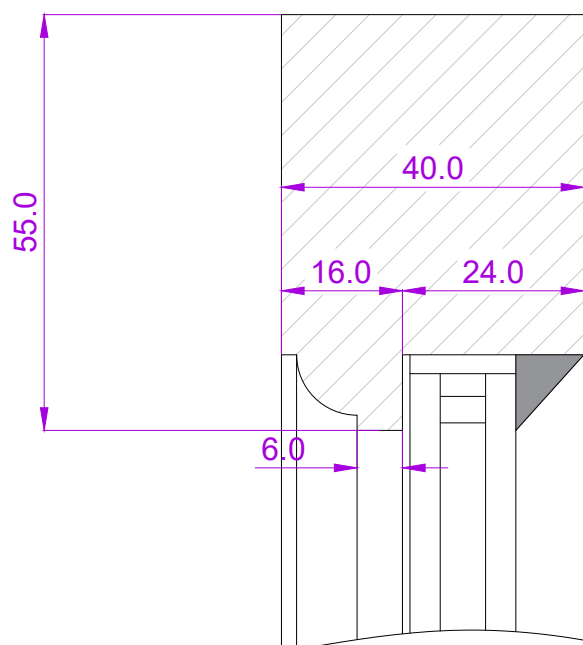
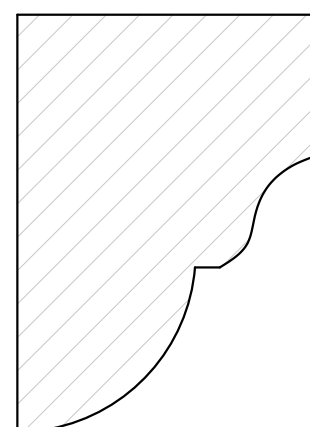


SCALE 1 : 1 ON A3

SASH HEAD DETAILS

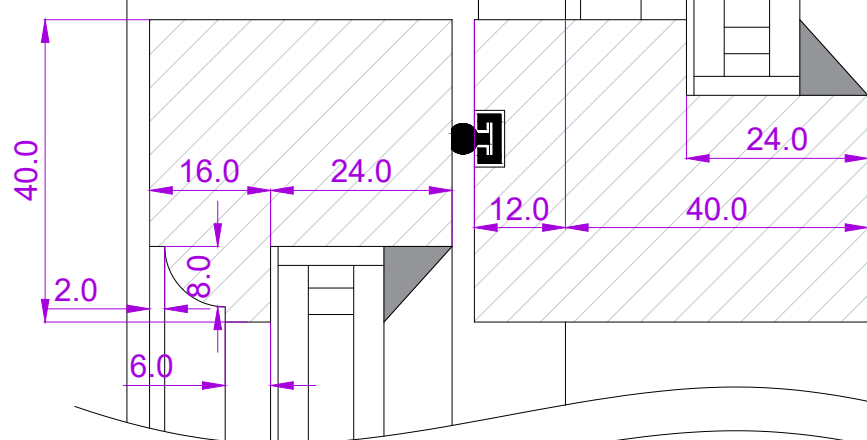


TOP SASH HORN DETAIL

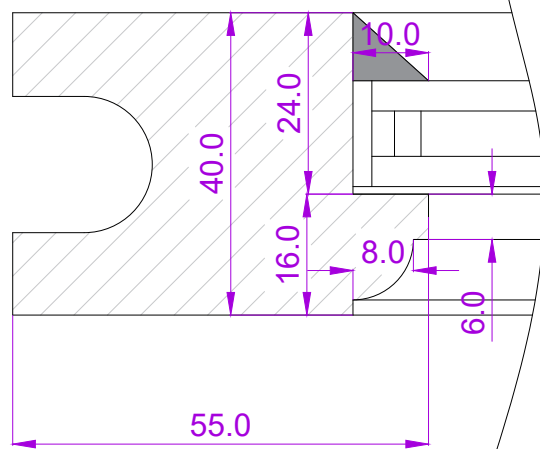


TEMPLATE WAS TAKEN FROM THE ORIGINAL WINDOW TO ASSURE CLOSE MATCH.

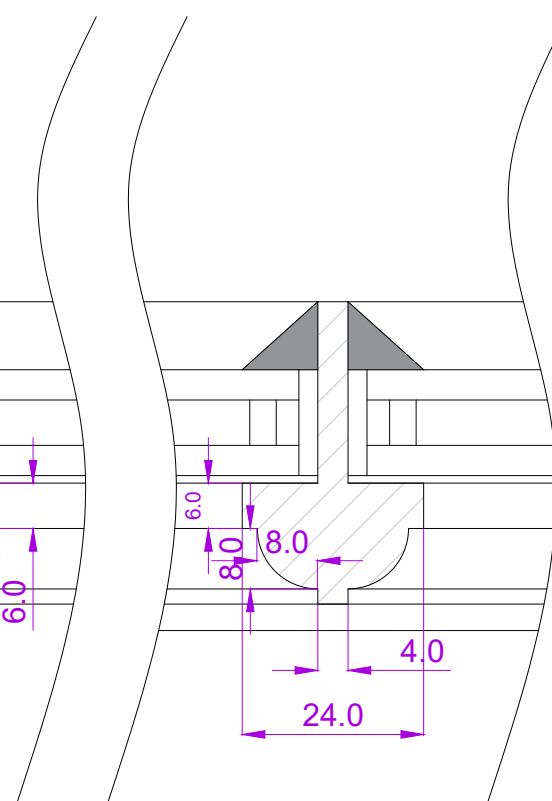
MID RAIL DETAILS



SASH STILE DETAILS



GLAZING BAR DETAILS



BOTTOM RAIL DETAILS

