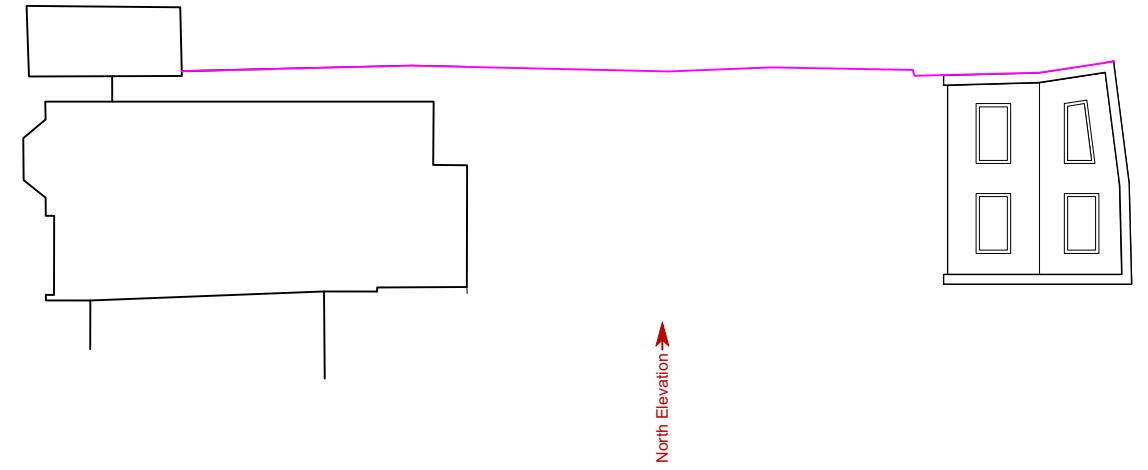


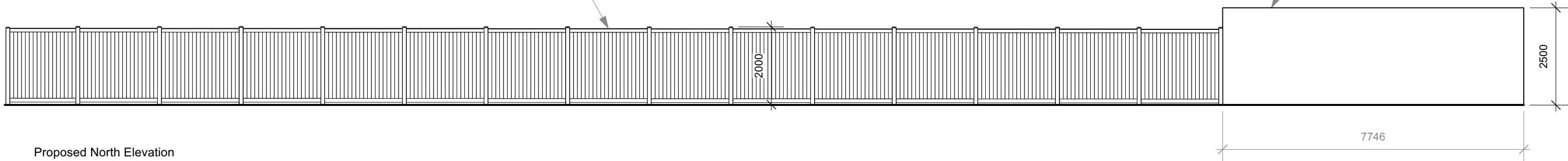
**15 Crediton Hill\_Proposed\_A1**



2m high new timber fencing in place of existing

Proposed outbuilding.

White render finish



Proposed North Elevation



**[BrobyDNA]**

Phone UK: +44 7979941113  
Phone DK: +45 41119158  
Email: info@BrobyDNA.com

Project Title: 15 Crediton Hill  
Date: 03/10/2022

Detail: Proposed North Elevation  
Drawing No.: CH\_PP\_GE\_North\_RevB\_A1

Issue/Revision: 01/Rev B  
CAD File:

Drawn By: MXB  
Scale: 1:100 @ A3

This drawing is the property of Max Broby and BrobyDNA LTD. Copyright is reserved and this drawing is issued on the condition that it is not copied, reproduced, retained or disclosed to any unauthorised person, either wholly or in part, without our consent. Do not scale from this drawing, check all dimensions on site.