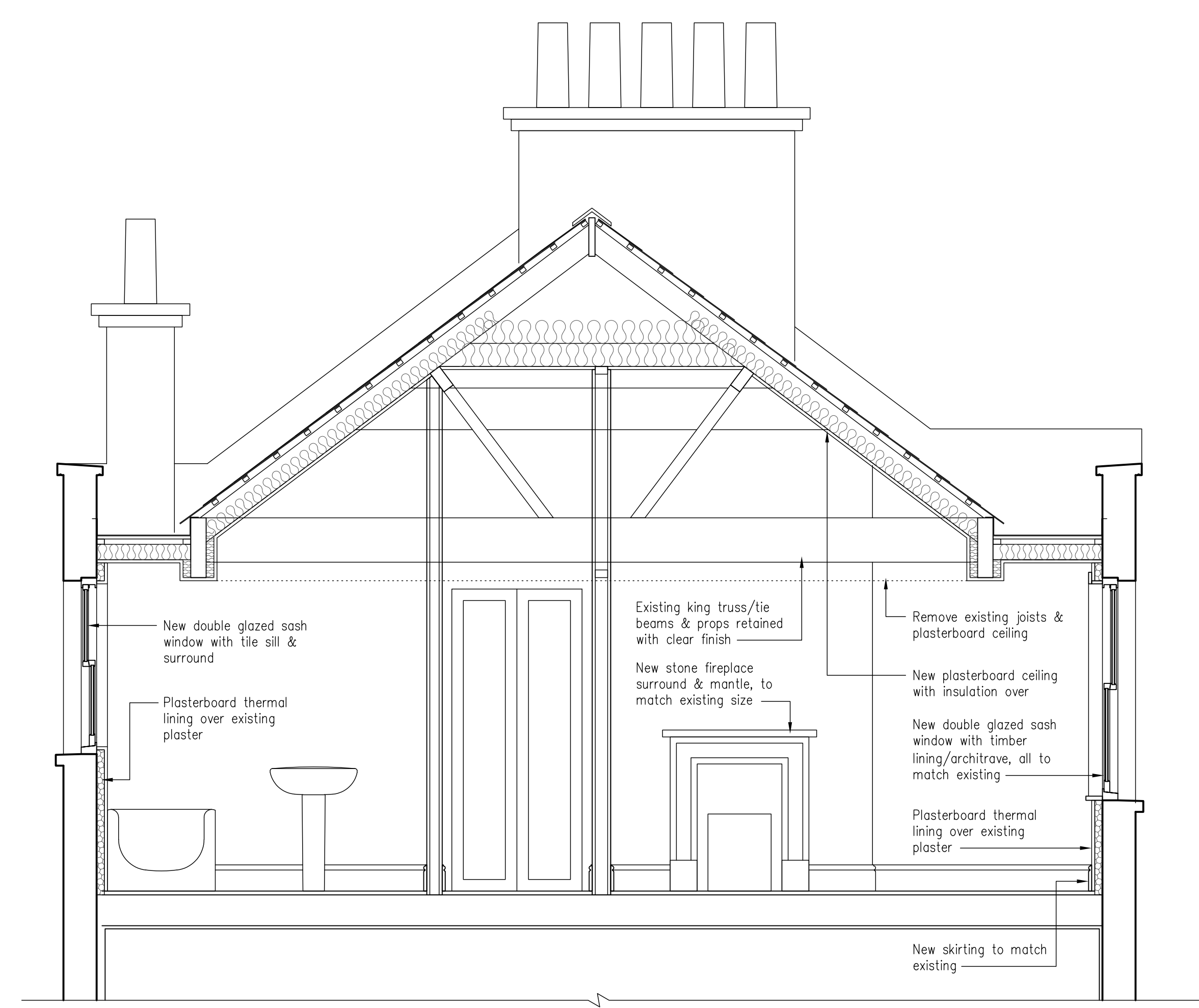
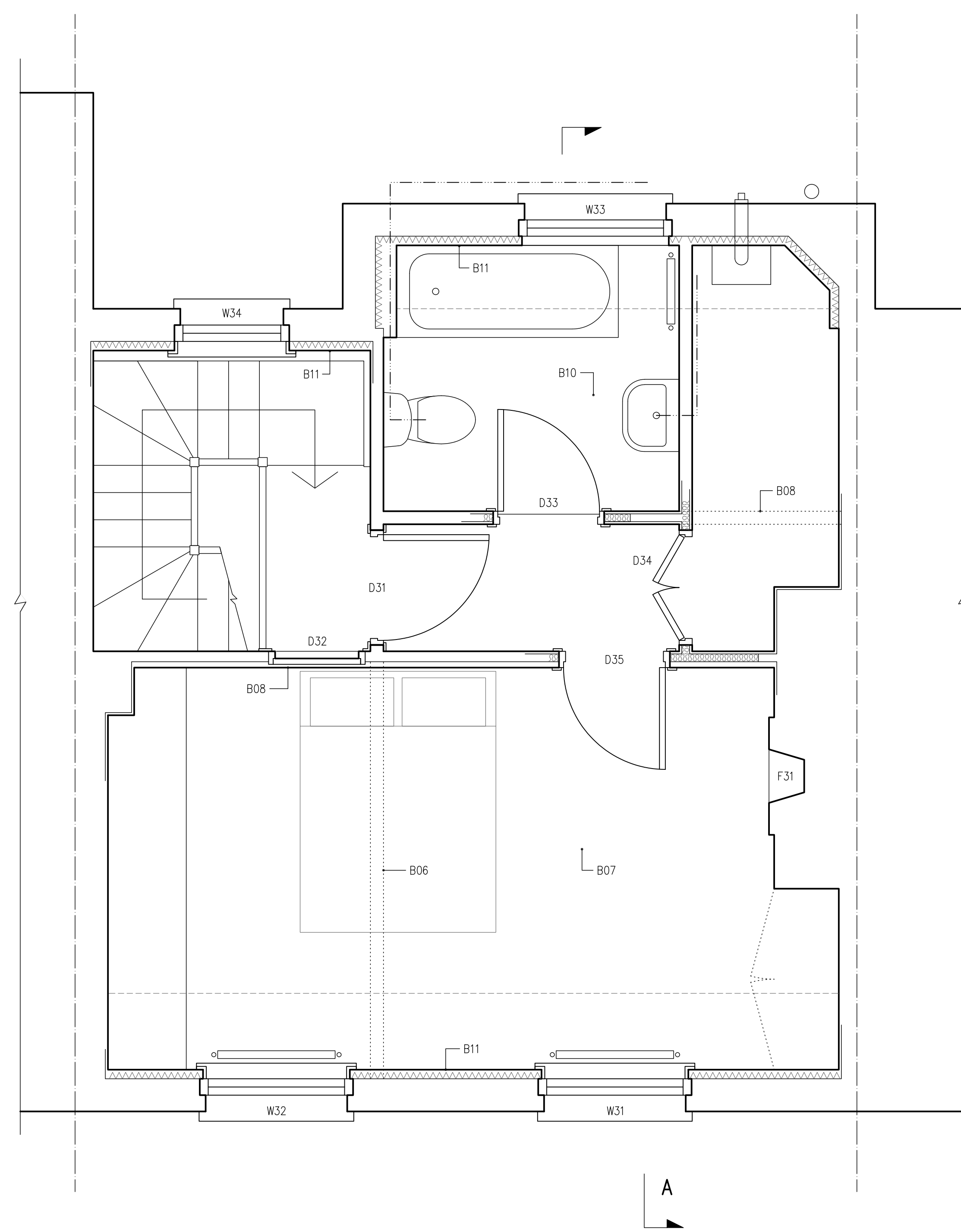
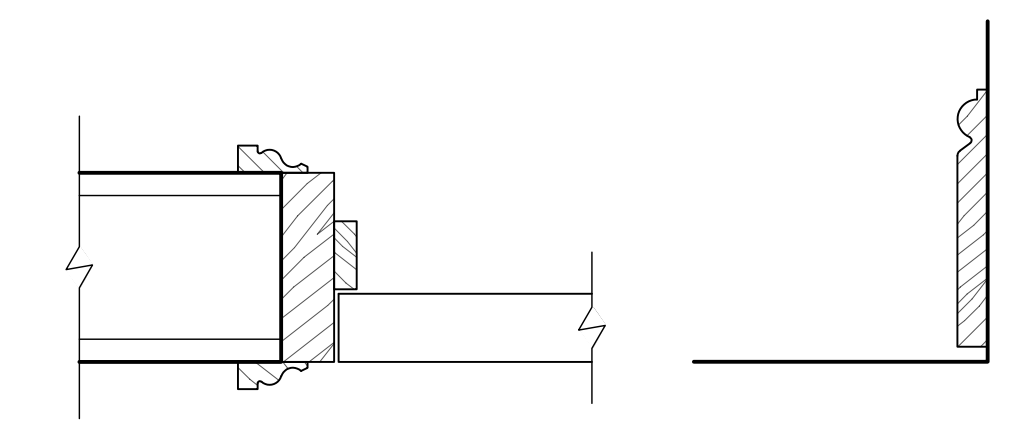
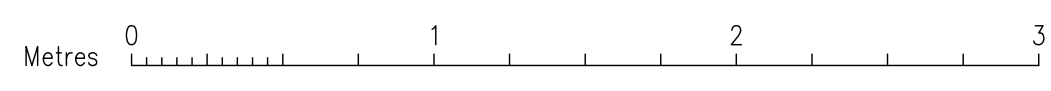


Notes:
 Copyright belongs to M A King Plans
 Linear dimensions are in millimetres
 Levels are in metres
 All dimensions to be checked on site



Section A



Architrave & Skirting Detail
 Scale 1/2 @ A1

M A King Plans
 2A Theobalds Road
 London WC1X 8PN
 07976 603076
 makingplans@btopenworld.com

Project
 19 Great Ormond Street
 London
 WC1N 3JB

Title
 Third Floor Plan & Section
 As Proposed

Drawn/Checked	mak
Date	August 2022
Scale	1/25 @ A1, 1/50 @ A3
Project Number	CC19GOS
Drawing No/Revision	A0313 -