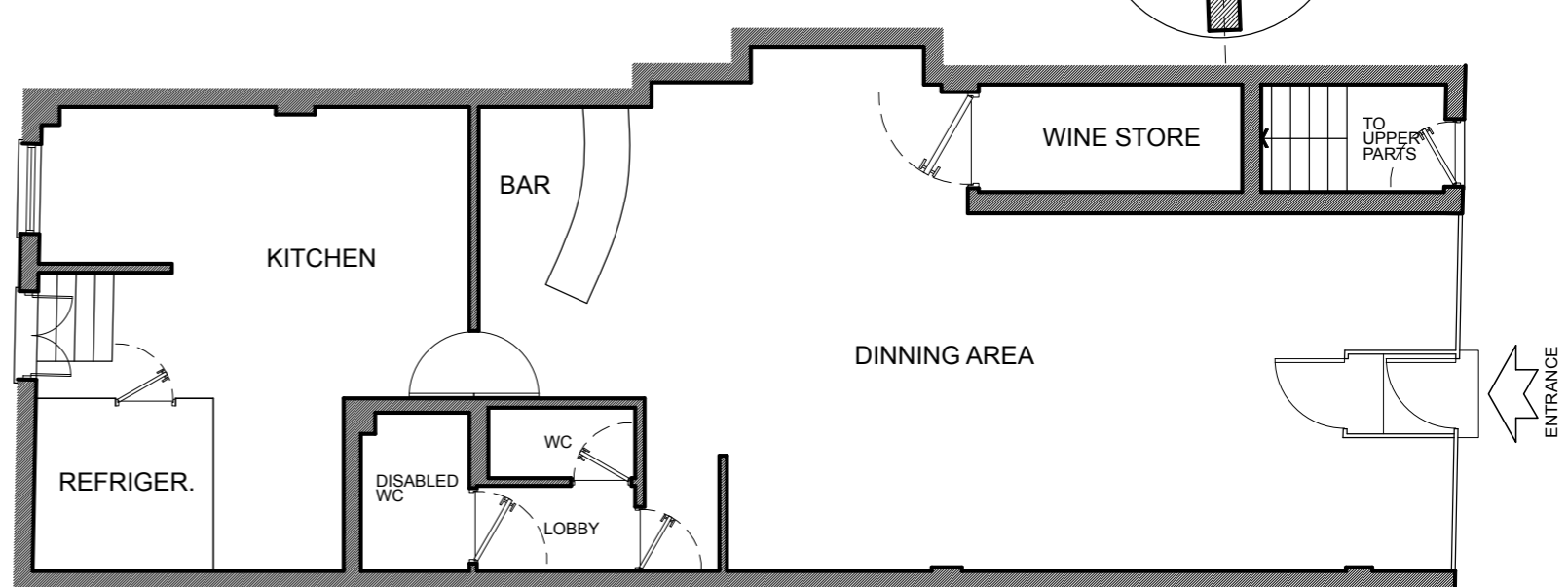
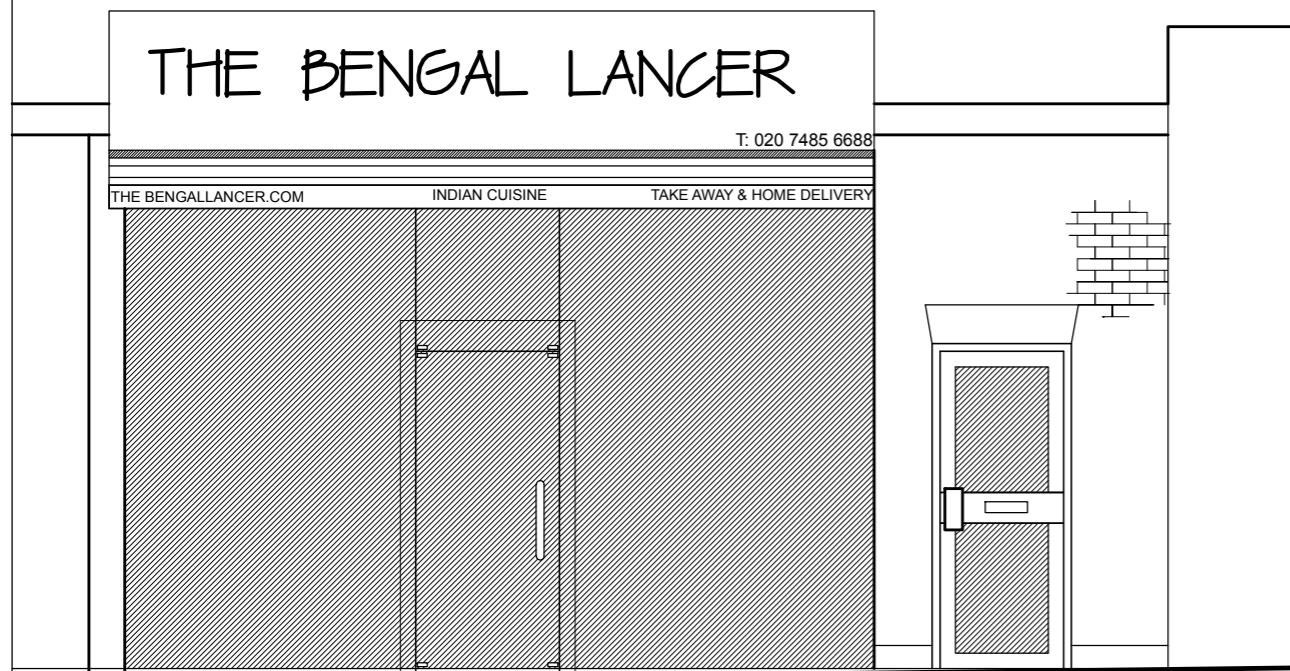
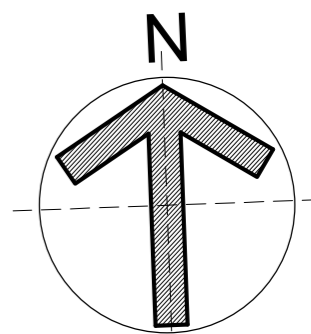


0 1 2 3 4 5m

SCALE 1:50
WHEN PRINTED ON A3 SIZE PAPER

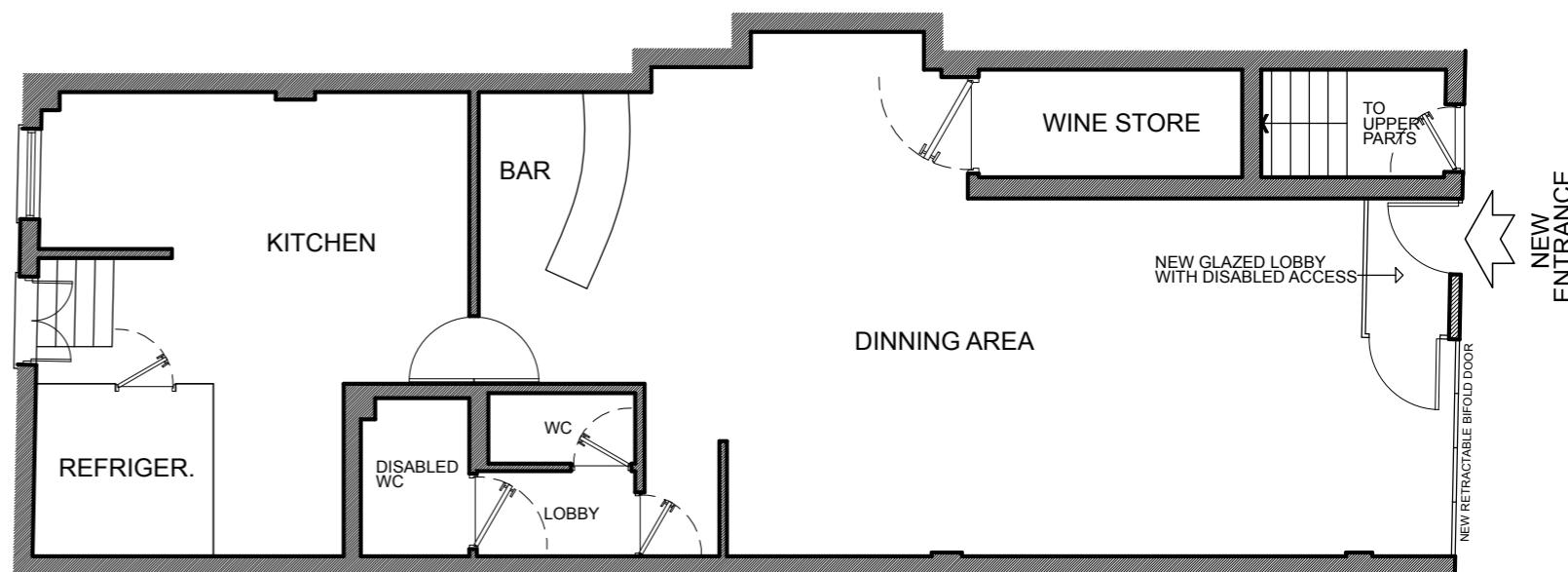
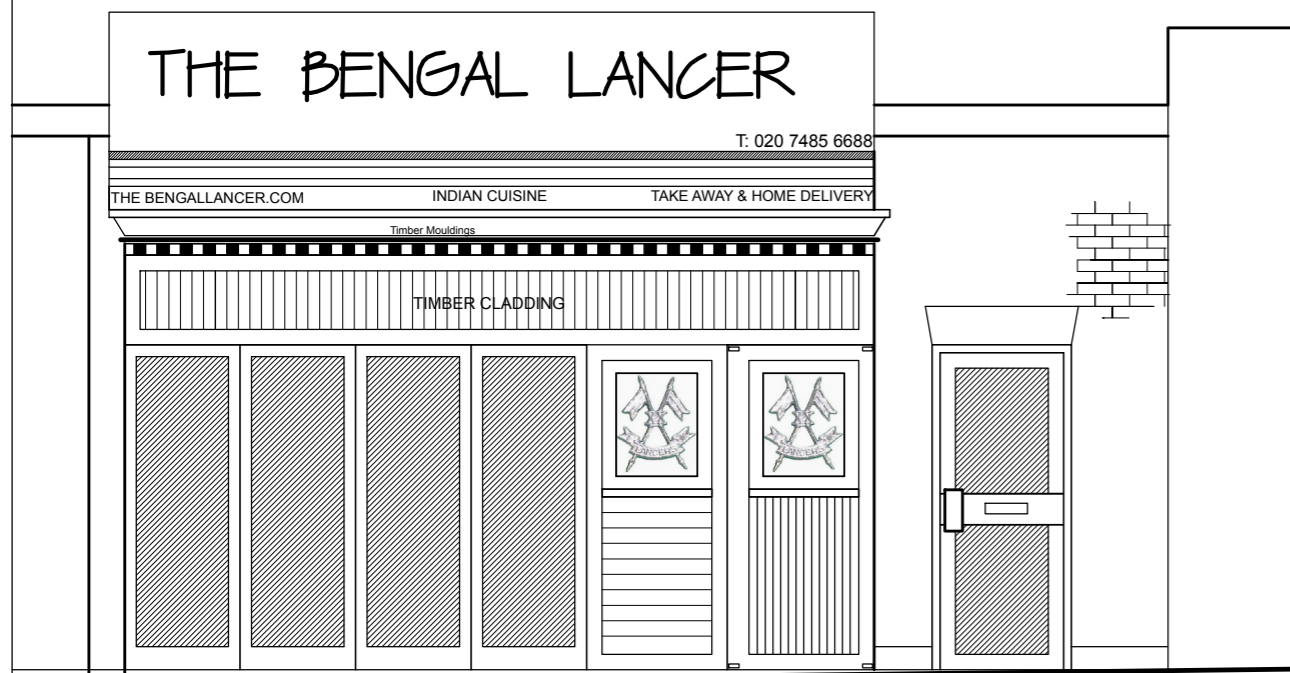
0 2 4 6 8 10m

SCALE 1:100
WHEN PRINTED ON A3 SIZE PAPER



GROUND FLOOR PLAN - EXISTING
SCALE 1:100

SHOP FRONT - EXISTING
SCALE 1:50



GROUND FLOOR PLAN - PROPOSED
SCALE 1:100

SHOP FRONT - PROPOSED
SCALE 1:50

HOME AND OFFICE
CHARTERED ARCHITECTS - PLANNERS

STUDIO: 39 FORESTDALE, SOUTHGATE, LONDON N14 7DY
T:07561 100080 F:020 8351 0026 Em: homearchitect@btinternet.com

ARCHITECT:
MICHAEL HAPESHIS
BA(Hon's), DipArch(Hon's), RIBA, ARB, ETEK

DRAWING TITLE
**EXISTING AND PROPOSED PLAN
AND SHOP FRONT**

PROJECT TITLE / CLIENT
**THE BENGAL LANCER
RELOCATION OF ENTRANCE / SHOP FRONT
253 KENTISH TOWN ROAD, LONDON NW5 2JT**

CLIENT:
AKRAM ALI, Esq

Job No:

CI/SfB
10=1

Scale
1:50 FOR ELEVATIONS / 1:100 FOR PLANS

DATE
23.08.2022

DRAWING NO

101

REVISION SUFFIX

DRAWN
MPH

CHECKED
M.HAPESHIS