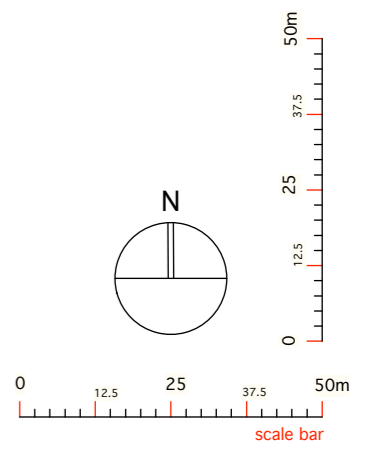


key:
— denotes site boundary



©Crown Copyright and database rights 2022 OS Licence no. AC0000849896

rev	date	notes
P1	27/09/22	issued for planning

dimensions are not to be scaled from this drawing. this drawing is based on current available information and should not be relied on as accurate measurements of usable space. the contractor is responsible for checking all dimensions on site.

this drawing is property of A2studio ltd. and copyright is reserved by them. the drawing is issued on condition that it is not copied or disclosed by or to any unauthorised persons without the prior consent in writing of A2studio ltd.

A2studio 106-108 high street, london N8 7NT T 020 7998 9066 E info@a2studio.co.uk		project 37 fitzroy road london NW1 8TP		
title site location map				
issue planning	scale 1:1250 @ A3	date 27.09.2022	drw no FHK A-000	rev P1