

Project  
**62 HILLFIELD COURT,  
 NW3 4BG**

Prepared for  
**Mr Jeong Cheol Bae**

**HMJK**

85 Great Portland Street  
 First Floor  
 London  
 W1W 7LT

All reproduction & intellectual property rights reserved © 2022

Do not scale dimensions from drawings  
 Site verify all dimensions prior to construction  
 Report all discrepancies to HMJK immediately  
 This drawing is to be read in conjunction with all relevant documents and drawings  
 This drawing is not for the construction

Rev.	Description	Date
01	Planning Submission	2022/06/23

Drawn by: JK Reviewed by: HMJK  
 Approved by: HMJK Scale @A3: 1:100  
 Project No **2203HC**

Sheet Title:  
**PROPOSED  
 ELEVATION 1**

Original drawing is A3. Do not scale this drawing.  
 Sheet Number:  
**A320**  
 Status: Revision: **01**



**WINDOW 2**  
 MATCHING WINDOW  
 ABOVE AND BELOW  
 DOUBLE GLAZING  
 ALUMINIUM  
 FRAMED

**WINDOW 1**  
 MATCHING WINDOW  
 ABOVE AND BELOW  
 DOUBLE GLAZING  
 ALUMINIUM  
 FRAMED

15/08/2022 13:05:14



Ground Floor  
 0

Project  
**62 HILLFIELD COURT,  
 NW3 4BG**

Prepared for  
**Mr Jeong Cheol Bae**

**HMJK**

85 Great Portland Street  
 First Floor  
 London  
 W1W 7LT

All reproduction & intellectual property rights reserved © 2022

Do not scale dimensions from drawings  
 Site verify all dimensions prior to construction  
 Report all discrepancies to HMJK immediately  
 This drawing is to be read in conjunction with all relevant documents and drawings  
 This drawing is not for the construction

Rev.	Description	Date
01	Planning Submission	2022/06/23

Drawn by: JK      Reviewed by: HMJK  
 Approved by: Approver Scale @A3: 1 : 100  
 Project No **2203HC**

Sheet Title:  
**PROPOSED  
 ELEVATIONS 2**

Original drawing is A3. Do not scale this drawing.  
 Sheet Number:  
**A321**  
 Status:      Revision: **01**

**WINDOW 6**  
 MATCHING WINDOW  
 ABOVE AND BELOW  
 DOUBLE GLAZING  
 ALUMINIUM  
 FRAMED  
 (FROSTED)

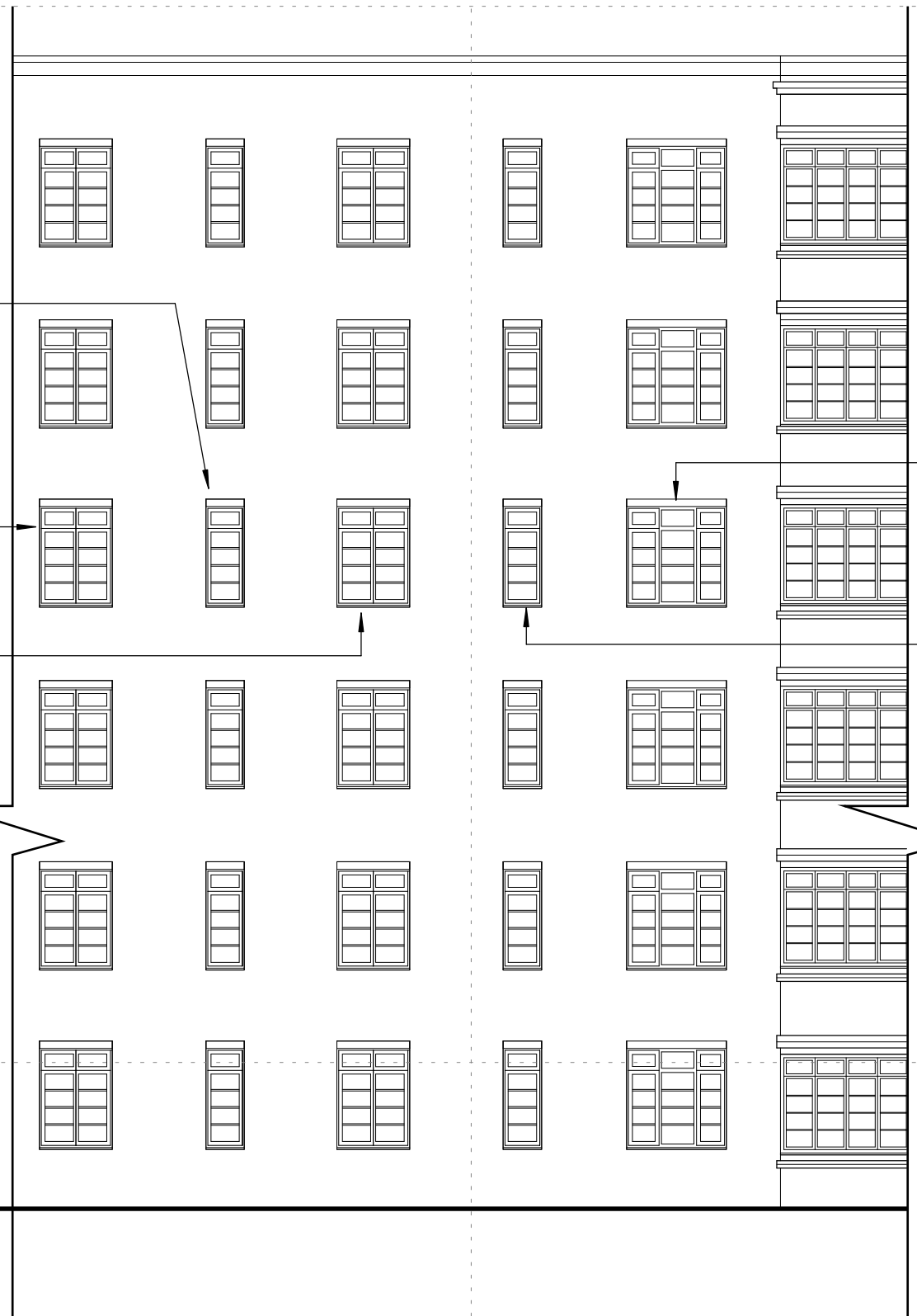
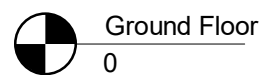
**WINDOW 7**  
 MATCHING WINDOW  
 ABOVE AND BELOW  
 DOUBLE GLAZING  
 ALUMINIUM  
 FRAMED

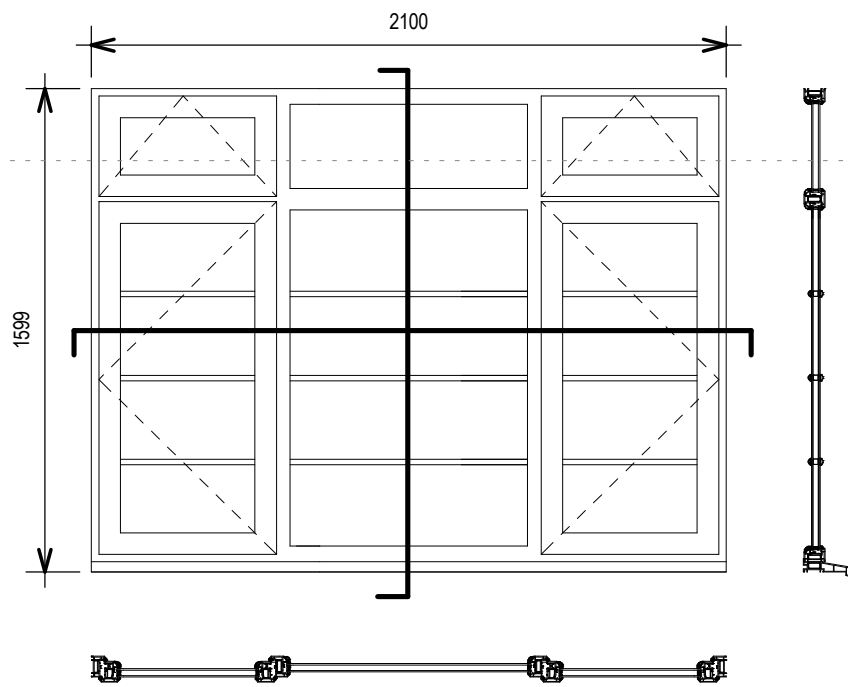
**WINDOW 5**  
 MATCHING WINDOW  
 ABOVE AND BELOW  
 DOUBLE GLAZING  
 ALUMINIUM  
 FRAMED

**WINDOW 3**  
 MATCHING WINDOW  
 ABOVE AND BELOW  
 DOUBLE GLAZING  
 ALUMINIUM  
 FRAMED

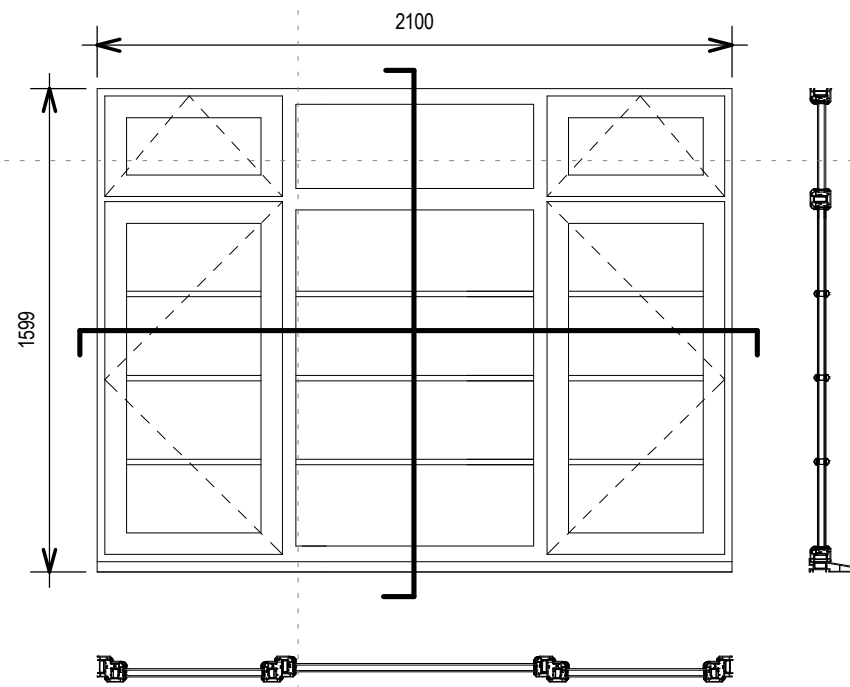
**WINDOW 4**  
 MATCHING WINDOW  
 ABOVE AND BELOW  
 DOUBLE GLAZING  
 ALUMINIUM  
 FRAMED  
 (FROSTED)

15/08/2022 13:05:14

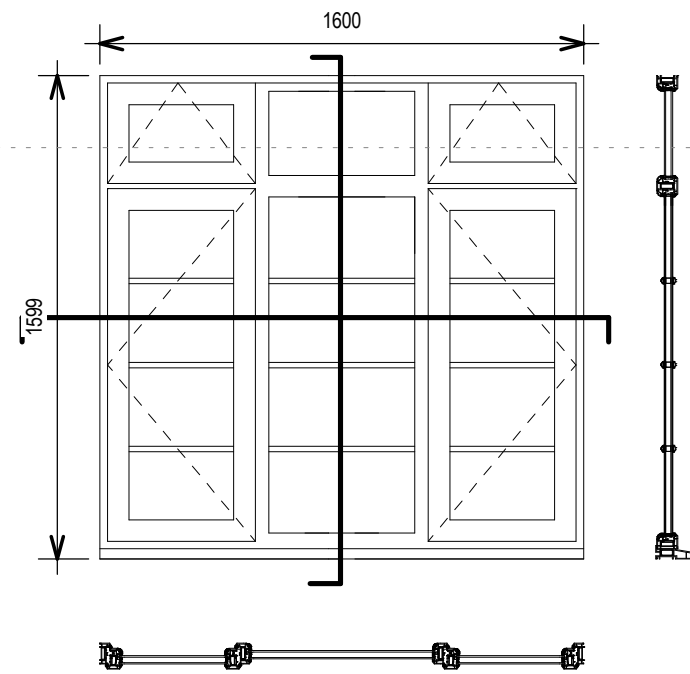




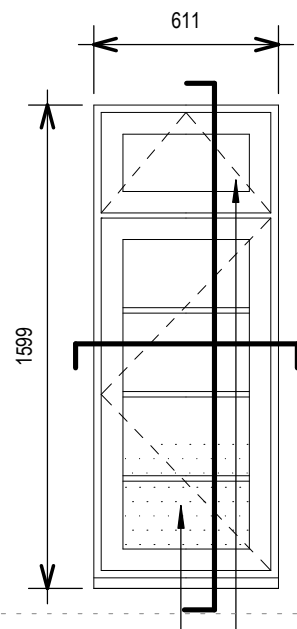
WINDOW 1 - WINDOW TYPE A



WINDOW 2 - WINDOW TYPE A

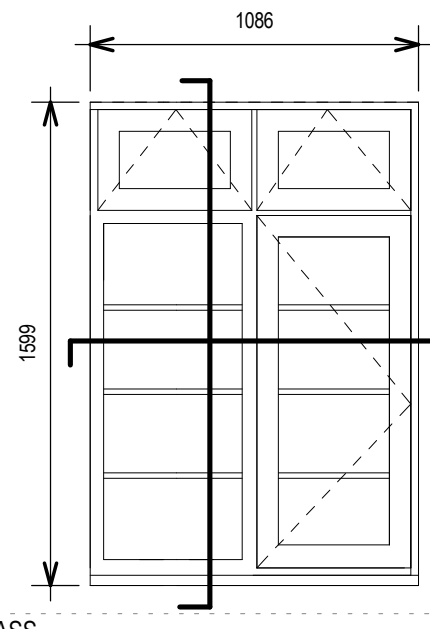


WINDOW 3 - WINDOW TYPE B

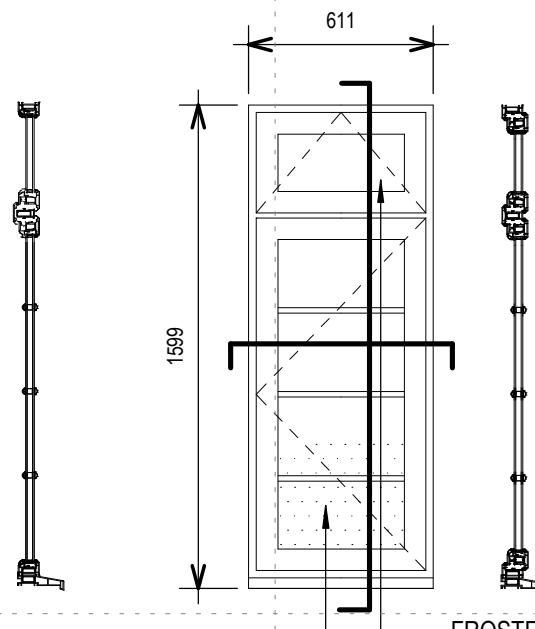


WINDOW 4 - WINDOW TYPE C

FROSTED GLASS

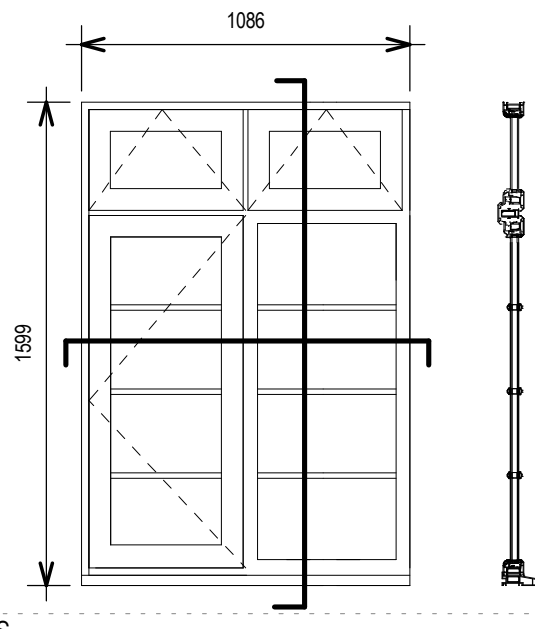


WINDOW 5 - WINDOW TYPE D



WINDOW 6 - WINDOW TYPE C

FROSTED GLASS



WINDOW 7 - WINDOW TYPE E

Project  
62 HILLFIELD COURT,  
NW3 4BG

Prepared for  
Mr Jeong Cheol Bae

**HMJK**

85 Great Portland Street  
First Floor  
London  
W1W 7LT

All reproduction & intellectual property rights reserved © 2022

Do not scale dimensions from drawings  
Site verify all dimensions prior to construction  
Report all discrepancies to HMJK  
immediately  
This drawing is to be read in conjunction with  
all relevant documents and drawings  
This drawing is not for the construction

Rev.	Description	Date
01	Planning Submission	2022/06/23

Drawn by: HMJK Reviewed by: HMJK  
Approved by: HMJK Scale @A3: 1:25

Project No 2203HC

Sheet Title:

**WINDOW TYPE  
DRAWING**

Original drawing is A3. Do not scale this drawing.

Sheet Number:  
A901

Status: Revision: 01

SCALE 1:25



26/09/2022 21:42:59