

02/12/2020 17:17:34

THIS DRAWING AND THE INFORMATION IT CONTAINS ARE THE PROPERTY OF ARUP FACADE ENGINEERING.

DESIGN RISKS AND ASSUMPTIONS ARE PART OF THE CDM RISK REGISTER.

READ THIS DRAWING IN CONJUNCTION TO THE CDM RISK REGISTER.

THE DRAWING CONTENT REFLECTS THE DESIGN INTENT ONLY AND IS NOT FOR CONSTRUCTION.

NOTE: DIMENSIONS SHOWN ARE NOMINAL. TO BE VERIFIED BY SURVEY INFORMATION.

Rev	Date	By	Chkd	Appd
05	02.12.20			
04	20.07.20			
03	28.09.18			
02	15.05.18			
01	19.03.18			
00	26.02.18			

1- Elevation - Detailed Elevation

2- Section - Detailed Section

3- Section - Detailed Section

ELEVATION KEY

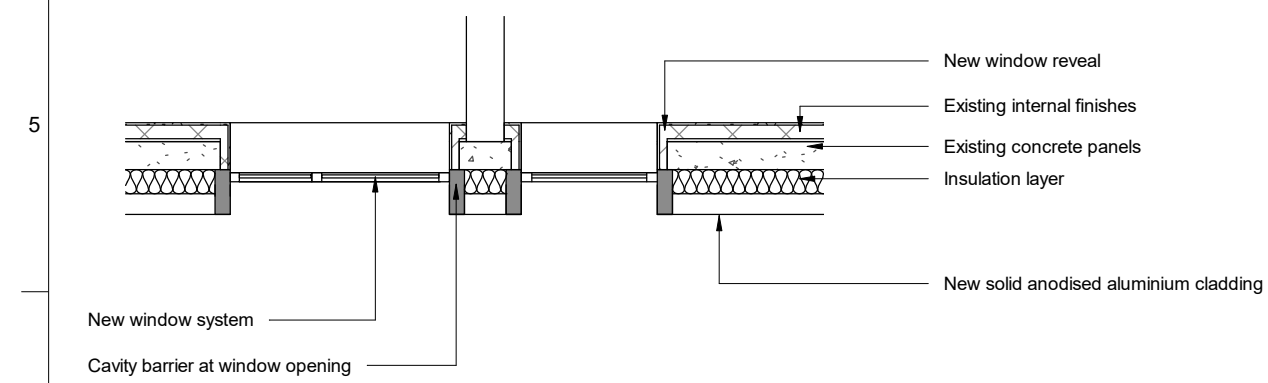
SPANDREL PANEL

ALUMINIUM CLADDING

Scale 1 : 50

Scale 1 : 50

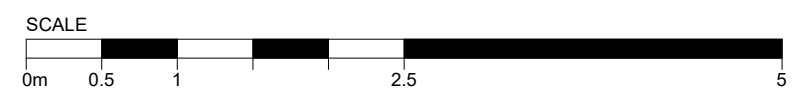
Scale 1 : 50



4- Plan - Detailed Plan

Scale 1 : 50

Please Note, Provided measurements for the proposed windows are nominal dimensions.



ARUP

13 Fitzroy Street, London, W1T 4BJ
Solithull, West Midlands B90 8AE
T +44(0)121 213 3000 F +44(0)121 213 3001
www.arup.com

Client
London Borough of Camden

Project Title
Chalcots Estate
London

Drawing Title
Bray, Burnham, Dorney, Taplow Towers
Approved Detailed Views
Sheet 01

Scale at A3 As indicated

Role Facade Engineering

Suitability Planning

Arup Job No **259493** Rev **05**

Name
259493-ARUP-T1-ZZ-DR-YC-5201