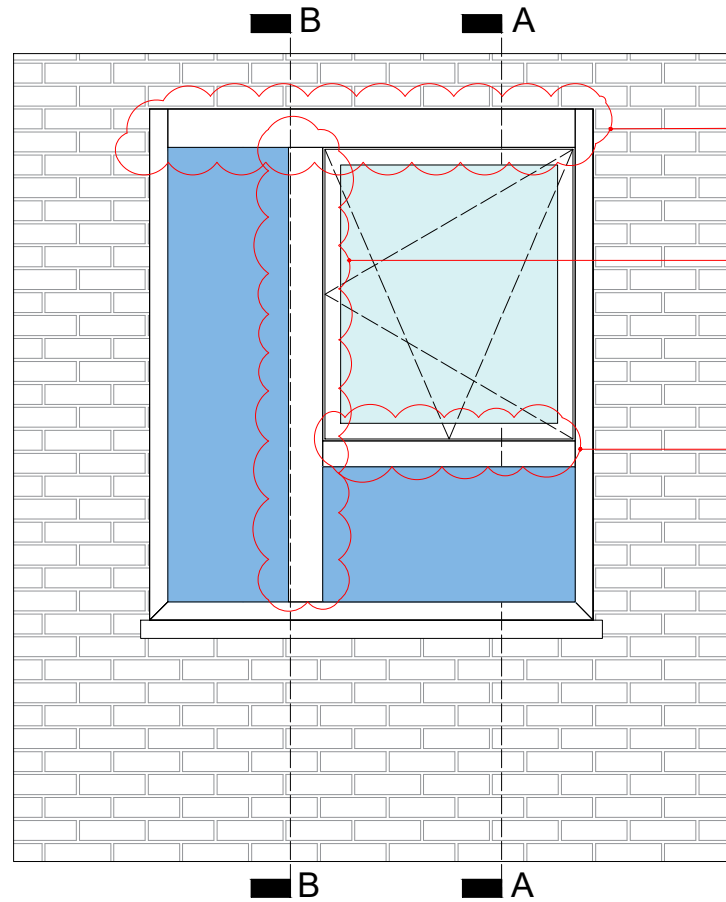
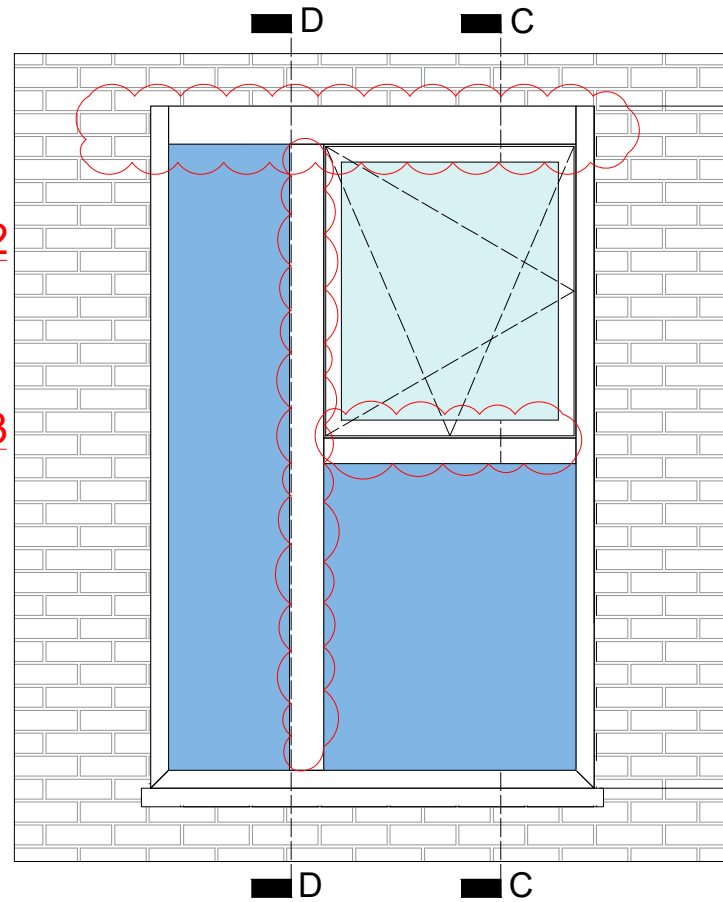


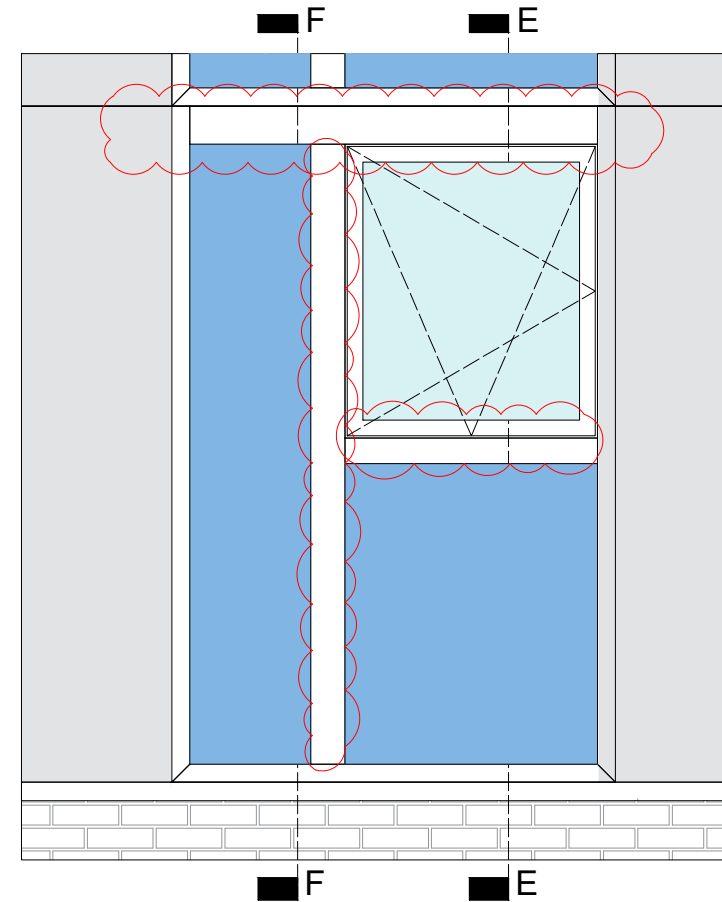
BEDROOM WINDOW AT GROUND FLOOR



BEDROOM WINDOW AT FLOOR 1



BEDROOM WINDOW AT FLOOR 2



THIS DRAWING AND THE INFORMATION IT CONTAINS ARE THE PROPERTY OF ARUP FACADE ENGINEERING.

DESIGN RISKS AND ASSUMPTIONS ARE PART OF THE CDM RISK REGISTER.

READ THIS DRAWING IN CONJUNCTION TO THE CDM RISK REGISTER.

THE DRAWING CONTENT REFLECTS THE DESIGN INTENT ONLY AND IS NOT FOR CONSTRUCTION.

NOTE: DIMENSIONS SHOWN ARE NOMINAL TO BE VERIFIED BY SURVEY INFORMATION.

SOPS TO BE CONFIRMED BY THE CONTRACTOR FOLLOWING THE SURVEYS.

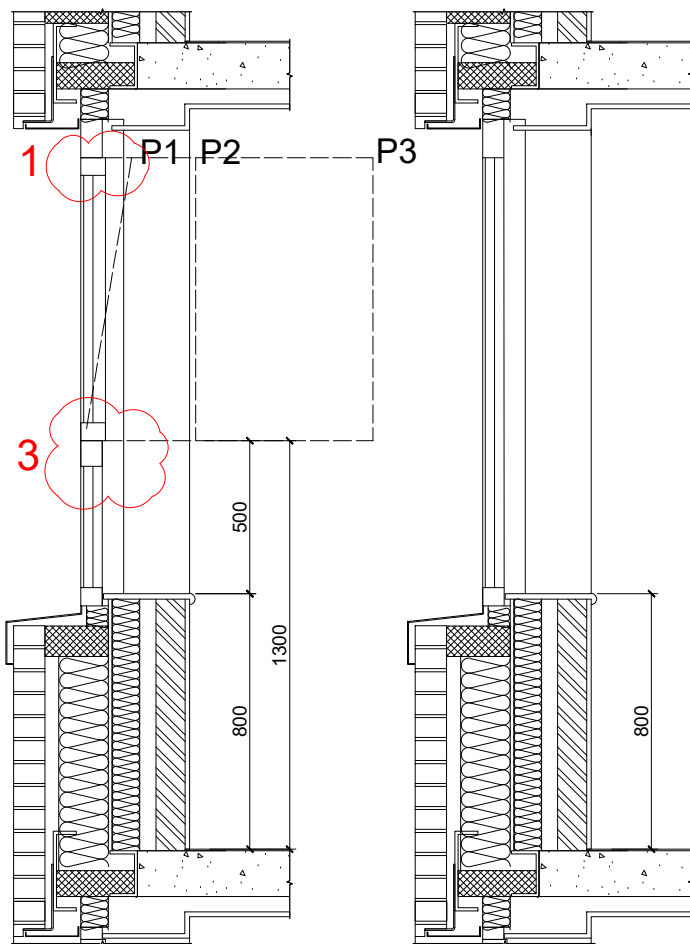


SOUTH ELEVATION

02	28/07/2022
----	------------

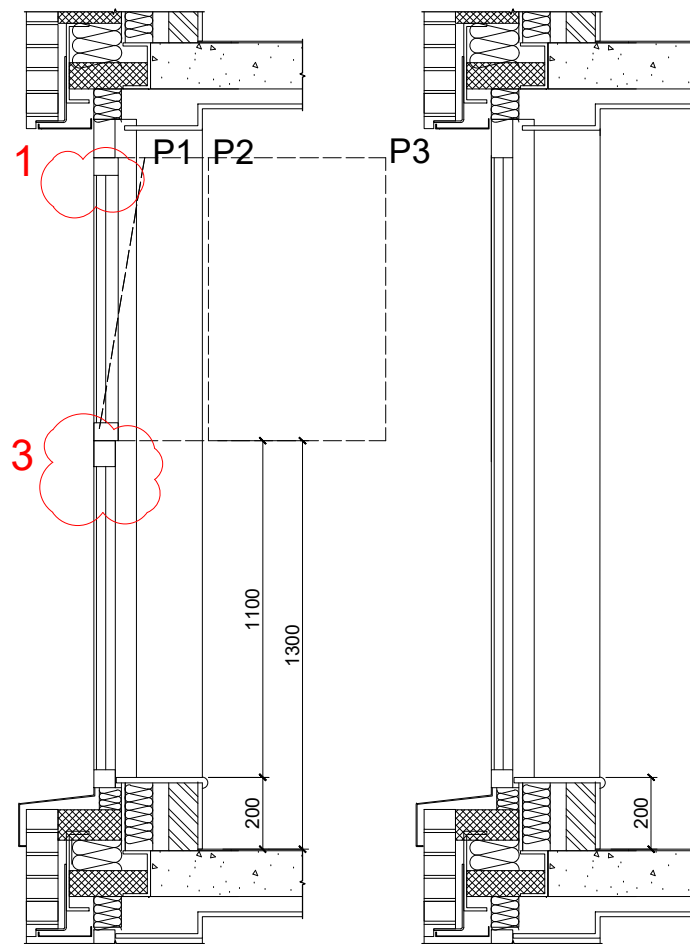
01	30/11/2020
----	------------

Rev	Date
-----	------



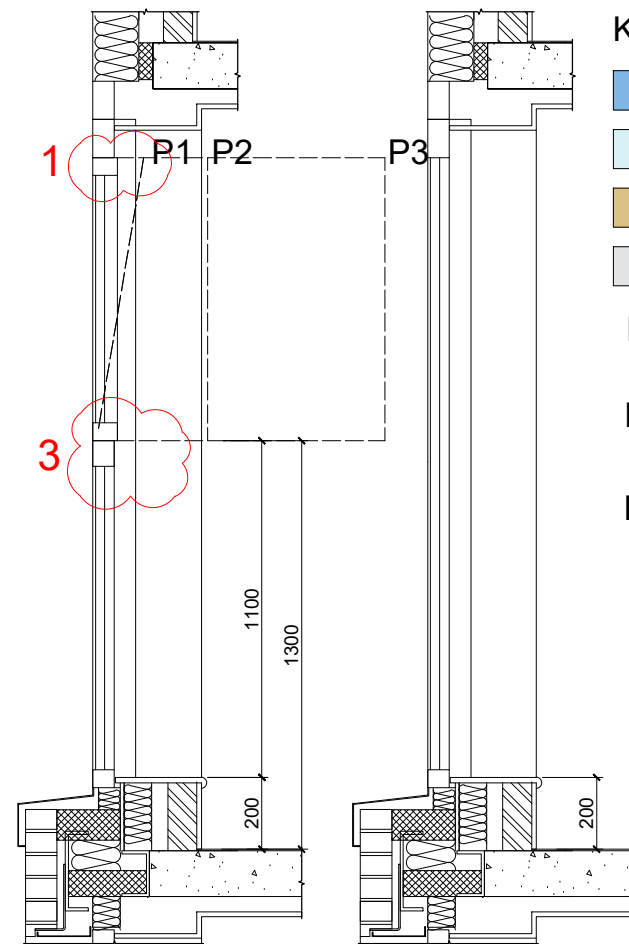
SECTION A-A

SECTION B-B



SECTION C-C

SECTION D-D



SECTION E-E

SECTION F-F

KEY

- Fixed glazing
- Window glazing
- Spandrel panel
- Rainscreen cladding

- P1** Opening position 1 - 100mm opening in tilt mode
- P2** Opening position 2 - 300mm opening in turn mode
- P3** Opening position 3 - 90° opening in turn mode

- 1** Top frame increased from 70mm to 125mm
- 2** Mullion increased from 70mm to 112mm
- 3** Transom increased from 70mm to 84mm

ARUP

8 Fitzroy Street
London W1T 4BJ
Tel +44 (0)20 7636 1531 Fax +44 (0)20 7580 3924
www.arup.com

Client
London Borough of Camden

Project Title
Bray, Burnham, Dorney, Taplow
Towers Major Works Project

Drawing Title
Bray, Burnham, Dorney and Taplow
Tower
Window System Options Diagram -
Podium level
Proposed -Type 1 (lowered sill level)

Scale at A3 1 : 25

Role FAÇADE ENGINEERING

Suitability Planning

Arup Job No
259493-00

Rev
02

Name
259493-ARUP-T0-ZZ-DR-YC-5250