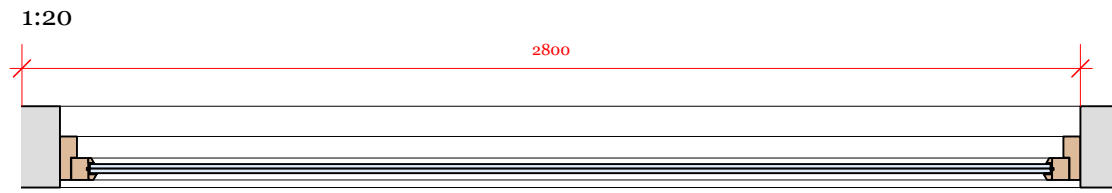


Doors & Frames:
Hardwood/ Sapele

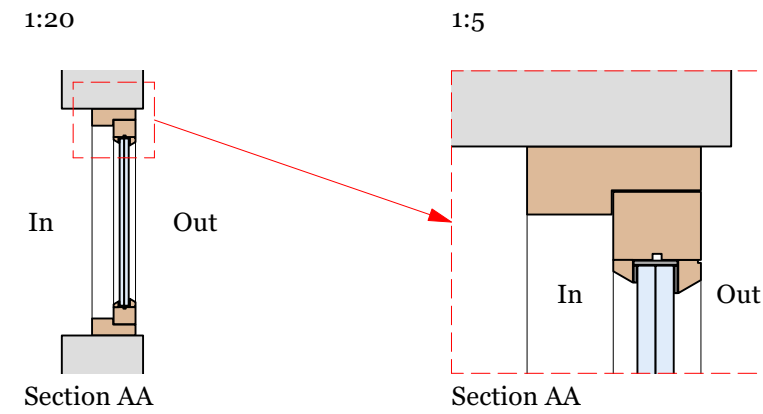
Glazing:
24mm double glazed toughened glass



Plan

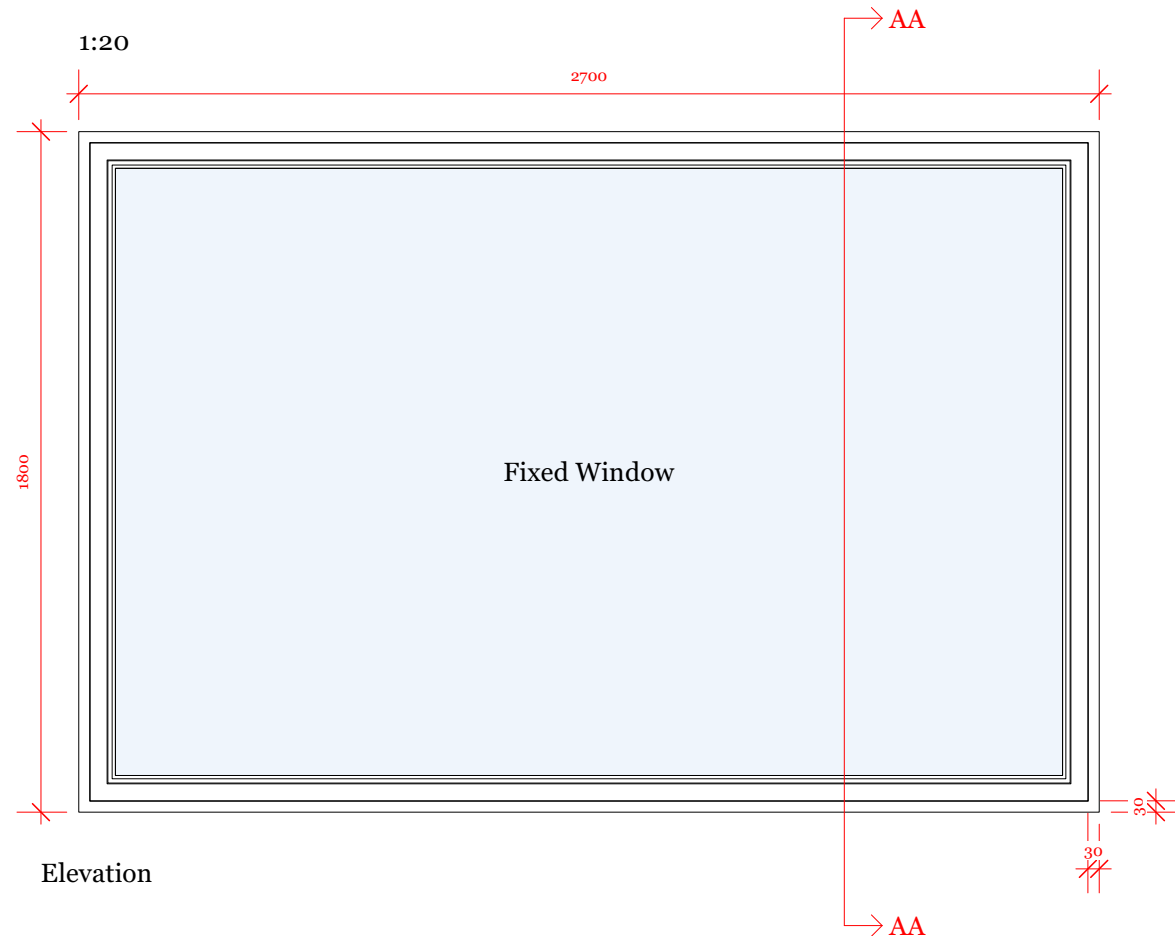


Elevation

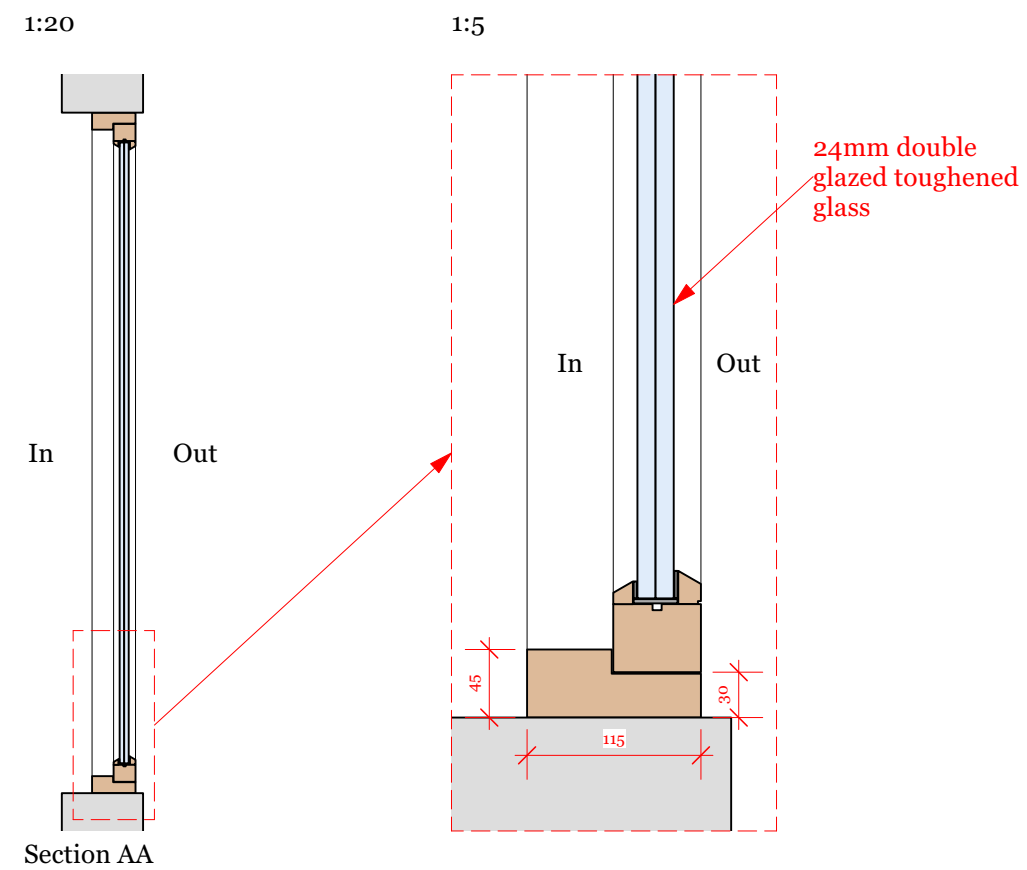


Section AA

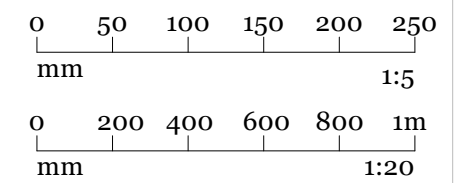
Section AA



Elevation



Section AA



Notes:
All dimensions to be checked on site prior to construction or fabrication of any element. Elements shown are for illustrative purposes only.

Address:
Flat 71, Westfield.

Drawing Number:
006_0001

Status: Planning
Date: 06.09.22
Scale: 1:20 & 1:5 @A3

Revision: -
Drawn By: Tim Serani on behalf of EL Joinery

Email:
Sh_Serani@hotmail.com

Phone:
07735353462