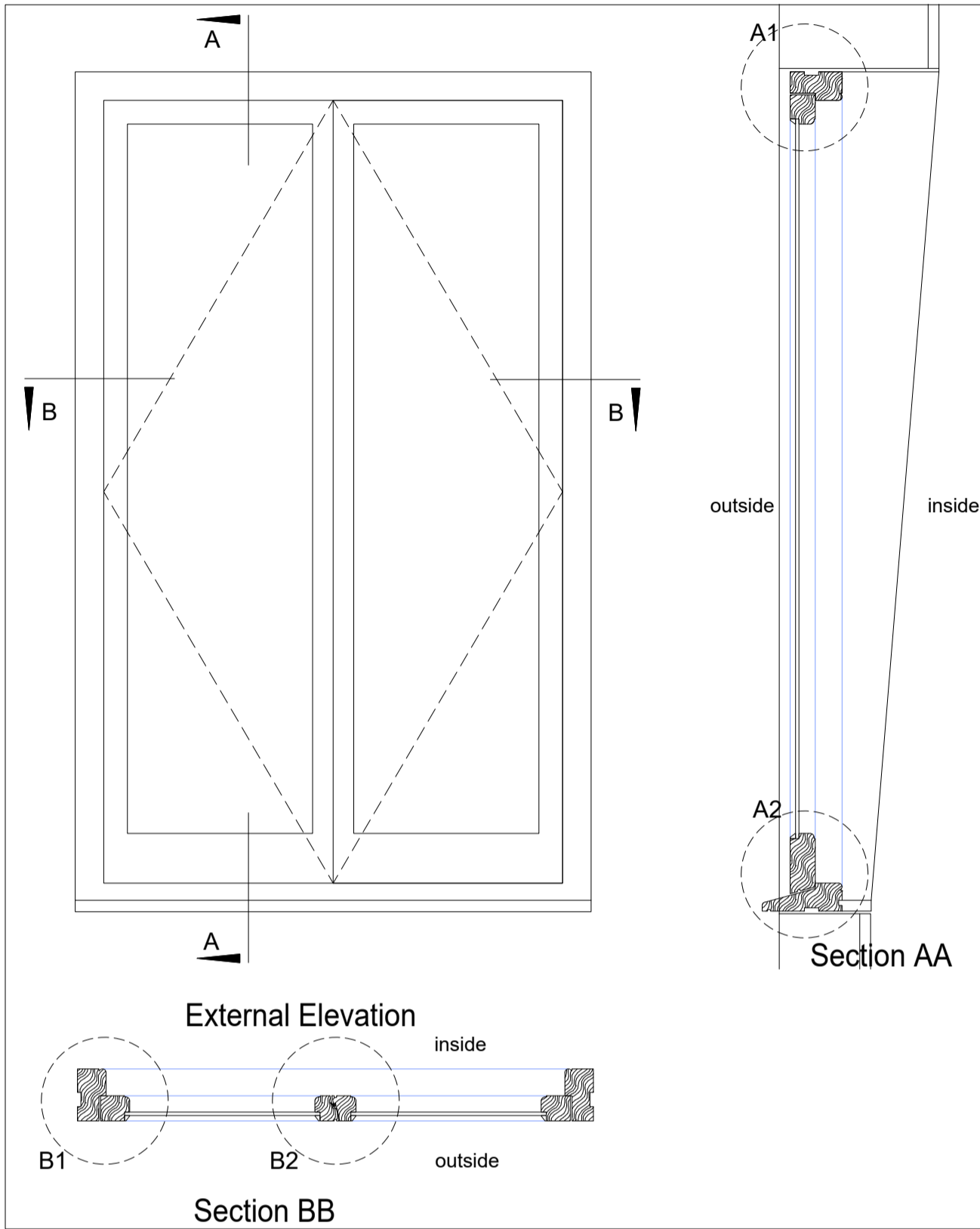


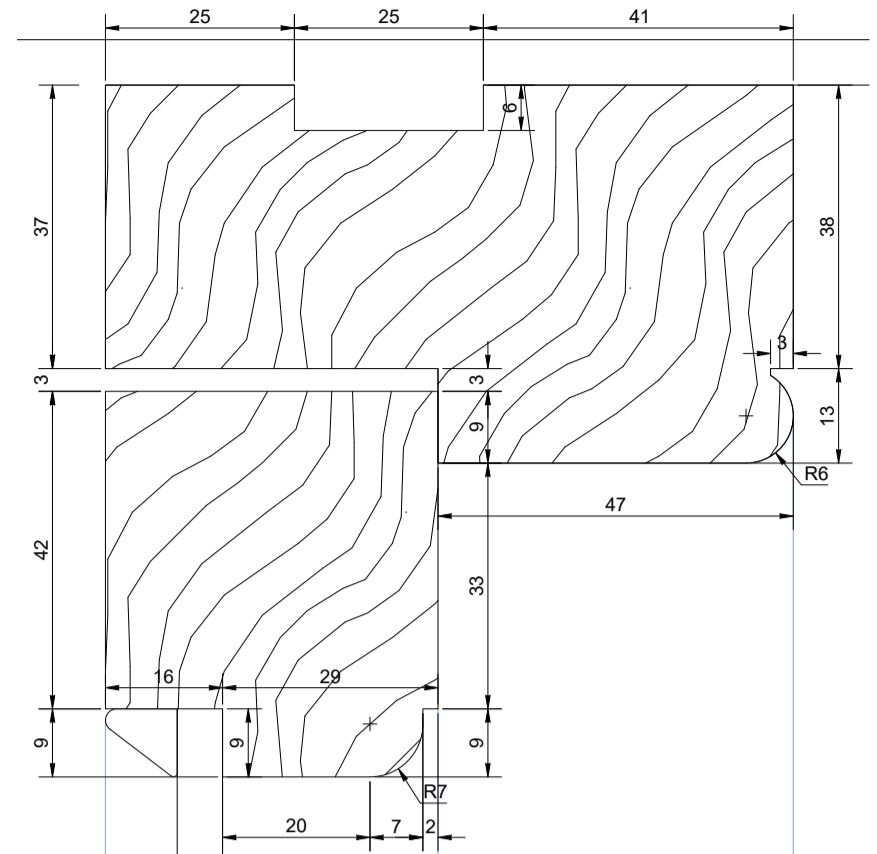
**NOTES:**

1. Glass to match the existing in weight and thickness.
2. Unless otherwise stated, joinery is to be in hardwood from a sustainable source.
3. All opening casements to be weatherstopped.
4. All dimensions to be checked on site prior to fabrication.
5. Cills to have min 30mm overhang unless agreed otherwise.

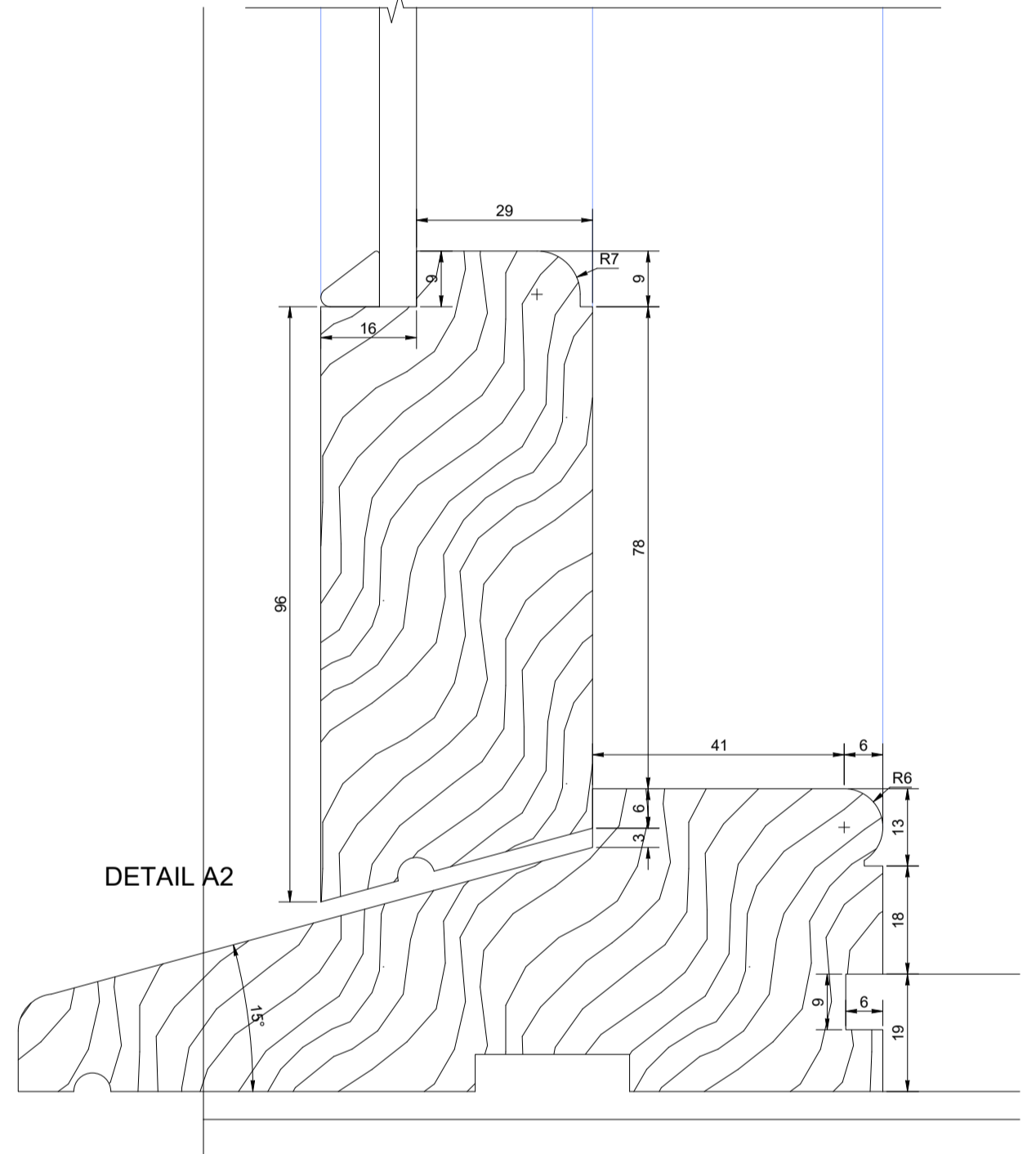


**KEY DRAWING - scale 1:10**

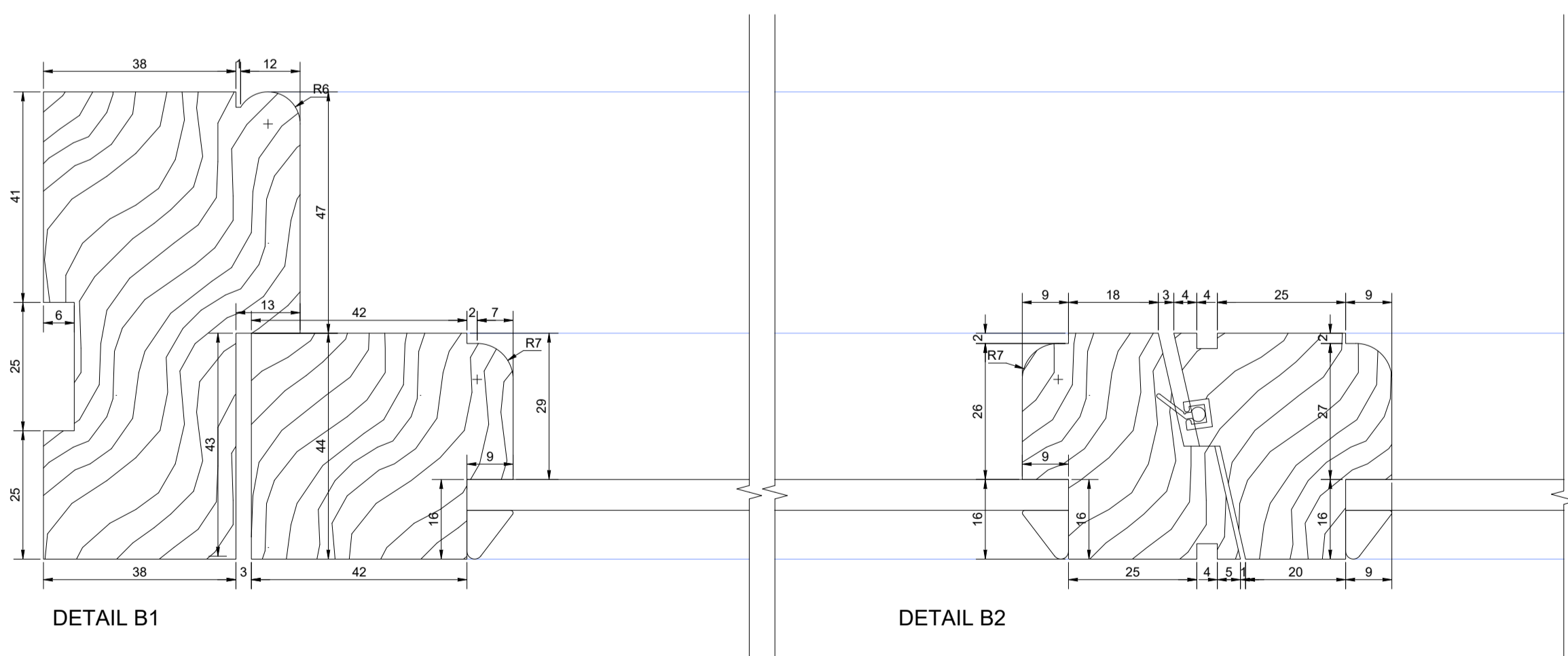
**DETAIL A1**



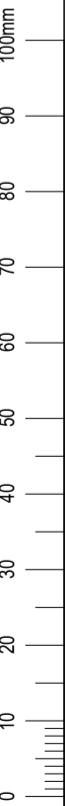
**DETAIL A2**



**VERTICAL SECTION DETAILS (full size)**



**HORIZONTAL SECTION DETAILS (full size)**



This drawing is the copyright of Patrick Howard Design Associates and may not be reproduced in whole or part without written permission. Contractors must verify all dimensions on site before setting out, commencing work or making any shop drawings & must not scale copies without verifications. Copyright (C)

REV	BRIEF DETAILS	DATE
-	initial issued	

**P.H.D. ASSOCIATES**  
 BRAEMAR HOUSE  
 WATER LANE  
 STANSTED, ESSEX  
 CM24 8BJ  
 TEL: 01279 817342  
 EMAIL: INFO@PHDASSOCIATES.CO.UK



Project  
**Oxford House Hostel,**  
 Tavistock Place, London  
 WC1H 9RE  
 Drawing  
**Joinery Details New casement  
 windows W3-05&6**

Date  
 18/08/2022  
 Drawn By  
 VM/ADC/SHD  
 Scale  
 1:1@A2  
 Drawing Number  
 2105/BC/J/106