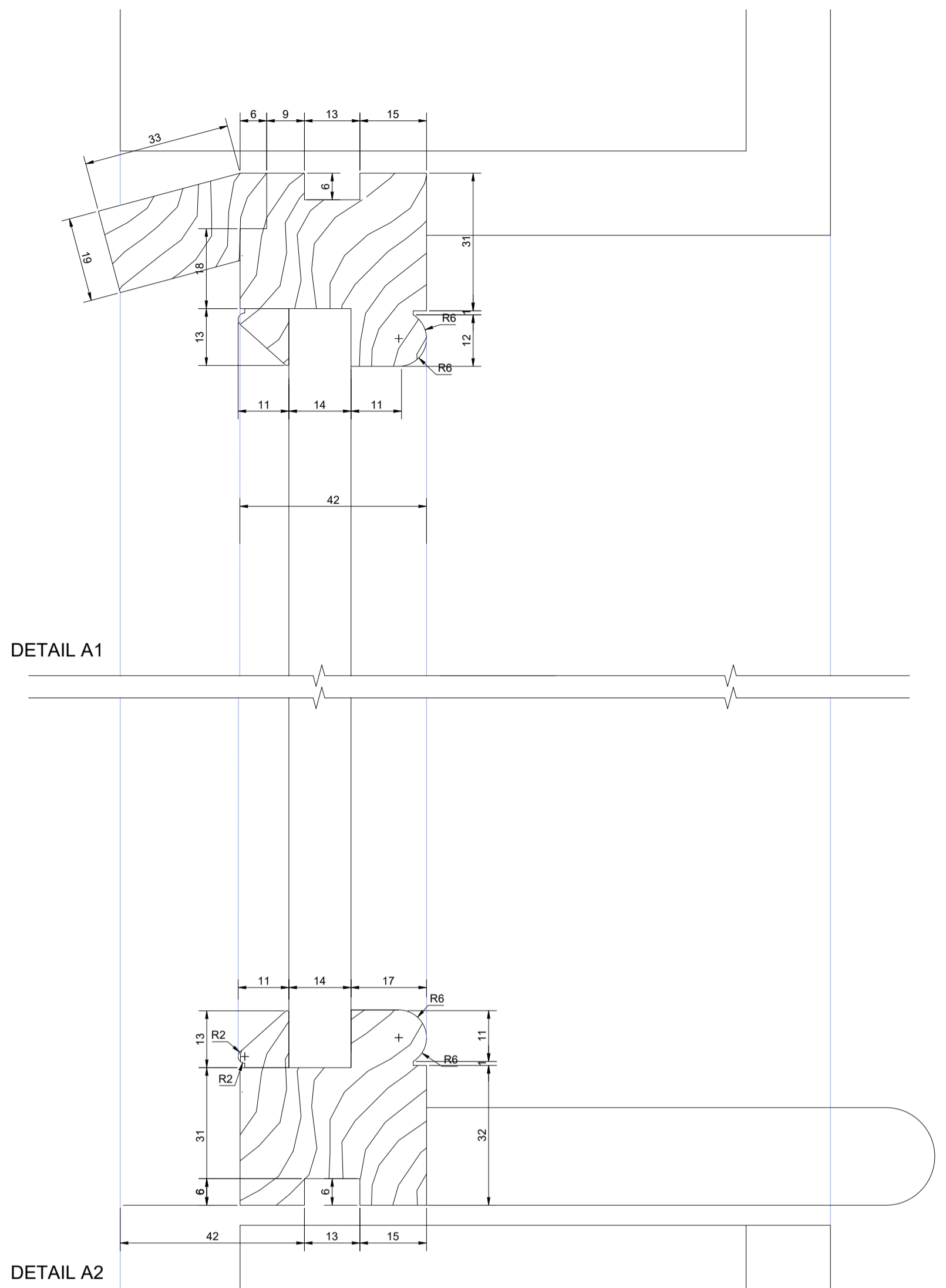
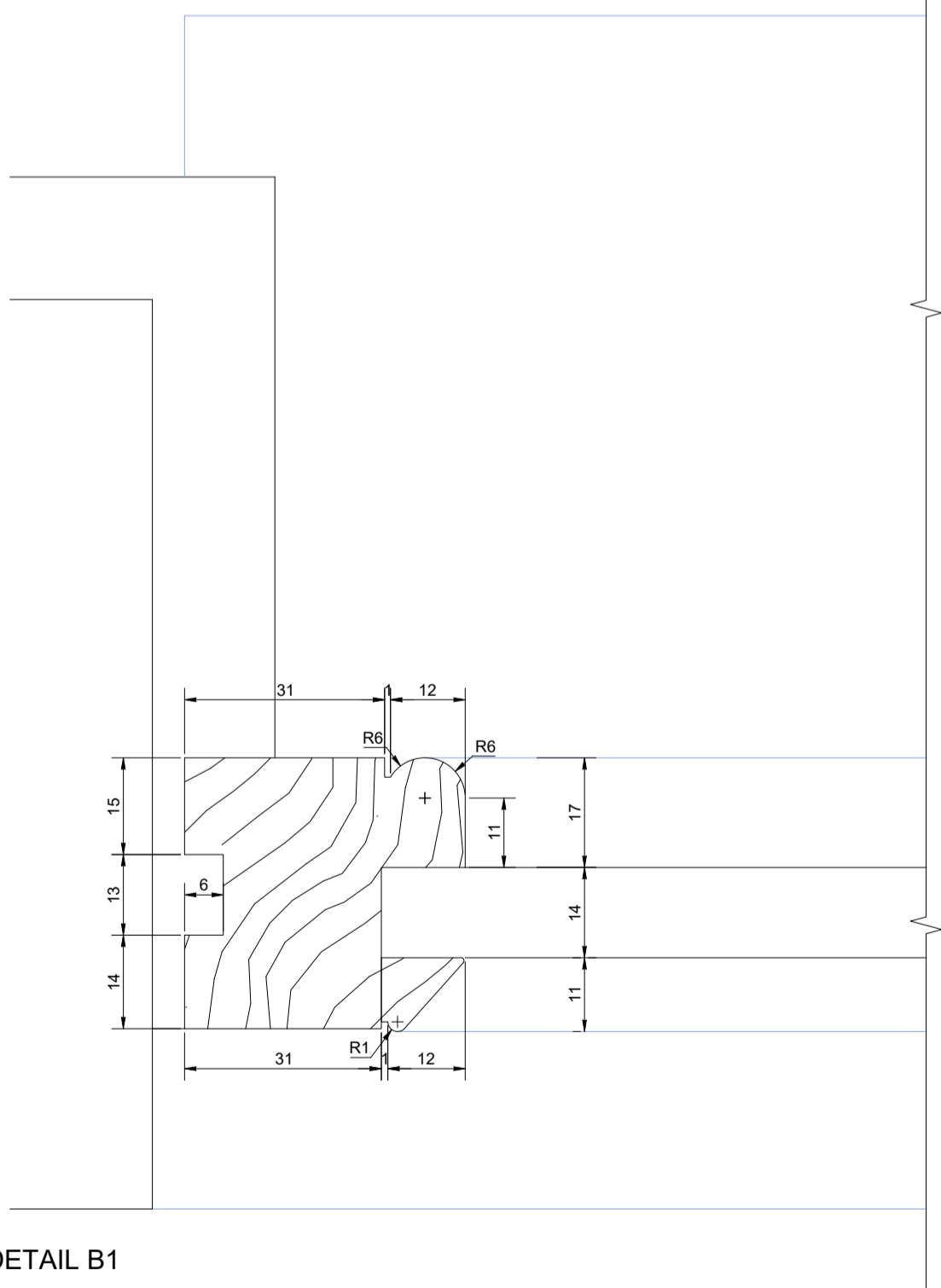


KEY DRAWING - scale 1:10



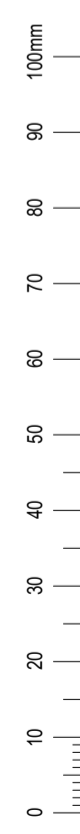
VERTICAL SECTION DETAILS (full size)



HORIZONTAL SECTION DETAILS (full size)

**NOTES:**

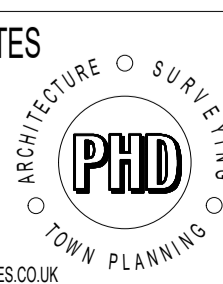
1. Glass to match the existing in weight and thickness.
2. Unless otherwise stated, joinery is to be in hardwood from a sustainable source.
3. All opening casements to be weatherstopped.
4. All dimensions to be checked on site prior to fabrication.
5. Cills to have min 30mm overhang unless agreed otherwise.



This drawing is the copyright of Patrick Howard Design Associates and may not be reproduced in whole or part without written permission. Contractors must verify all dimensions on site before setting out, commencing work or making any shop drawings & must not scale copies without verifications. Copyright (C)

REV	BRIEF DETAILS	DATE
-	initial issued	

**P.H.D. ASSOCIATES**  
 BRAEMAR HOUSE  
 WATER LANE  
 STANSTED, ESSEX  
 CM24 8BJ  
 TEL: 01279 817342  
 EMAIL: INFO@PHDASSOCIATES.CO.UK



Project  
 Oxford House Hostel,  
 Tavistock Place, London  
 WC1H 9RE  
 Drawing  
 New fixed window W-1/09&10  
 Joinery Details

Date	18/08/2022
Drawn By	VM/ADC/SHD
Scale	1:1@A2
Drawing Number	2105/BC/J/103