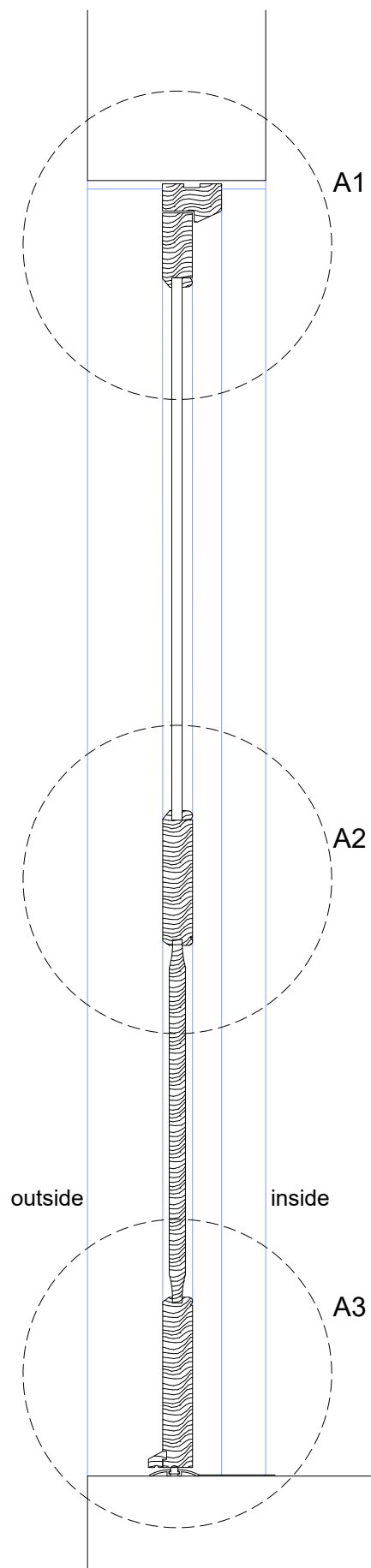
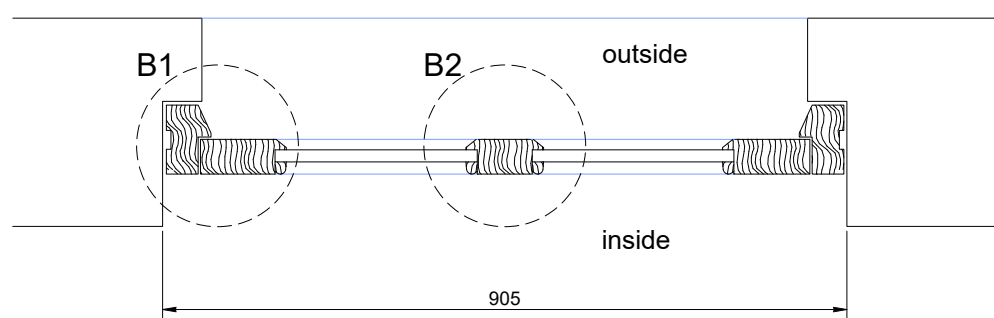


External Elevation



Section AA



Section BB

NOTES:

1. Glass to match the existing in weight and thickness.
2. Unless otherwise stated, joinery is to be in hardwood from a sustainable source.
3. All opening casements to be weatherstopped.
5. Please refer to dwg No 2105/BC/J/108 for large scale details
6. All dimensions to be checked on site prior to fabrication.
7. cills to have min 30mm overhang unless agreed otherwise.

SCALE (mm)
1:10 0 100 200 300 400 500

This drawing is the copyright of Patrick Howard Design Associates & may not be reproduced in whole or part without written permission. Contractors must verify all dimensions on site before setting out. Commencing work or making any shop drawings & must not scale copies without verifications. Copyright (C)	REV	BRIEF DETAILS	DATE	P.H.D. ASSOCIATES BRAEMAR HOUSE WATER LANE STANSTED, ESSEX CM24 8BJ TEL: 01279 817342 EMAIL: INFO@PHDASSOCIATES.CO.UK		Project	Date
	-	initial issued				Oxford House Hostel, Tavistock Place, London WC1H 9RE	18/08/2022
						Drawing	Scale
						Joinery Details New external door ED-1/05 & 06	1:10 @A3
				Drawing Number			
				2105/BC/J/008	(-)		