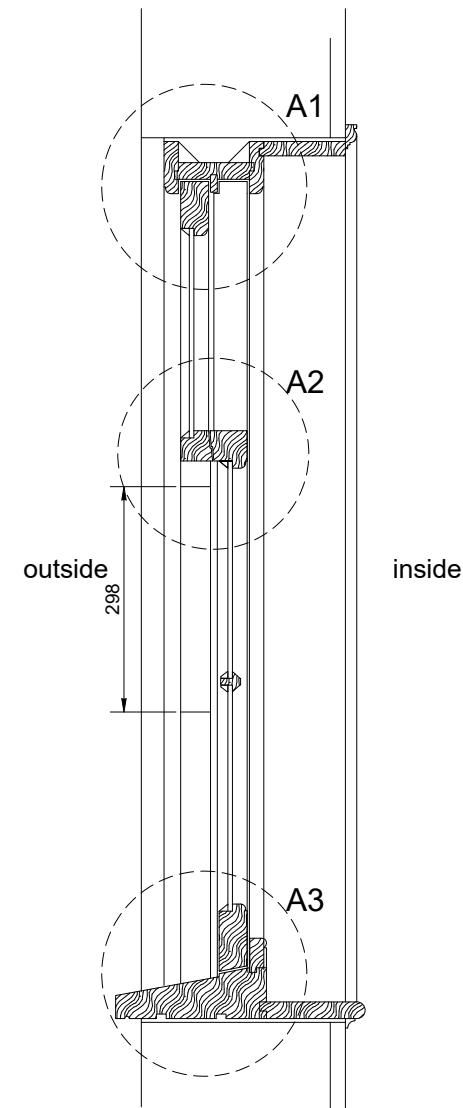
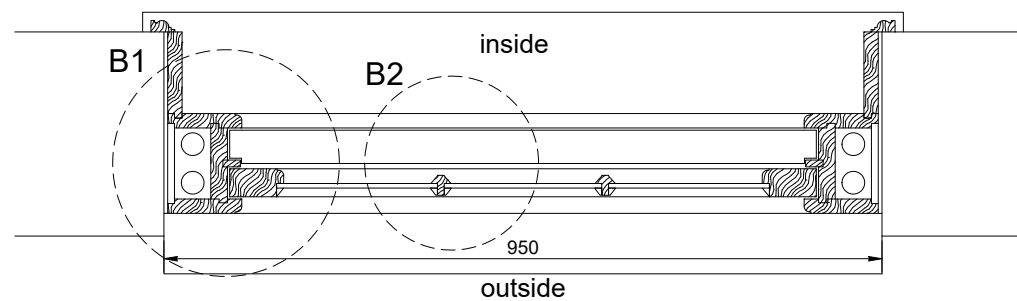


External Elevation



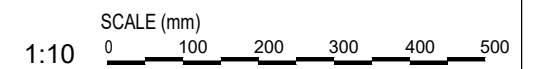
Section AA



Section BB

NOTES:

1. Glass to match the existing in weight and thickness.
2. For ironmongery, see schedule.
3. Unless otherwise stated, joinery is to be in hardwood from a sustainable source.
4. All opening casements to be weatherstopped.
5. Please refer to dwg No 2105/BC/J/102 for large scale details
6. All dimensions to be checked on site prior to fabrication.
7. cills to have min 30mm overhang unless agreed otherwise.



This drawing is the copyright of Patrick Howard Design Associates and may not be reproduced in whole or part without written permission
Contractors must verify all dimensions on site before setting out, commencing work or making any shop drawings & must not scale copies without verifications
Copyright (C)

REV	BRIEF DETAILS	DATE
-	initial issued	

P.H.D. ASSOCIATES
BRAEMAR HOUSE
WATER LANE
STANSTED, ESSEX
CM24 8BJ
TEL: 01279 817342
EMAIL: INFO@PHDASSOCIATES.CO.UK



Project
Oxford House Hostel
Tavistock Place, London
WC1H 9RE

Drawing
New sash window W-1/07 & 08
Joinery Details

Date	18/08/2022
Drawn By	VM/ADC/SHD
Scale	1:10@A3
Drawing Number	2105 /BC/J/002 (-)