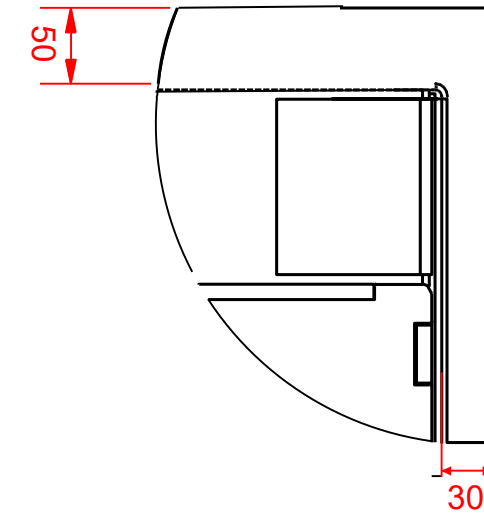


ELEVATION OF PROPOSED LIFT



DETAIL B

SLP Model D
 Travel Max 800mm
 Power drive Hydraulic
 Max SWL 400KG
 Speed 0.13m/s
 Supply Single phase 230v 13amp
 Controls Radio Remote control
 Options Heated floor for frost
 Park position (3rd stop)

REV	DATE	AMENDMENT
0	13/07/22	ISSUED FOR APPROVAL/COMMENT


 Brothers Lifts Ltd
 63 Hitchin Road, Arlesey,
 Bedfordshire SG15 6RR
 T: 01462 621363
 E: info@brotherslift.co.uk

PROJECT:
 Doughty Street Chambers
 London WC1N

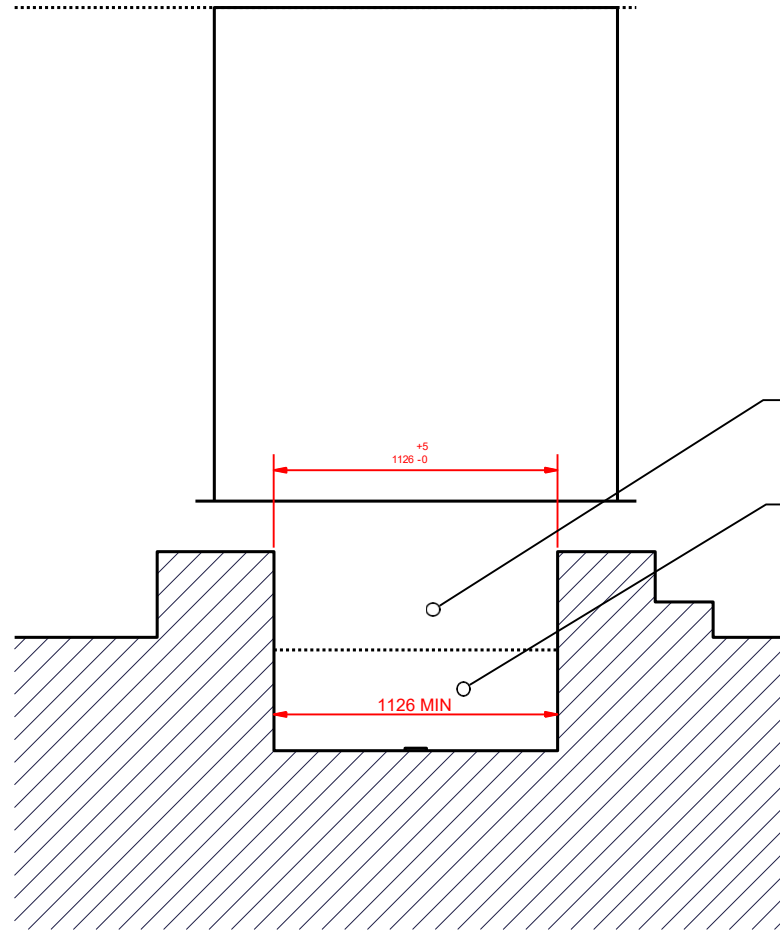
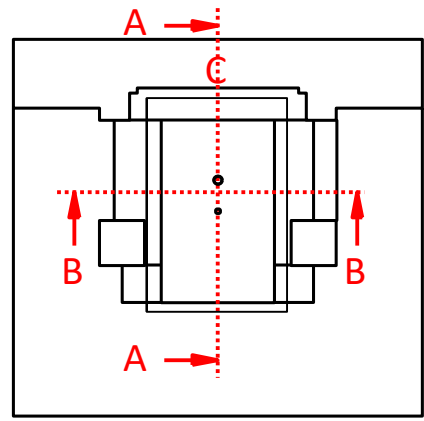
TITLE:
 STEPLESS SLP
 LIFT ELEVATION & FRONT DETAIL
 SHEET 1 OF 4

Date: 13/07/2022	Sheet Size: A3
Drawn by: JM	Scale: 1:10
Checked: JB	Rev: 0

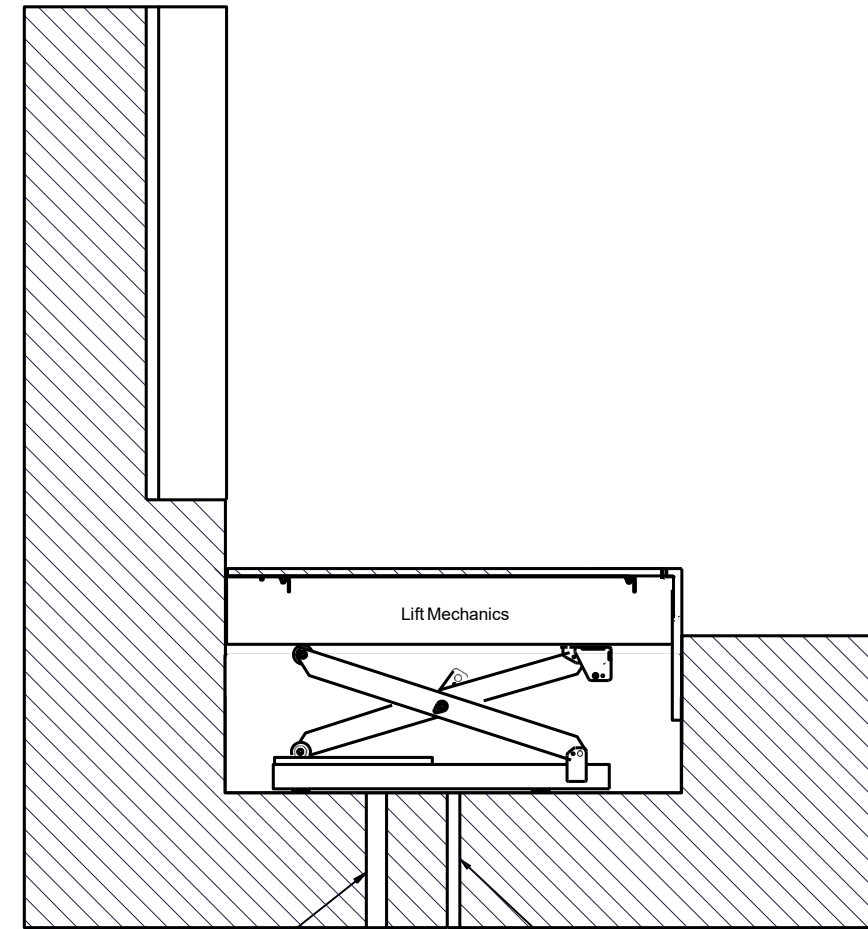
Drawing No: BL-DCS-SLP-001

PIT DIMENSIONS

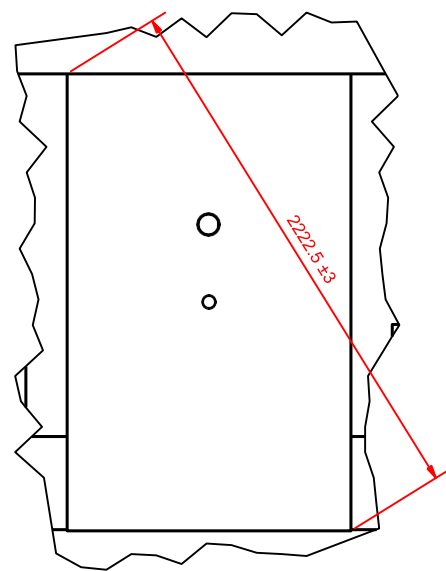
ALL DIMENSION TO FINISHED FLOORING



SECTION B-B



SECTION A-A
(LIFT PARKED NOT IN USE)



DETAIL C

REV	DATE	AMENDMENT

0 13/07/22 ISSUED FOR APPROVAL/COMMENT



Brothers Lifts Ltd
63 Hitchin Road, Arlesey,
Bedfordshire SG15 6RR
T: 01462 621363
E: info@brotherslift.co.uk

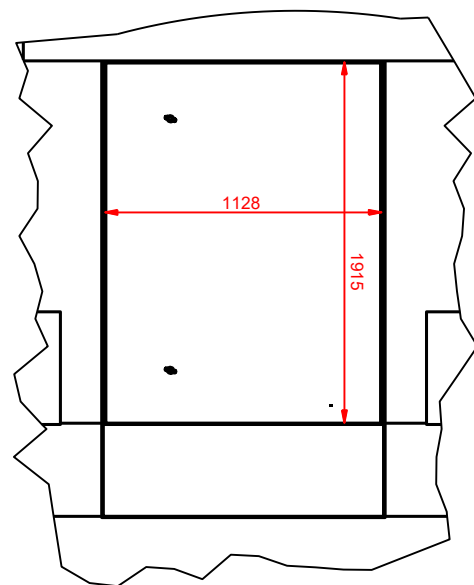
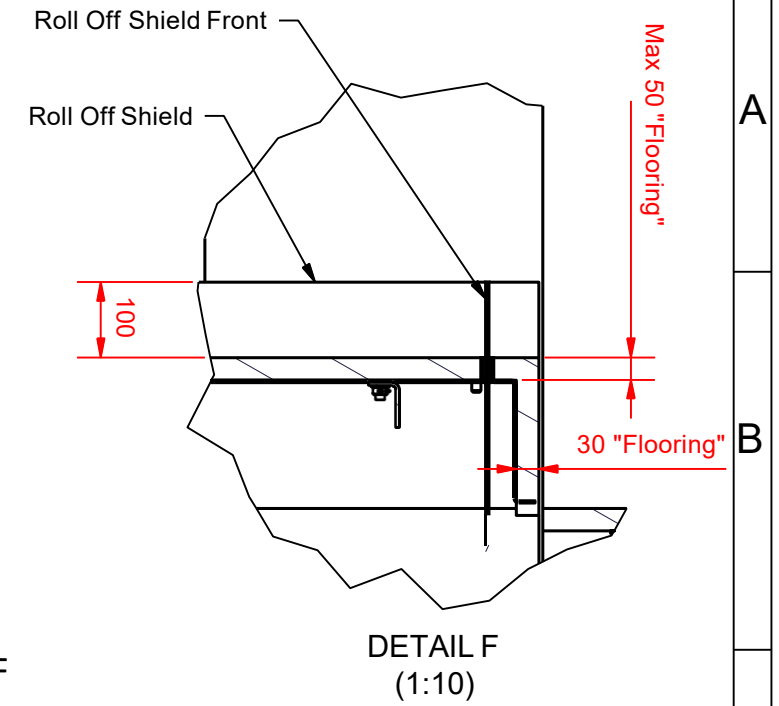
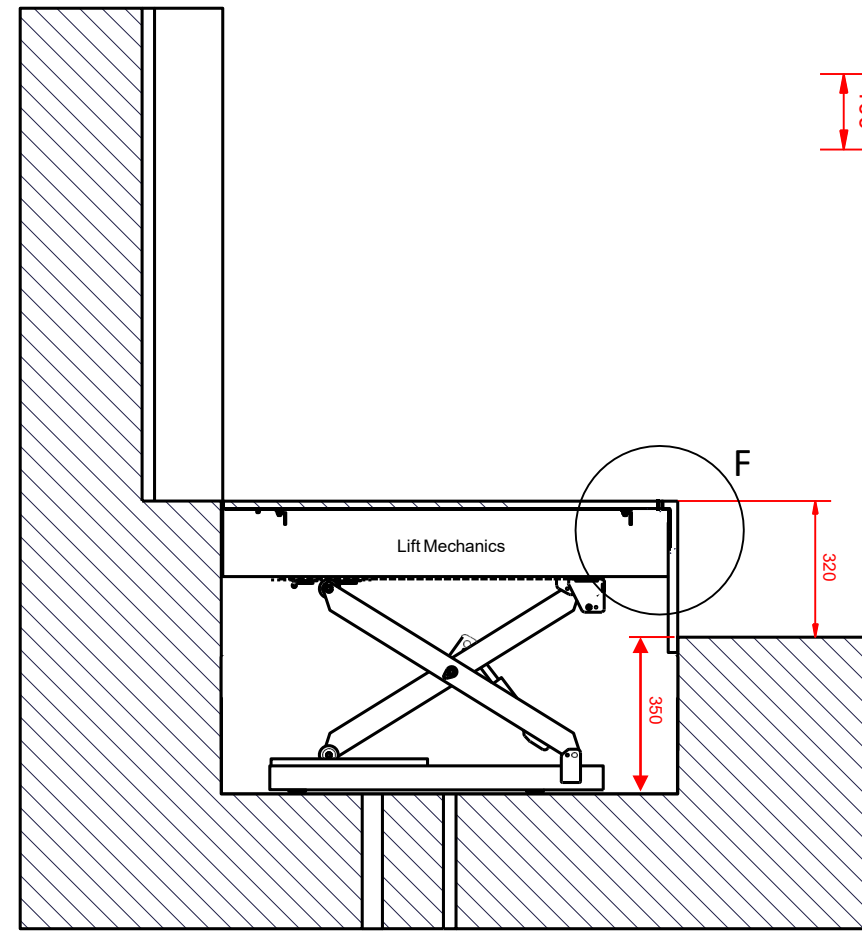
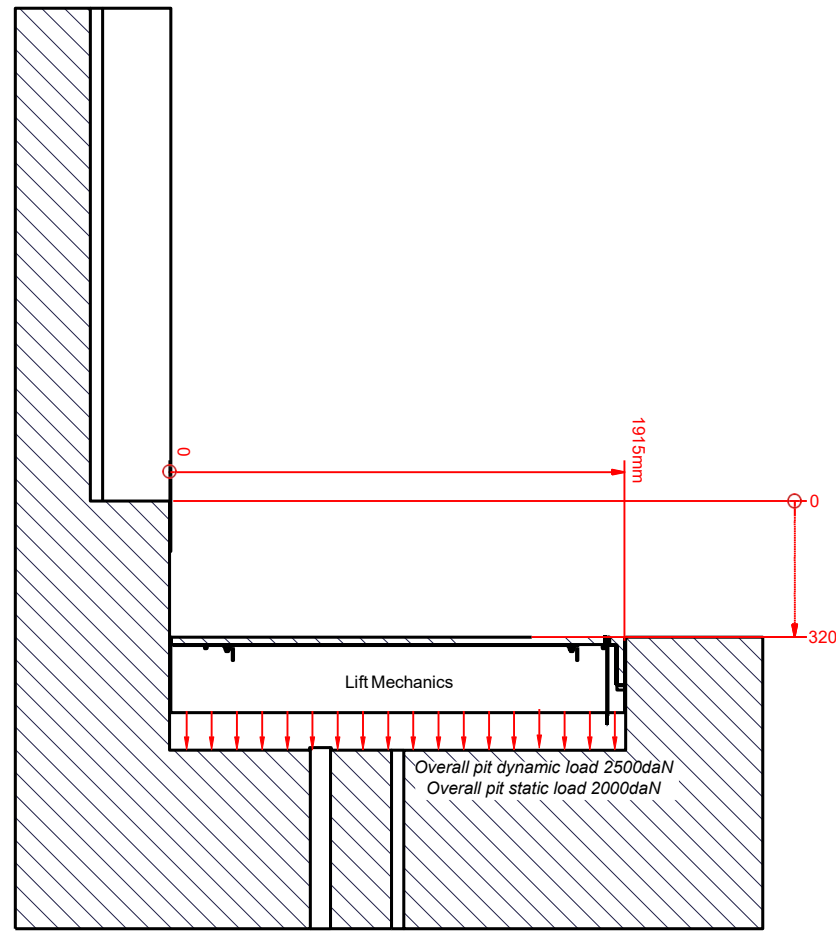
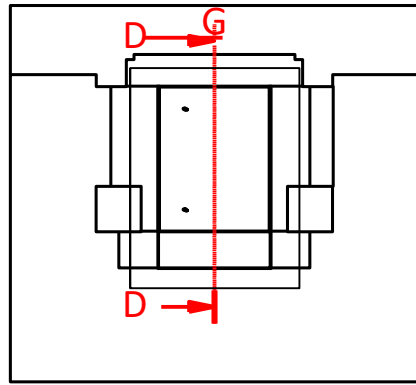
PROJECT:
Doughty Street Chambers
London WC1N

TITLE:
STEPLESS SLP
LIFT PIT DIMENSIONS
SHEET 3 OF 4

Date: 13/07/2022	Sheet Size: A3
Drawn by: JM	Scale: 1:30
Checked: JB	Rev: 0
Drawing No: BL-DCS-SLP-002	

PIT WITH PLATFORM

For illustration purpose only



SECTION D-D
(LIFT IN USE STREET LEVEL)

SECTION D-D
(LIFT IN USE)

REV	DATE	AMENDMENT
0	13/07/22	ISSUED FOR APPROVAL/COMMENT


Brothers Lifts Ltd
 63 Hitchin Road, Arlesey,
 Bedfordshire SG15 6RR
 T: 01462 621363
 E: info@brothersliff.co.uk

PROJECT:
Doughty Street Chambers
London WC1N

TITLE:
STEPLESS SLP
LIFT WITH PLATFORM
SHEET 4 OF 4

Date: 13/07/2022	Sheet Size: A3
Drawn by: JM	Scale: 1:30
Checked: JB	Rev: 0

Drawing No: BL-DCS-SLP-003