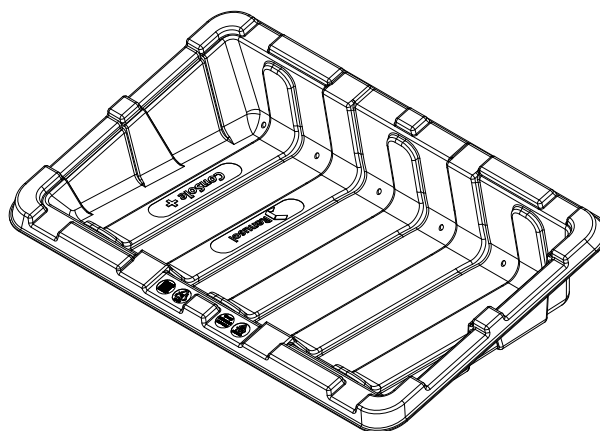


System Datasheet

CS+



General

System	Freestanding ballasted PV mounting system
Scope of delivery	CS+ tub, mounting profiles and fixing material
System warranty	10 years
Application area	Flat roofs, landfills, open spaces, green areas (excluding hydrogen sulphide exposure)
Dimensions	Width: 1.730mm, depth: 1.100 mm, height: 390mm
Roof slope	max. 5° without additional measures
Ambient temperature range	-30°C to +50°C

System properties

System orientation	East-West, South
Material	HDPE, aluminium and stainless steel
Module tilt	15°
System weight approx.	≈ 7,9 kg
Friction coefficient	$\mu = 0,5$ is to be determined and ensured upon installation surface.
Minimum edge distance	1,5 m

Modules

Type	Framed PV modules with mounting hole
Module length	1550 mm - 2150 mm
Module guidance	Horizontal/landscape format
Distance mounting holes	long side: 690 - 1,180 mm, short side: 895 - 1,014

Certifications

TÜV	ID1111212485 according to 2PFG
Wind loads	Determined in wind tunnel tests by Ruscheweyh Consult GmbH
Fire resistance	MPA Dresden
UV resistance	KIMW Kunststoff Institut Lüdenscheid

Services

PV layout	Provided by Renusol
Ballast plan	Provided by Renusol

CS+ 03 2020

EN | Renusol System Datasheet

Misprints and errors, technical or other changes and changes in the availability of products are expressly reserved