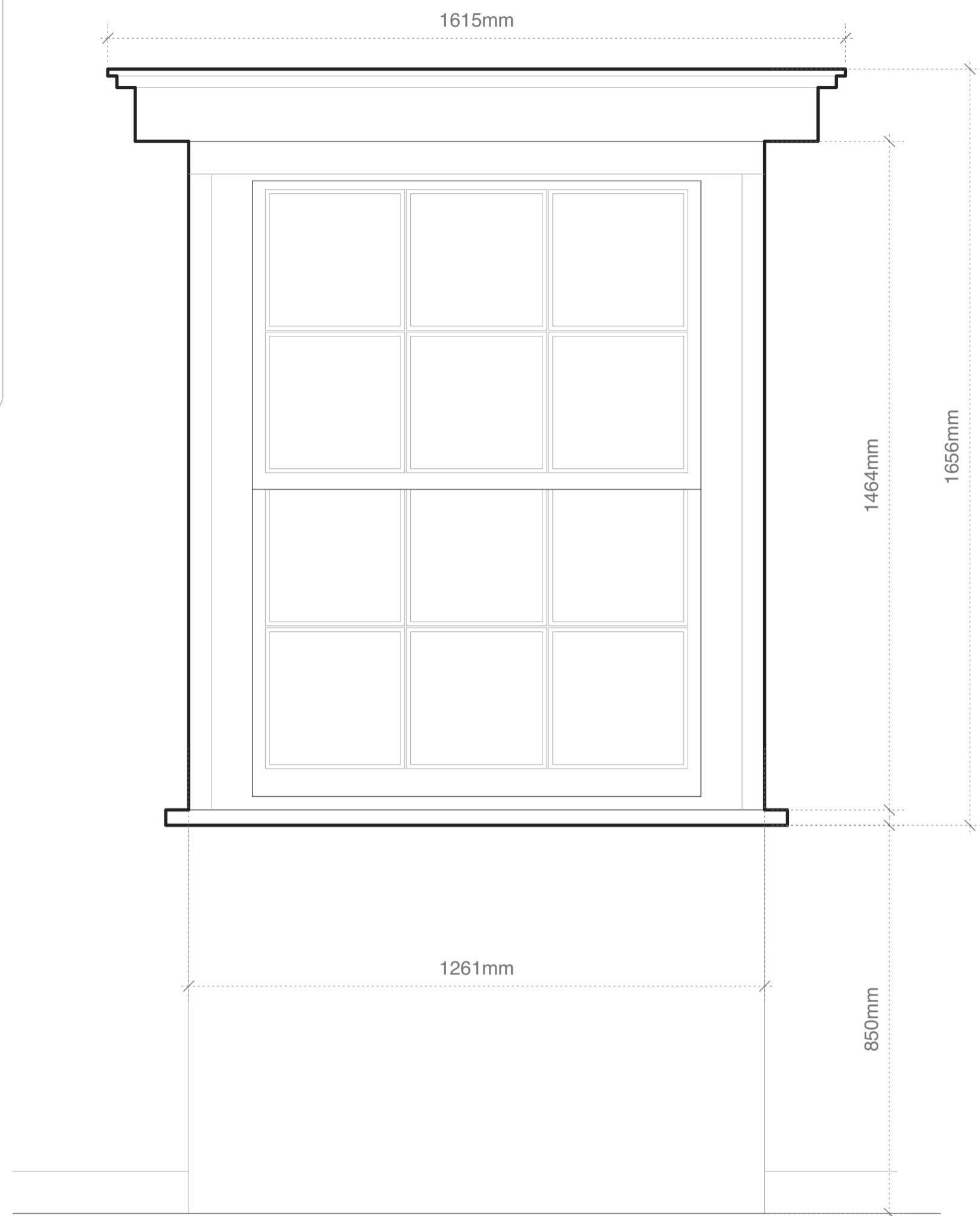


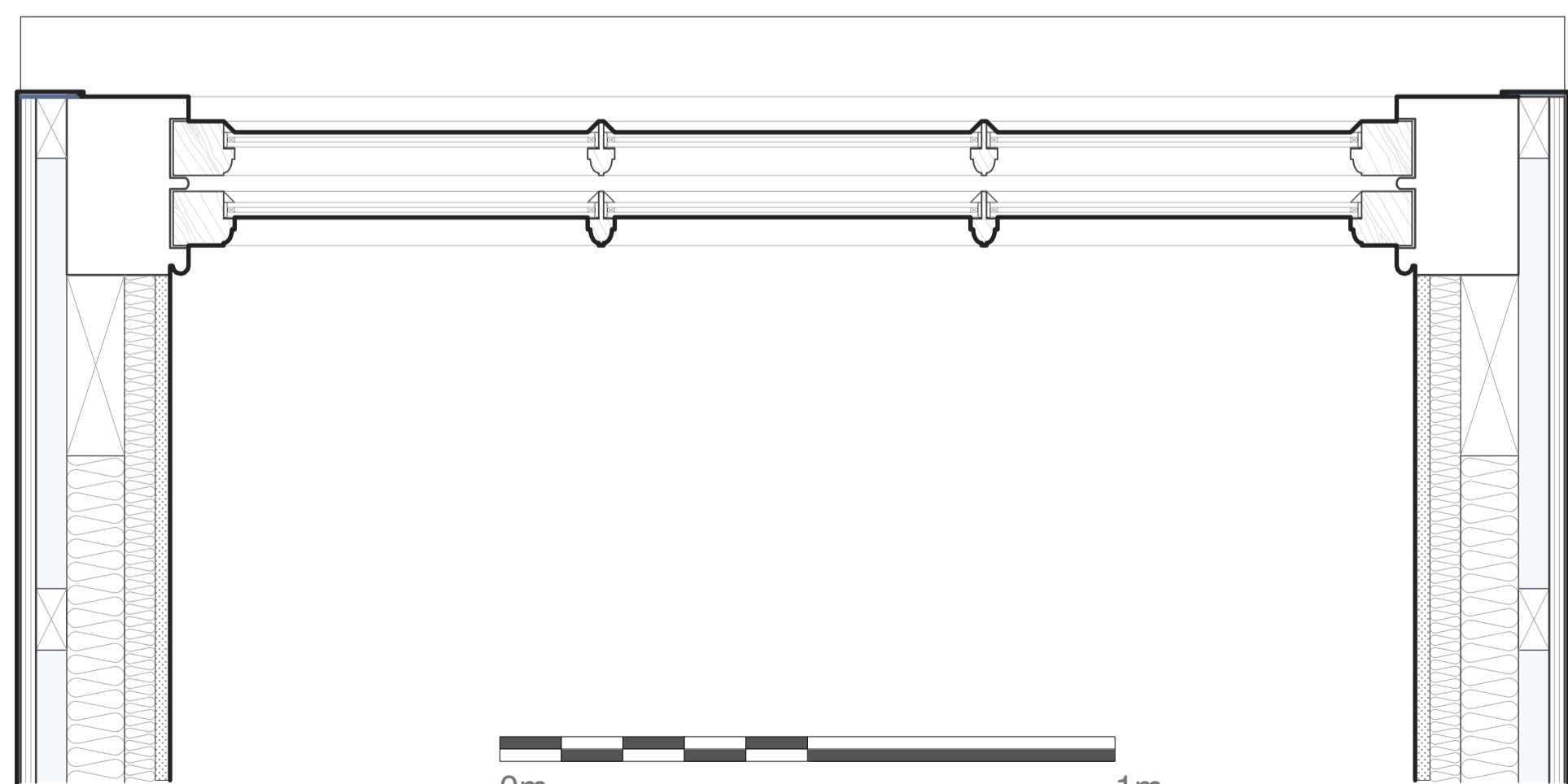
ELEVATION
T501-A

1:10 @ A1



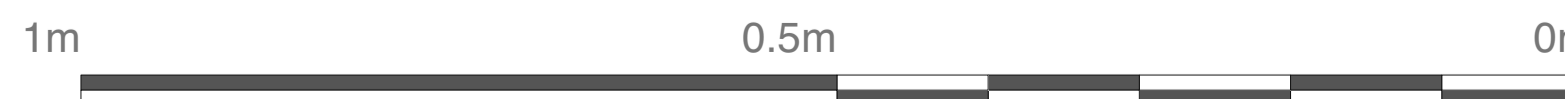
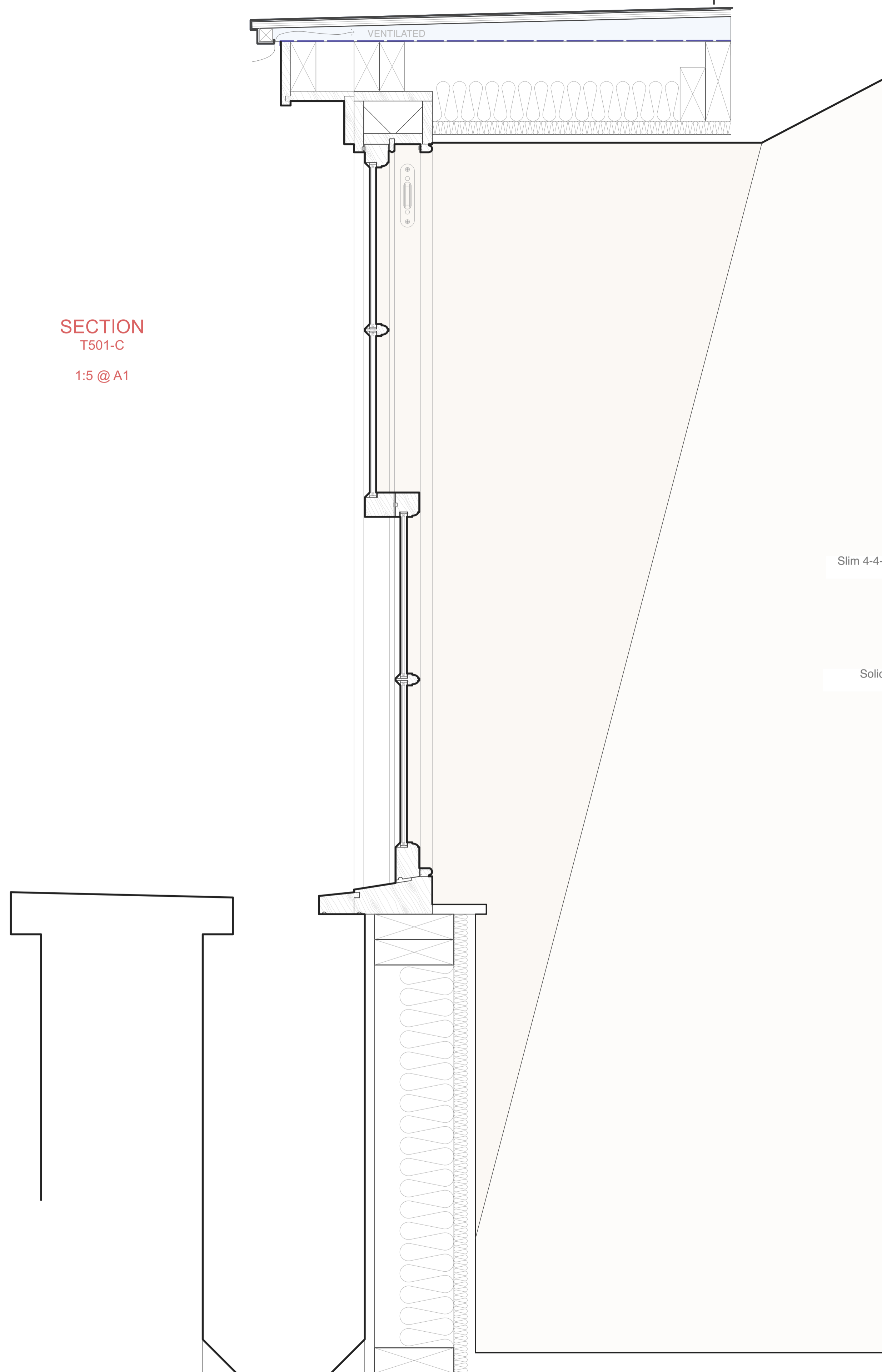
PLAN
T501-B

1:5 @ A1



SECTION
T501-C

1:5 @ A1



- General Notes**
- All dimensions to be verified on site
 - To be read in conjunction with all relevant documents
 - In the event of discrepancy notify the Architect immediately
 - All steel structural elements to be finished with intumescent coating, 30 minutes fire resistance. For all structural elements and connection see SE drawings.
 - This document is copyright of Hugh Cullum Architects Ltd

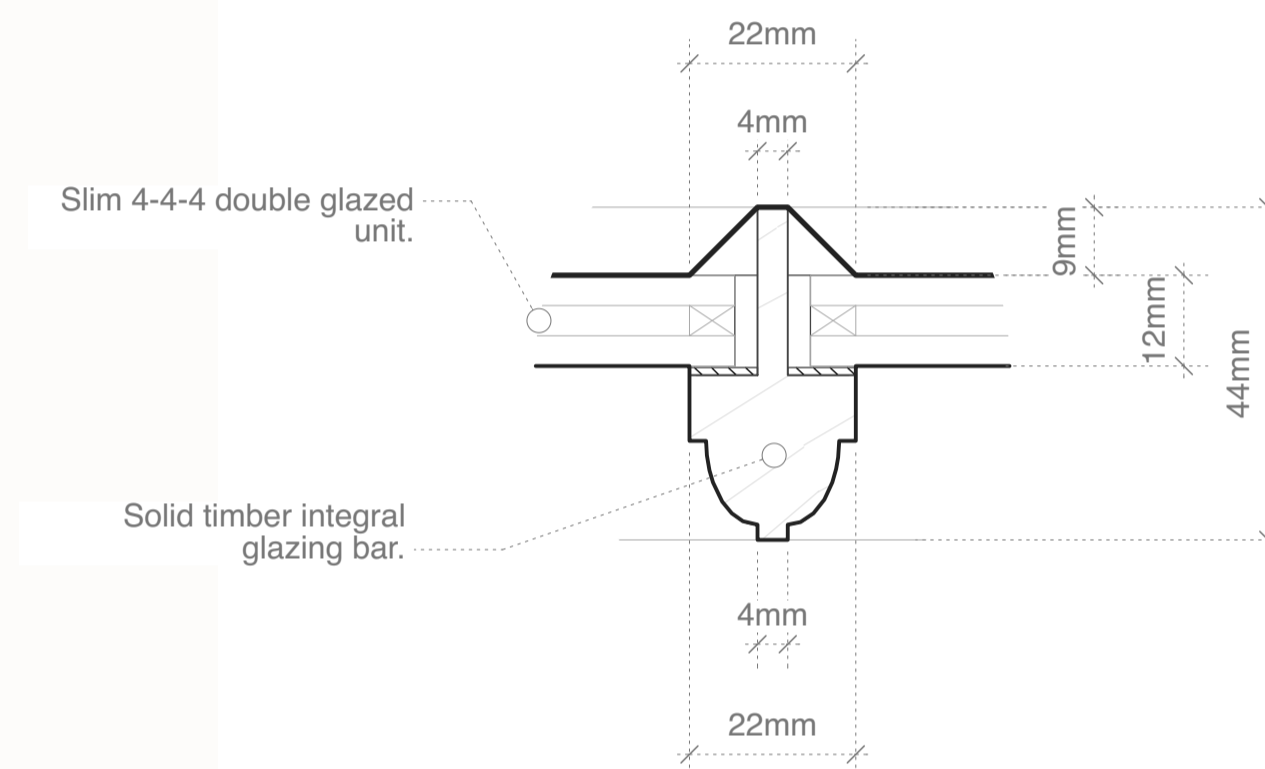
- Issue Status**
- SK Sketch
 - T Tender
 - P Permissions
 - D Design
 - E Existing Condition
 - C Contract

Latest Revisions

REV	NOTE	DATE	DRAWN

GLAZING BAR DETAIL
T501-D

1:1 @ A1



LEGEND

Elevations 200 Series	
Sections 300 Series	
Build-Ups 400 Series	
General Detail 500 Series	
Item Detail 600 Series	
Interior Elevations 700 Series	