

Notes

The Contractor is to check and verify all building and site dimensions, levels and sewer invert levels at connection points before work starts.

This drawing must be read with and checked against all other standard specifications and any structural or other specialist drawings provided.

The Contractor is to comply in all respects with the current Building Regulations whether or not specifically stated on these drawings.

This drawing is not intended to show details of foundation or ground conditions. Each area of ground relied upon to support the structure depicted must be investigated by the Contractor and suitable methods of foundation must be provided.

© This drawing remains the copyright of The JTS Partnership LLP.

REVISIONS

REV	DATE	BY	DESCRIPTION

THE JTS PARTNERSHIP

Chartered Valuation Surveyors • Town Planning Consultants
 Number One, The Drive, Great Watney,
 Brentwood, Essex CM15 3DJ
 Tel: (01277) 224664 Fax: (01277) 215487
 Email: z@jts-partnership.co.uk
Trading as a Limited Liability Partnership. Registered in England & Wales. Registered No. 06297026

Site

Edinboro Castle, 57 Mornington Terrace
 Camden, London, NW1 7RU

Client

Mitchells & Butlers Retail Ltd

Drawing Title

Proposed Marquee Elevations
 with Block Plan

Drawn by

AE

Checked by

ND

Purpose of Issue

Planning

Date

August 2022

Scale

Varies @A3

Job Number

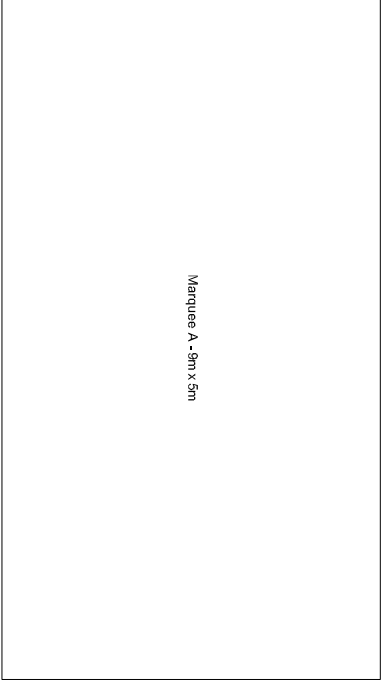
9513

Drawing Number

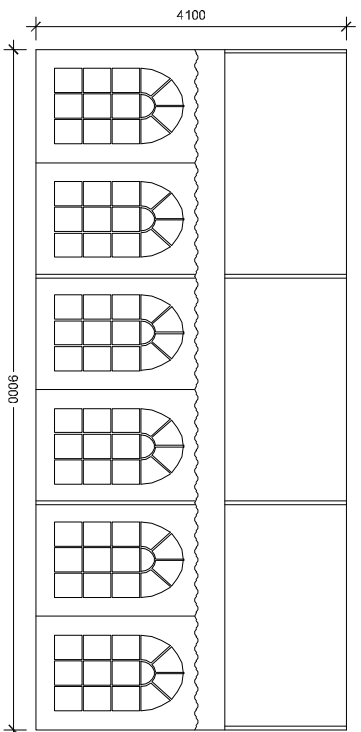
200

Revision

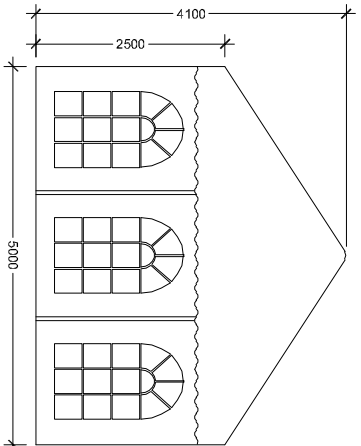
00



Marquee A Plan (9m x 5m)
 Scale - 1:100 @A3



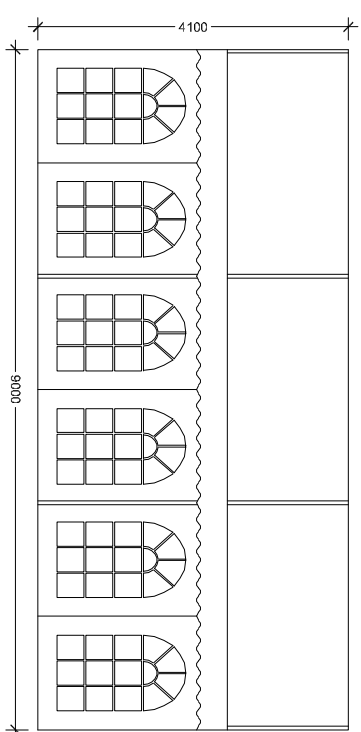
Front & Rear Elevation
 Scale - 1:100 @A3



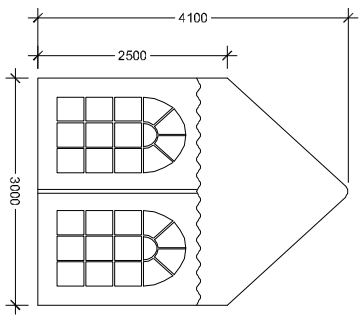
Side Elevations
 Scale - 1:100 @A3



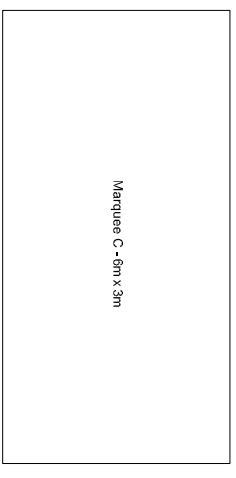
Marquee B Plan (9m x 3m)
 Scale - 1:100 @A3



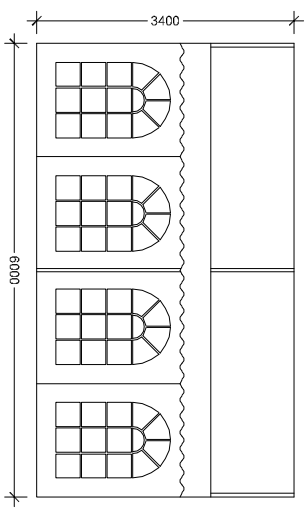
Front & Rear Elevation
 Scale - 1:100 @A3



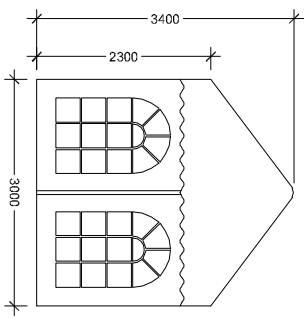
Side Elevations
 Scale - 1:100 @A3



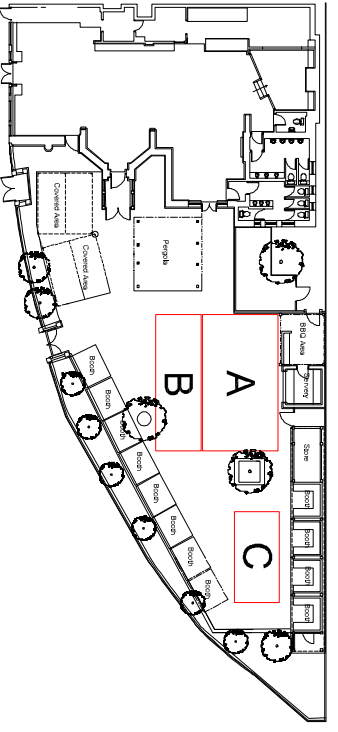
Marquee C Plan (6m x 3m)
 Scale - 1:100 @A3



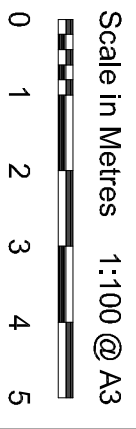
Front & Rear Elevation
 Scale - 1:100 @A3



Side Elevations
 Scale - 1:100 @A3



Proposed Block Plan
 Scale - 1:500 @A3



Scale in Metres 1:100 @A3