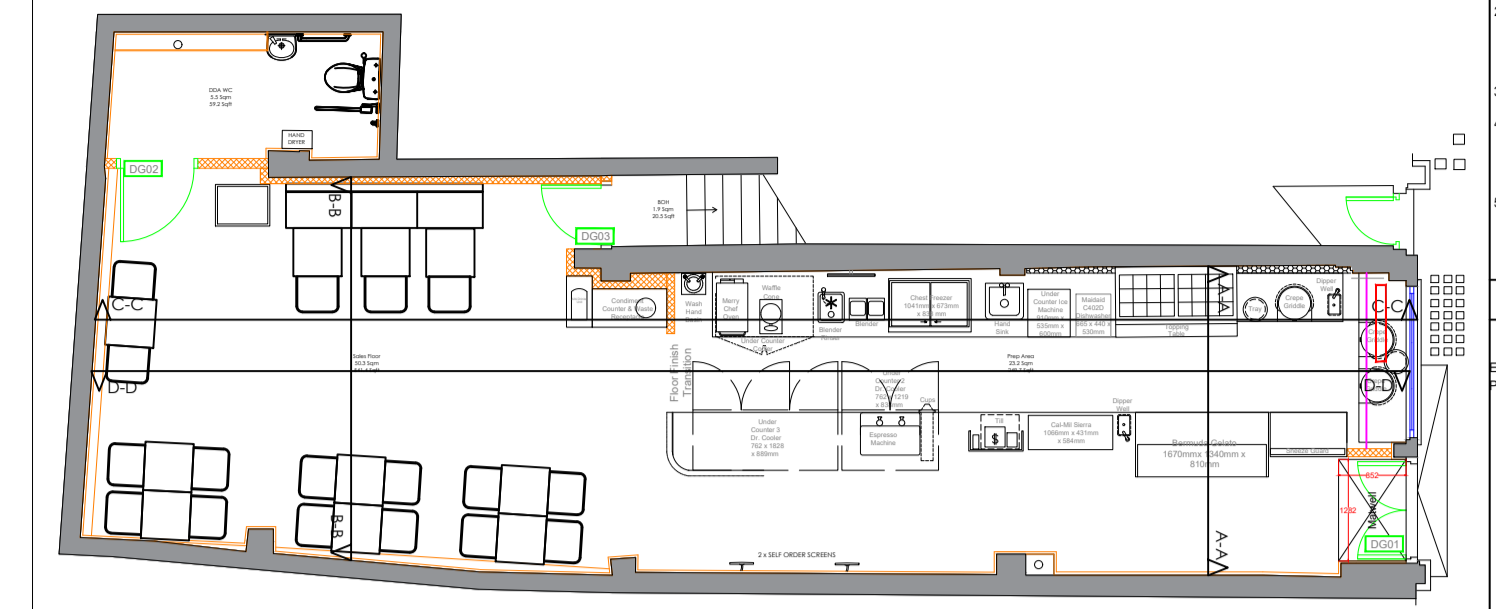


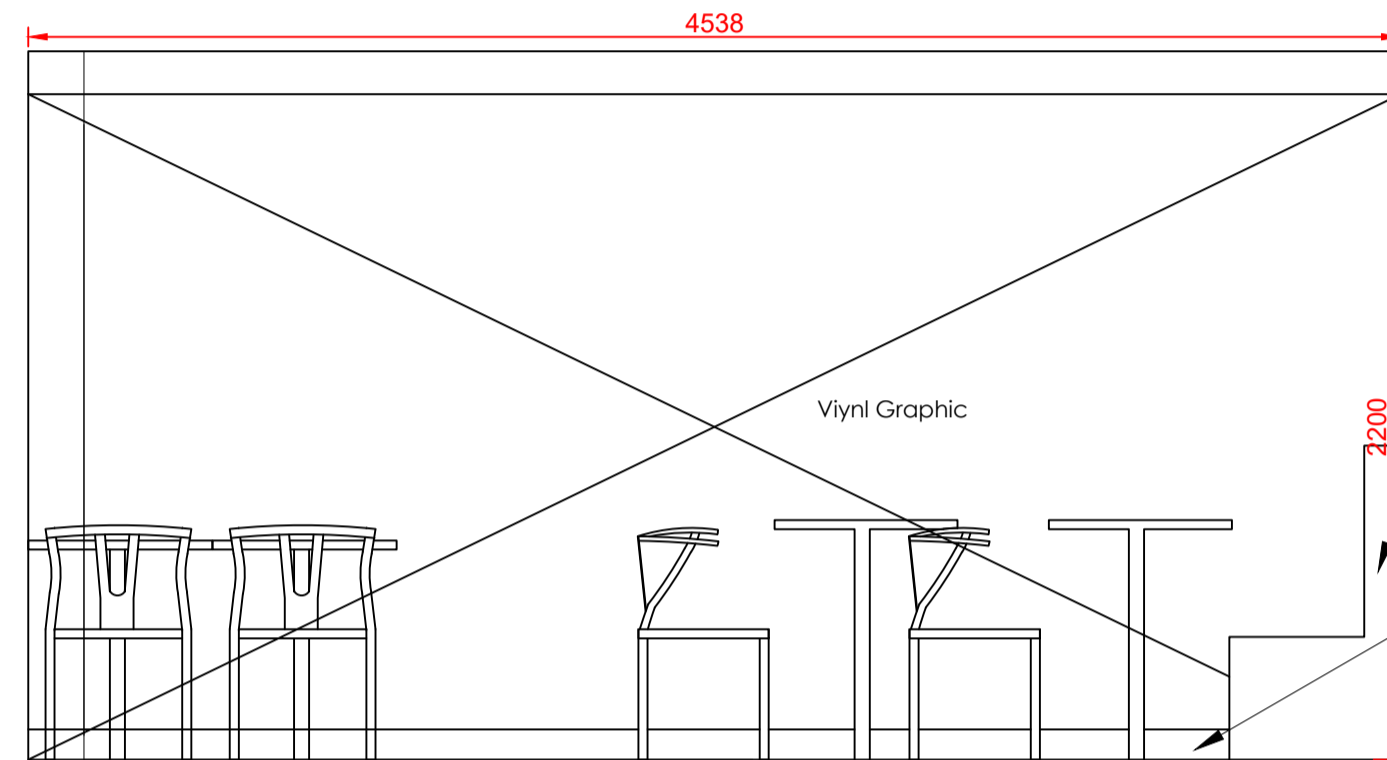
A-A



Reference Plan  
NTS

- GENERAL NOTES**
1. ALL WORKS WITHIN THIS DOCUMENT TO BE INSTALLED/CARRIED OUT IN COMPLIANCE WITH THE LATEST BUILDING REGULATIONS AND BRITISH STANDARDS.
  2. CONTRACTOR TO CHECK AND VERIFY ALL ON-SITE DIMENSIONS PRIOR TO MANUFACTURE/INSTALLATION AND MUST REPORT ANY DISCREPANCIES BACK TO RETAIL DESIGN SOLUTIONS. FAILURE TO DO SO WILL BE AT THE CONTRACTOR'S EXPENSE.
  3. THIS DRAWING MUST NOT BE SCALED. WORK TO DIMENSIONS ONLY.
  4. ANY CONFLICTING/AMBIGUOUS DRAWINGS IN THIS DOCUMENT ARE INDICATIVE ONLY. IT IS THE RESPONSIBILITY OF THE CONTRACTOR TO ENSURE THEY ARE FIT FOR PURPOSE AND TO MAKE AMENDMENTS WHERE NECESSARY PRIOR TO INSTALLATION.
  5. THE CONTENTS OF THIS DOCUMENT ARE THE PROPERTY OF RETAIL DESIGN SOLUTIONS. IT IS NOT TO BE REPRODUCED OR DISTRIBUTED IN WHOLE OR PART WITHOUT FORMAL CONSENT.

DATE	NOTES
20.03.22	EXISTING LAYOUTS PRODUCED
21.04.22	PROPOSED LAYOUTS PRODUCED



B-B

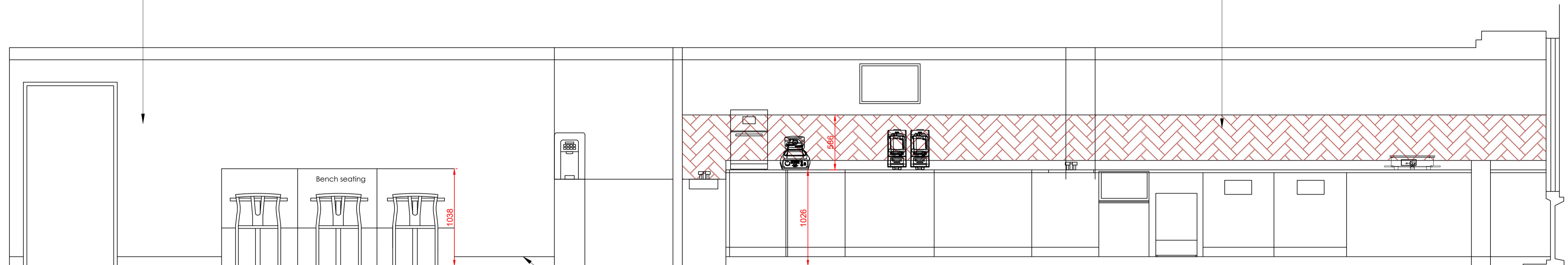
Bespoke Bench- franchisee to confirm finishes

Vinyl Graphic

Brushed Stainless steel skirting throughout sales floor

Moon Shimmer- refer to spec sheet

Herringbone heritage red tiles

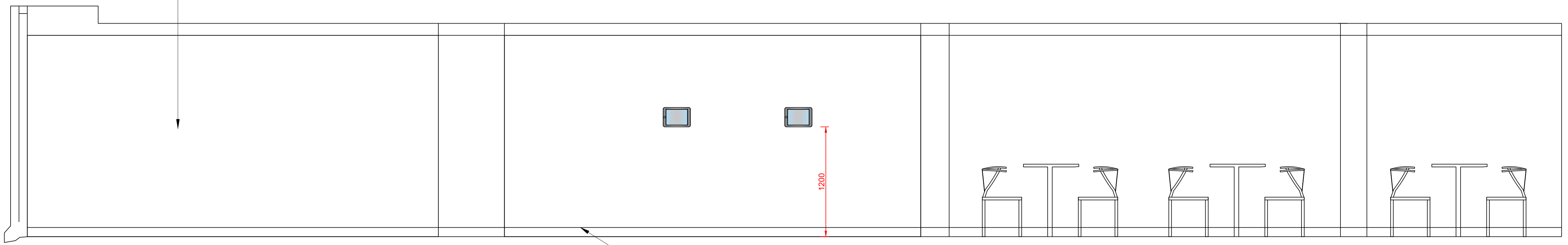


C-C

Moon Shimmer- refer to spec sheet

Brushed Stainless steel skirting throughout sales floor

100mm plinth to allow for services

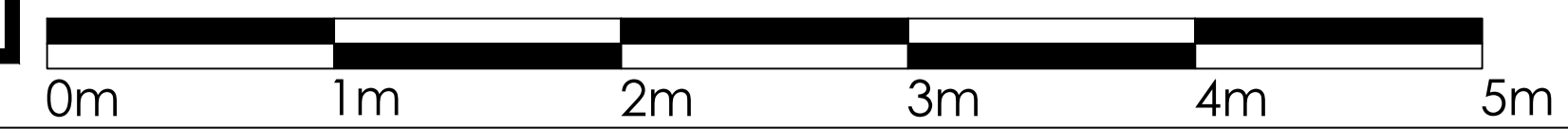


D-D

Brushed Stainless steel skirting throughout sales floor

Proposed Internal Elevation  
Scale 1:25 @ A1

SCALE BAR 1:25



PROJECT: CREPE DELICIOUS

ADDRESS:  
89 LEATHER LANE  
CENTRAL LONDON  
EC1N 7TS

REV. NAME

PROPOSED  
INTERNAL  
ELEVATION

DISC. NO. 8.1 SCALE 1:50@A1

DATE 20.03.22 DRAWN BY PER APPROVED BY PER

CLIENT



DRAWN BY



The Mill Store, Foundry Lane, Earls  
Colne, Essex, CO6 2SB  
Tel. 01787 224878