

ALL DIMENSIONS, LEVELS AND CLEARANCES TO BE CHECKED ON SITE PRIOR TO WORKS COMMENCING

THIS DRAWING SHOULD BE READ IN CONJUNCTION WITH ALL OTHER PROJECT RELATED DRAWINGS, SPECIFICATIONS AND DOCUMENTS AS PART OF A SINGLE PROJECT PACKAGE.

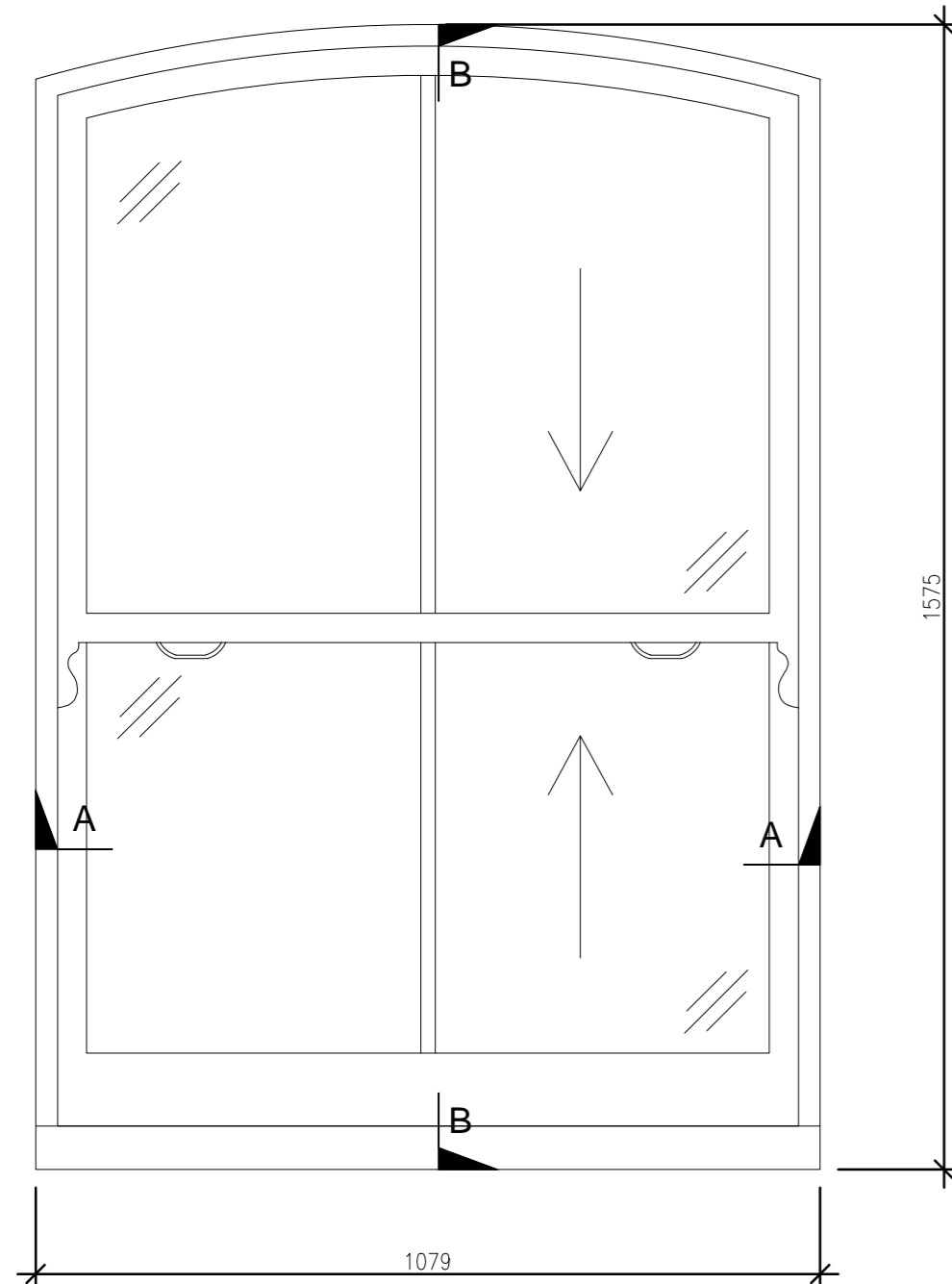
ANY DISCREPANCY BETWEEN THIS DRAWING, OTHER DRAWINGS FORMING PART OF THIS CONTRACT, OR THE SPECIFICATION / BILLS OF QUANTITIES MUST BE CLARIFIED BEFORE COMMENCEMENT OF ANY WORK OR ORDERING OF ANY MATERIALS.

PLEASE CONSULT THE AUTHOR OR PROJECT MANAGER SHOULD THE READER REQUIRE CLARIFICATION ON ANY PART OF THIS DRAWING.

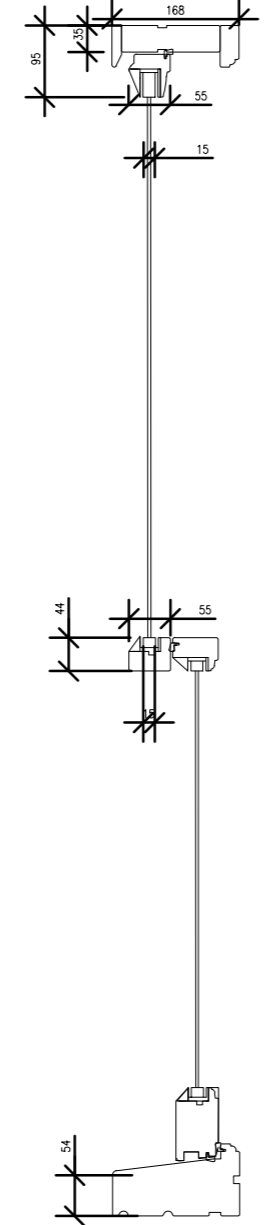
THE COPYRIGHT OF THE DRAWING AND DESIGN IS THE PROPERTY OF THE COMPANY. THIS INFORMATION HAS BEEN ISSUED UNDER SPECIFIC TERMS FOR THIS PROJECT AND MAY ONLY BE USED AND REPRODUCED ACCORDINGLY.

NOTES

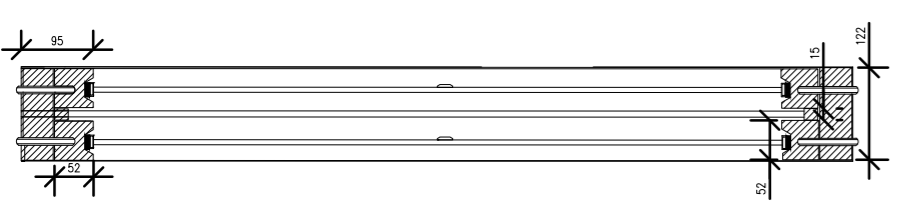

PO1	18.04.22	SEJ/BG	JM	Planning Issue
Rev	Date	By	Chk	Apr



Elevation

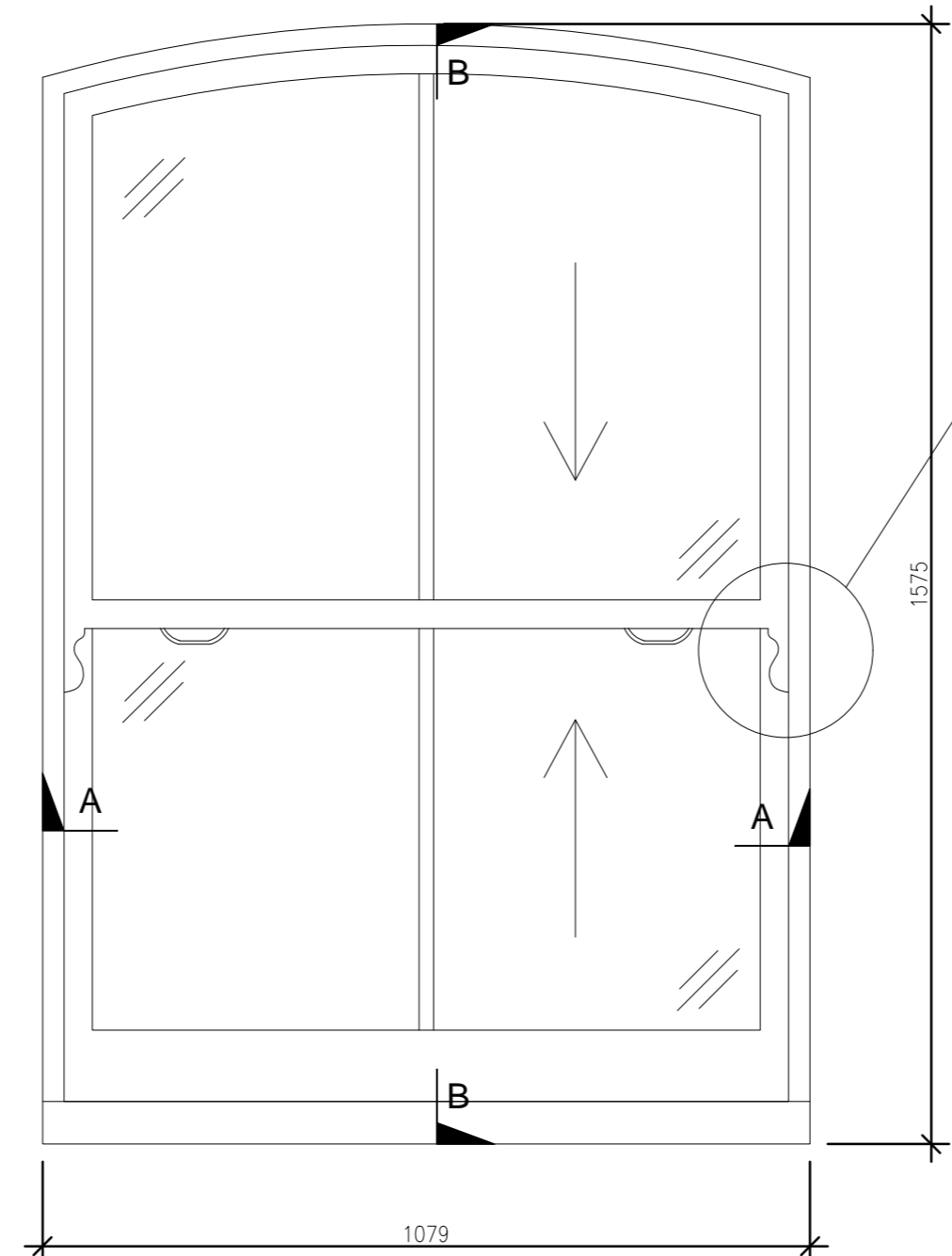


Detail B

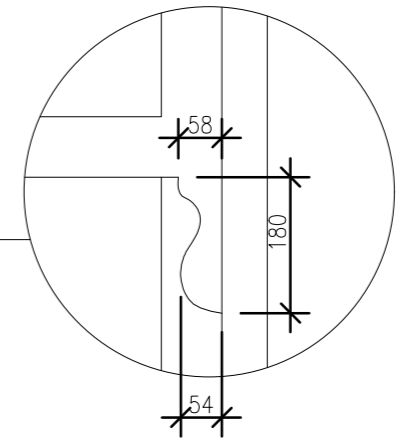


Detail A

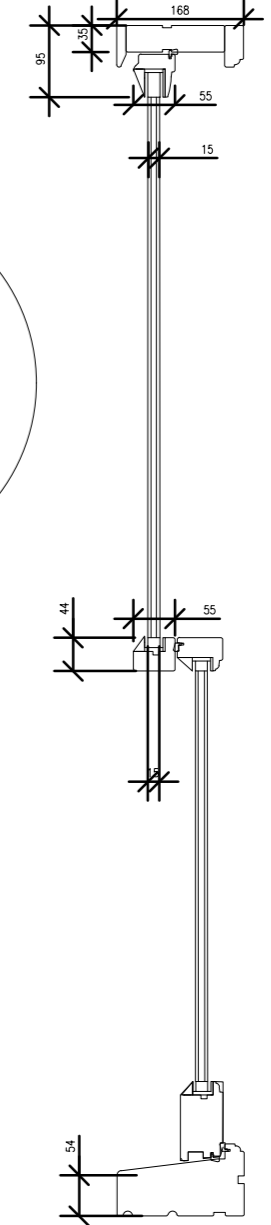
EXISTING TYPICAL TIMBER SLIDING SASH WINDOW DETAIL  
Shown W03 (Refers to W02-W13) – sizes vary similar style  
Scale @ 1:10



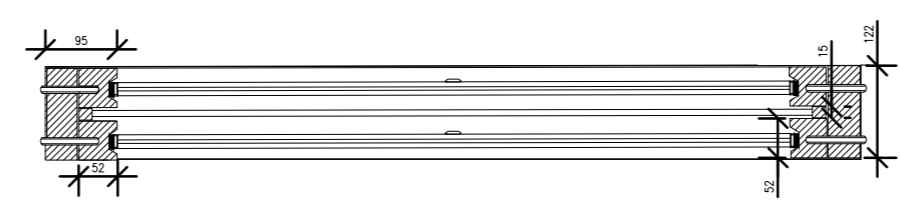
Elevation



HORN DETAIL  
Scale @ 1:5

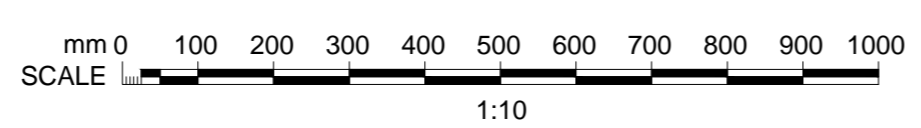
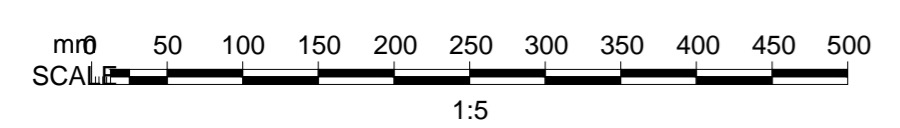


Detail B



Detail A

PROPOSED TYPICAL TIMBER DOUBLE GLAZED SLIDING WINDOW DETAIL  
Shown W03 (Refers to W02-W13) – sizes vary similar style



<p><b>FRANKHAM</b></p> <p>Frankham Consultancy Group Limited E: enquire@frankham.com www.frankham.com</p>	
<p>LONDON OFFICE: First Floor, Bridge House, 181 Queen Victoria Street, London EC4V 4EG, T: 020 7651 0790</p>	<p>STEVENAGE OFFICE: Suite 237, Second Floor, Kings Court Business Centre, London Road, Stevenage, Hertfordshire SG1 2NG, T: 020 3714 7063</p>
Client: AD Group	
Project Title: 2 Shoot-up Hill, Camden, NW2 3QN Windows and Side Door Replacement Works	
Drawing Title: Existing and Proposed Window Details 1	
Status: PLANNING ISSUE	

Drawn By: SEJ	Designed By: SEJ	Checked By: BG	Approved By: JM
Original Issue Date: 18/04/2022		Scale @ A2: 1:10	
Job No/ File Ref: 228021	Originator: FCG	Zone: MB	Level: EL
Type: DR	Discipline: B	Number: 2400	Suitability: S4 Revision: PO1