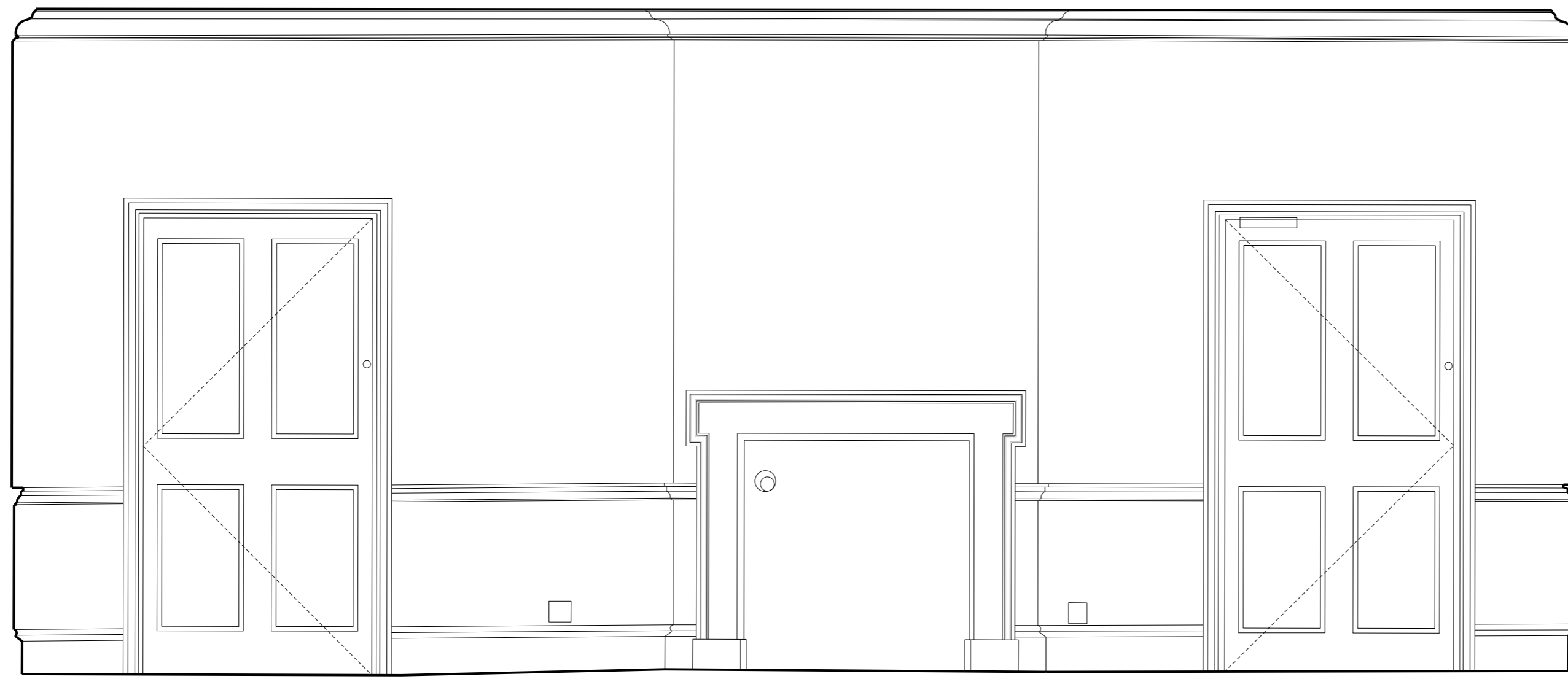
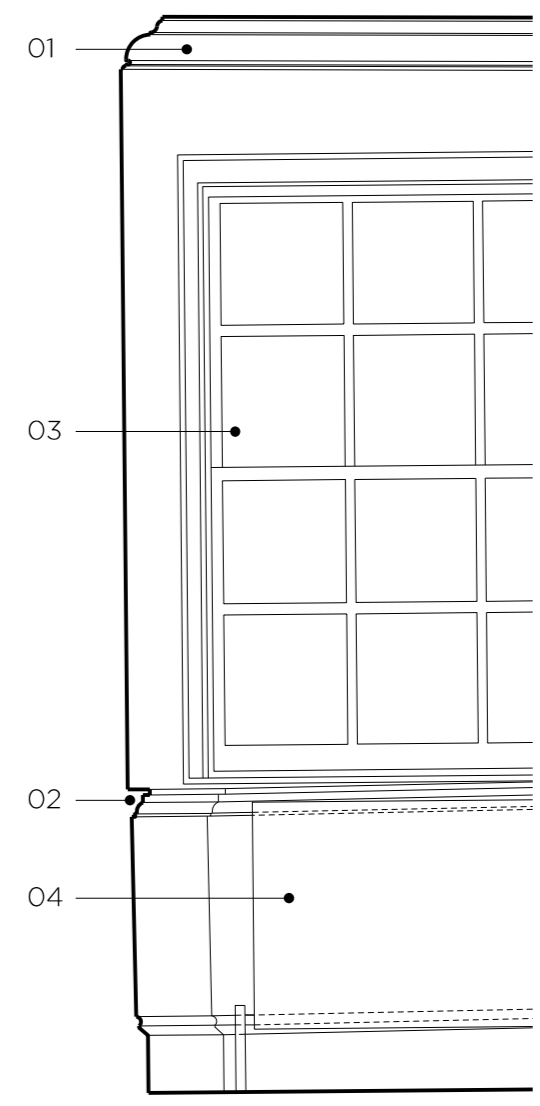


CLG + 36.630

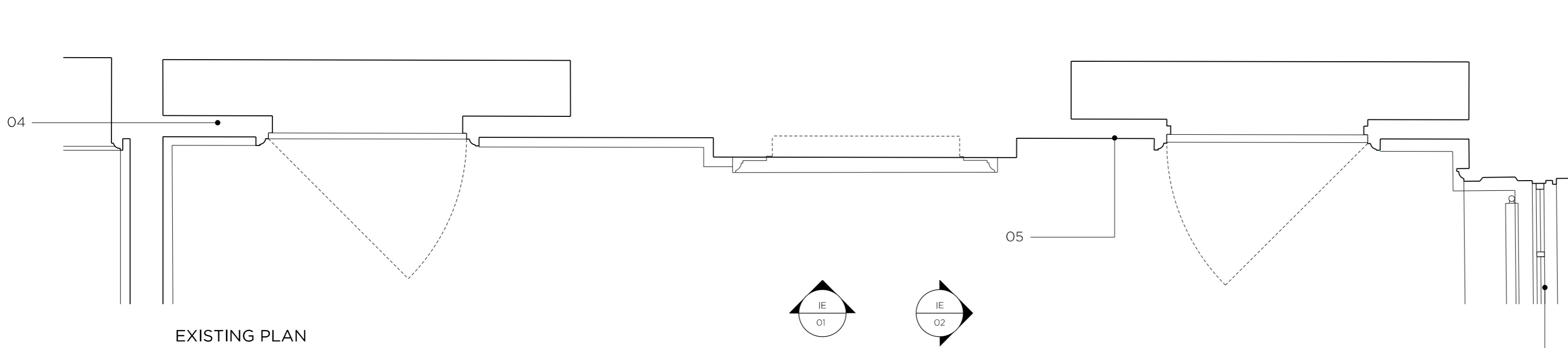
FFL + 33.760



EXISTING INTERNAL ELEVATION 01



EXISTING INTERNAL ELEVATION 02

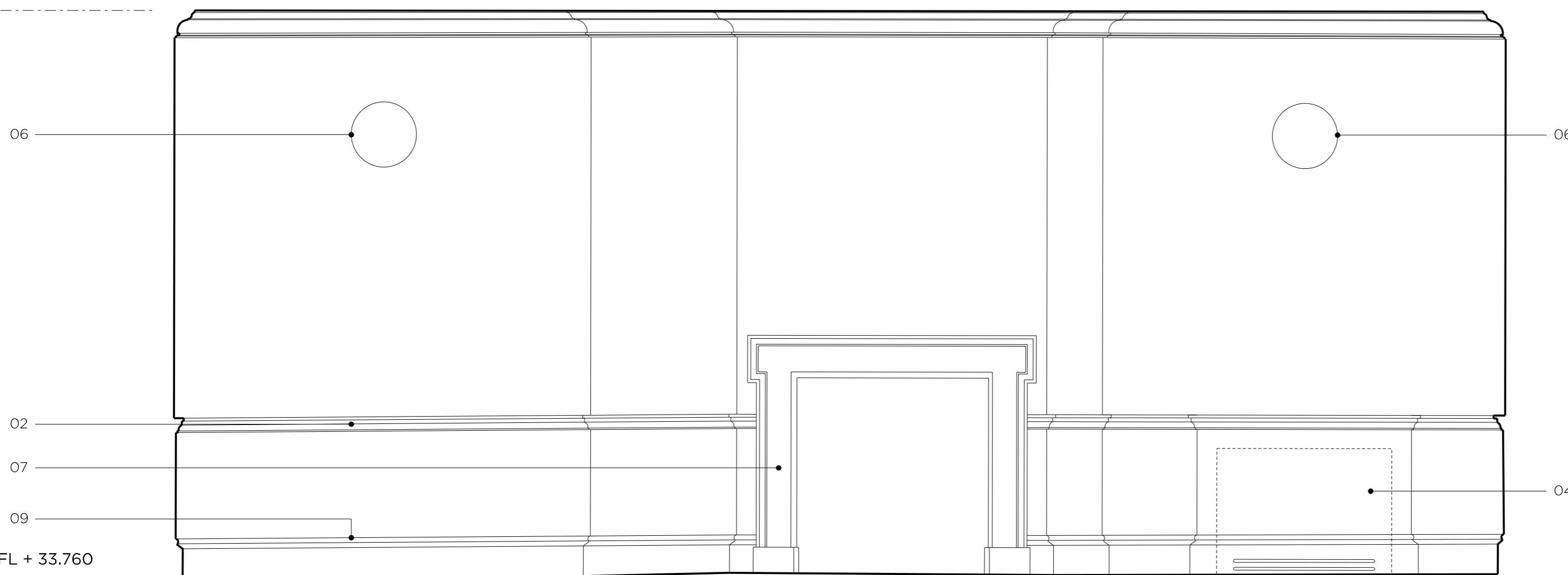


EXISTING PLAN

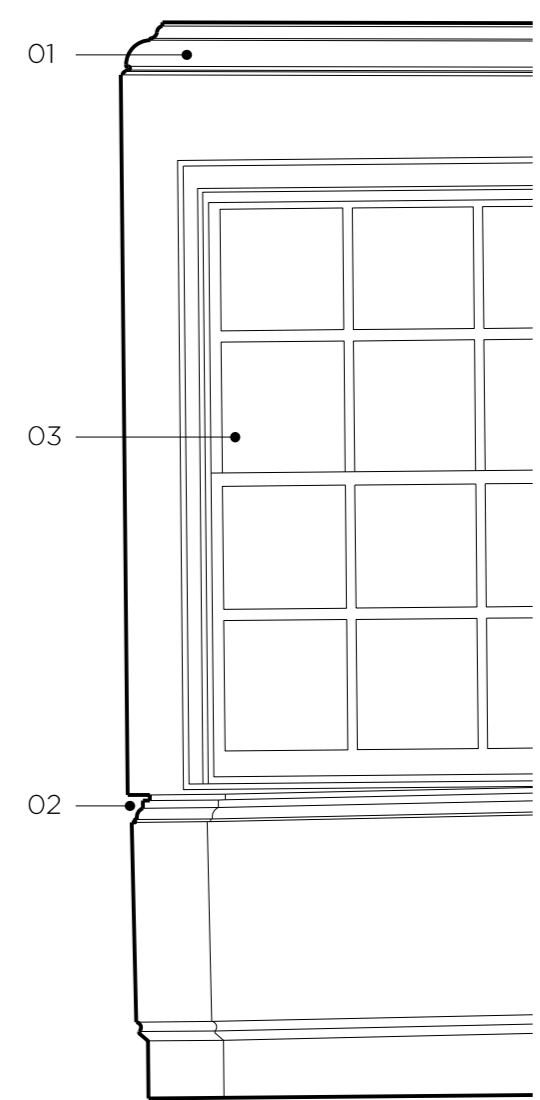
- Existing Key
- 01 Existing cornice
 - 02 Existing dado rail
 - 03 Existing sash window
 - 04 Existing radiator
 - 05 Existing cupboard

CLG + 36.630

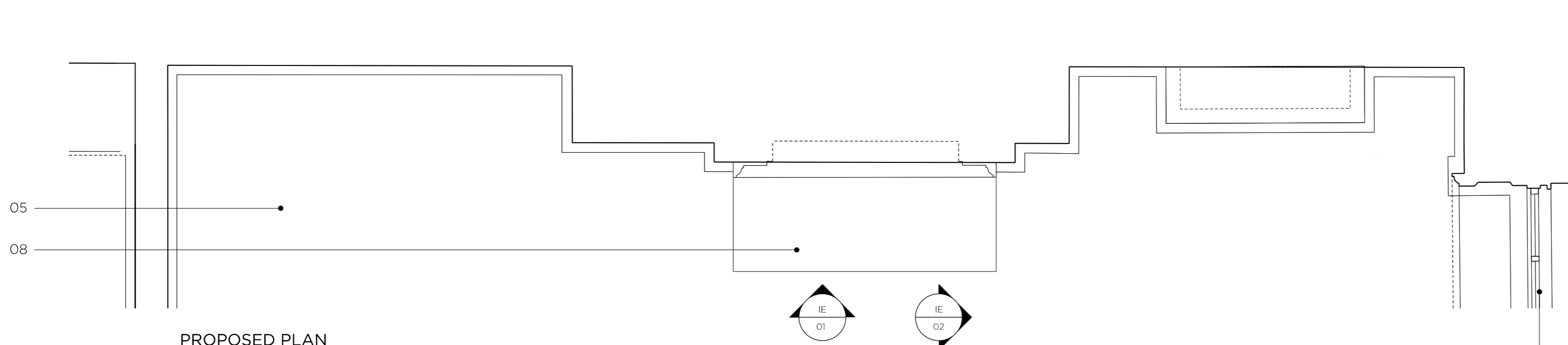
FFL + 33.760



PROPOSED INTERNAL ELEVATION 01

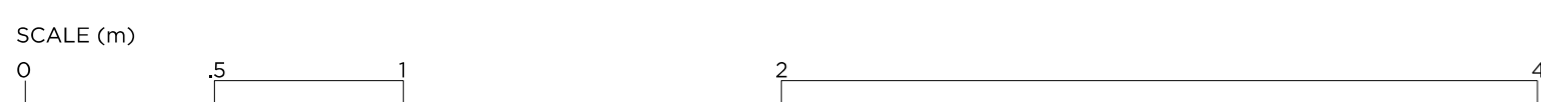


PROPOSED INTERNAL ELEVATION 02



PROPOSED PLAN

- Proposed Key
- 01 Existing cornice
 - 02 New dado rail to match existing
 - 03 Existing sash window refurbished
 - 04 New VRF unit housed in painted casing
 - 05 New proposed carpet
 - 06 Proposed light fittings
 - 07 Refurbished fireplace
 - 08 Reinstatement of fireplace hearth
 - 09 New skirting to match existing



DRAWING NOTES

REVISION DATE NOTE

TEAM

CLIENT	Workman
COST CONSULTANT	Gleeds
MECH. ENGINEER	Waterman Group
ELEC. ENGINEER	Waterman Group
STRUCT. ENGINEER	HTS
PLANNING CONSULTANT	WSP

GENERAL NOTES

1. Do not scale from this drawing.
2. All dimensions to be checked on site by the contractor and such dimensions to be his responsibility.
3. Report all drawing errors, omissions and discrepancies to the architect.
4. This document may be issued in an uncontrolled CAD format to enable others to use it as background information to make alterations and/or additions. In that instance the file will be accompanied by a PDF version, it is for those making such alterations and additions to ensure that they make use of current background information. Gibson Thornley Architects accepts no liability for any such alterations or additions to the background information or arising out of changes to background information which occur prior to alterations of additions being made.

LOCATION



GIBSON THORNLEY

Gibson Thornley Architects Limited
 No. 4 The Hangar
 Perseverance Works
 25-27 Hackney Road
 London E2 7NX
 www.gibsonsthornley.com
 info@gibsonsthornley.com
 +44 (0)20 7729 7064

JOB TITLE

HOLBORN LINKS: 6-8 SOUTHAMPTON PLACE

DETAILED ROOM ELEVATIONS - RM_7.G02.01

DRAWN BY	CHECKED	SCALE	STATUS
JG	MJT	1:20@A1	PLANNING

PROJECT	ZONE	TYPE	CLASSIFICATION	DRAWING NO	REVISION
20023	-	AA	[22]	417	P04