

BUILDING LEGEND			
RAINWATER PIPE	PIPE	RWP	SKYLIGHT
RAINWATER GUTTER	GUTTER	RWG	AIR BRICK
SOLVENT PIPE	PIPE	SP	SOLVENT PIPE
AIR VENT		AB	CHIMNEY
			SKL
			AB
			SP
			CH
			29.82m

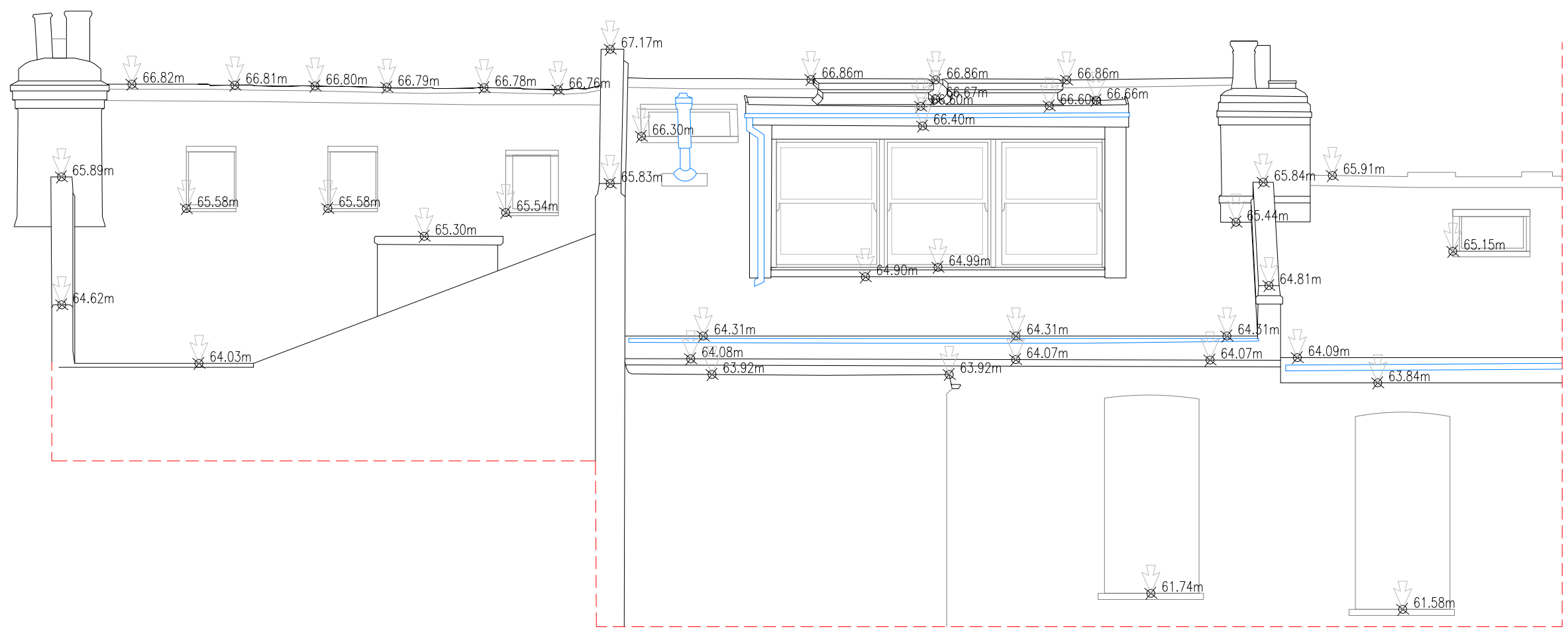
NOTES

GRID THE SURVEY GRID IS BASED ON ONSD COORDINATES

LEVELING ALL LEVELS ARE BASED ON ONSD VALUE DATUM

DRAINAGE INVERT LEVELS, PIPE SIZES AND PIPE CONNECTIONS HAVE BEEN SURVEYED BY VISUAL INSPECTION ONLY AND THEREFORE THE COMPLETE ACCURACY OF THIS INFORMATION CANNOT BE GUARANTEED.

COPYRIGHT: This drawing is copyright and may not be altered, reproduced or used without the written permission of icelabz.



REV	DESCRIPTION	MR	DATE
01	First Visit	MR	02/05/2022

REV	DESCRIPTION	DRAWN	APPR	DATE
02	Updated levels	PV	BR	13/05/22
01		PV	BR	16/05/22

icelabz ICELABZ

Tel No: 02037443020 Fax No: 02089316849
 www.icelabz.co.uk info@icelabz.co.uk

LAND SURVEYING MEASURED BUILDING SURVEY SETTING OUT

PROJECT TITLE 24, Constanine Road, London, Camden, NW3 2NG			
DRAWING DETAIL Rear Elevation			
CLIENT James Dilley	Scale 1:50		
Page Size A3	Checked BR	Approved YR	INFORMATION FINAL
Drawing Number MB-SURV-CR-RE-002	Rev 02	Date 16/05/22	

