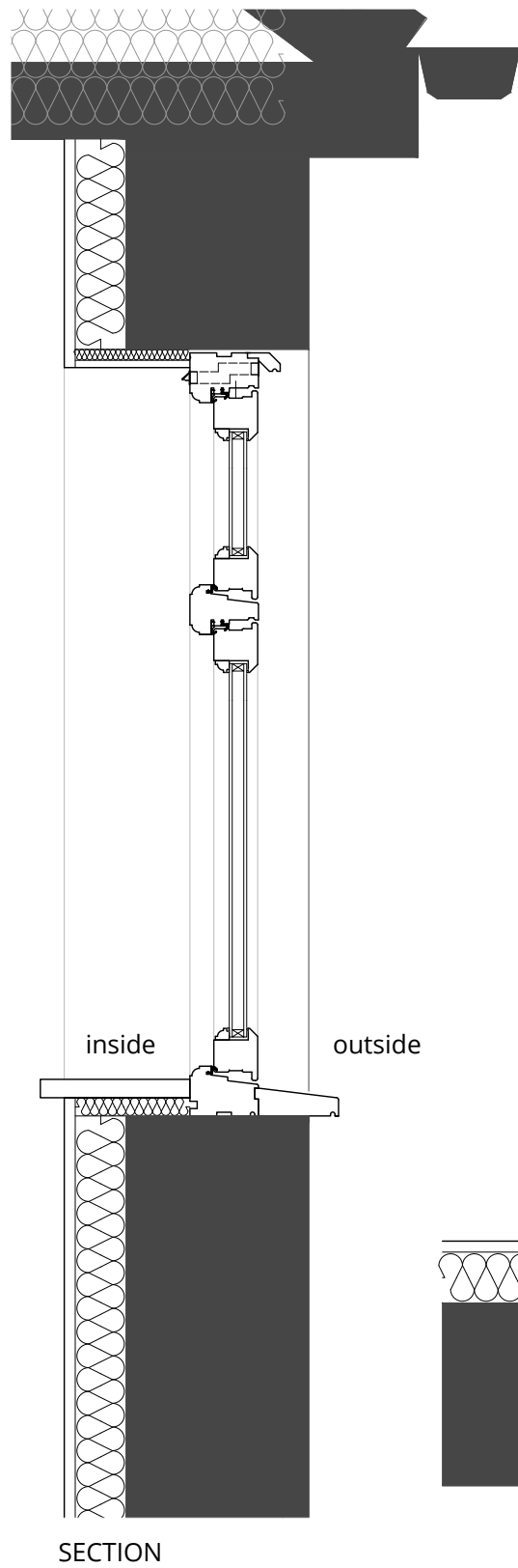
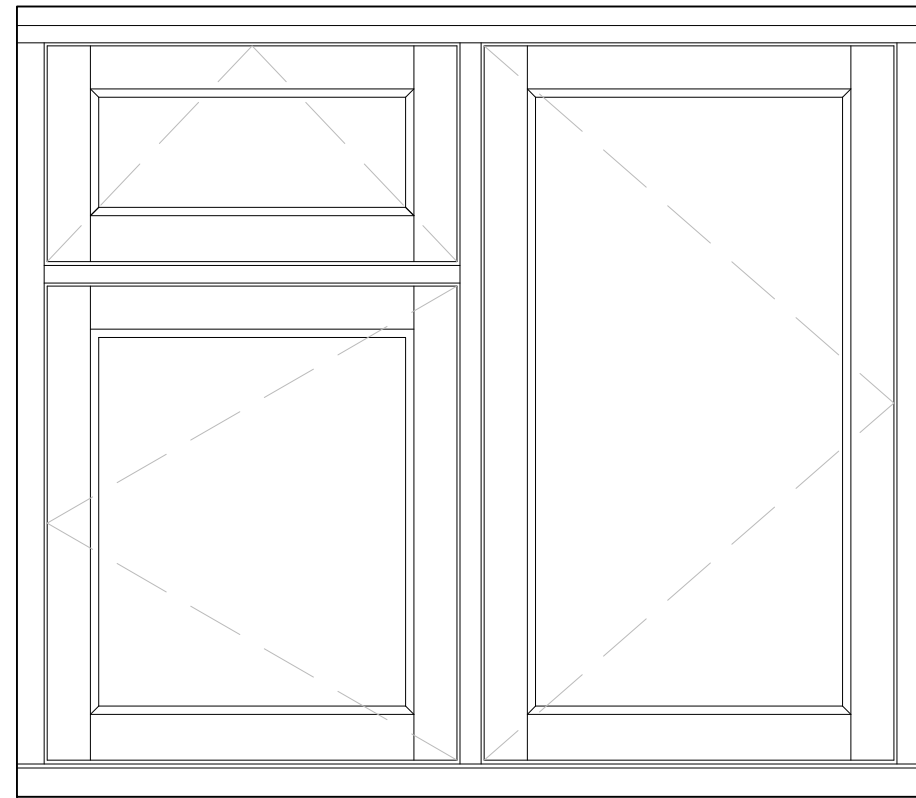


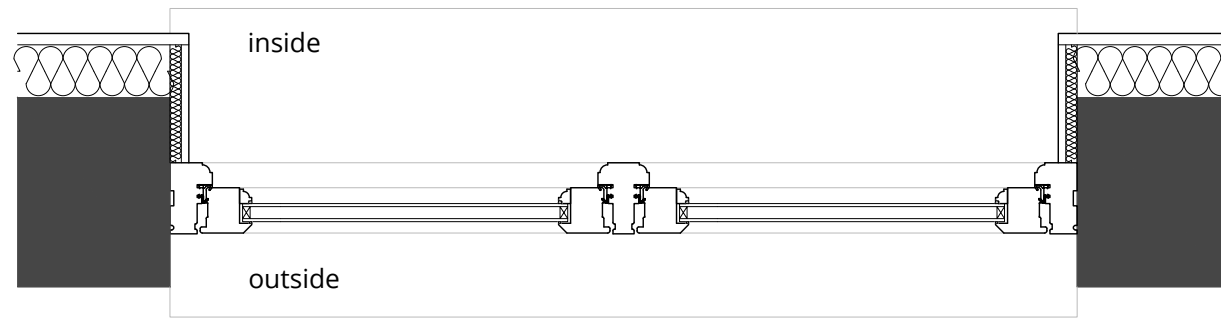
© This drawing is the copyright of Rob Jarratt Architect Ltd. and must not be reproduced without permission and/or licence.
 Do not scale from this drawing - use figured dimensions only. All levels and dimensions to be checked on site. This drawing shows design intent only and is not for construction unless stated. Attention is drawn to the owner / builder to ensure compliance with the Party Wall Act 1996, in particular with regards to Notices required prior to works commencing.



SECTION



ELEVATION

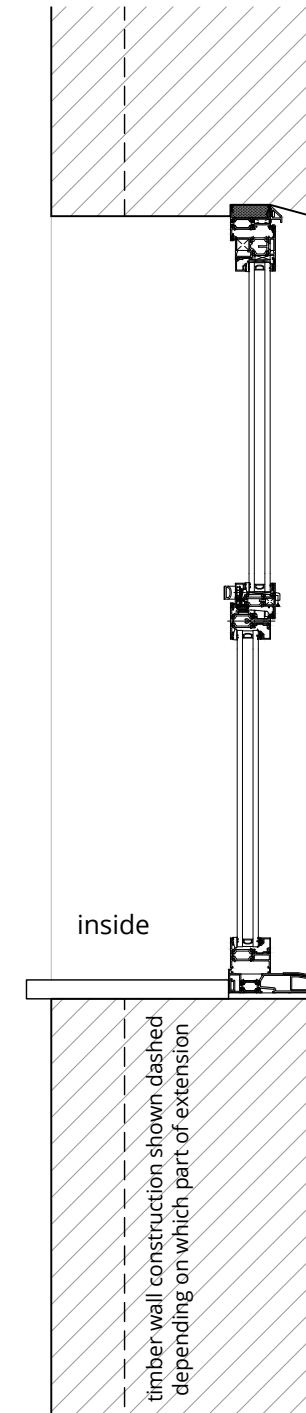


PLAN

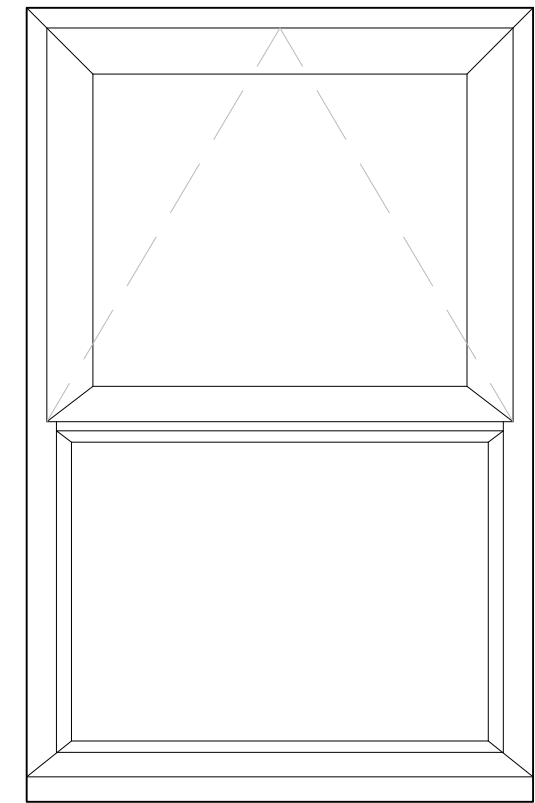
TYPICAL TIMBER WINDOW DETAILS

(Front elevation)

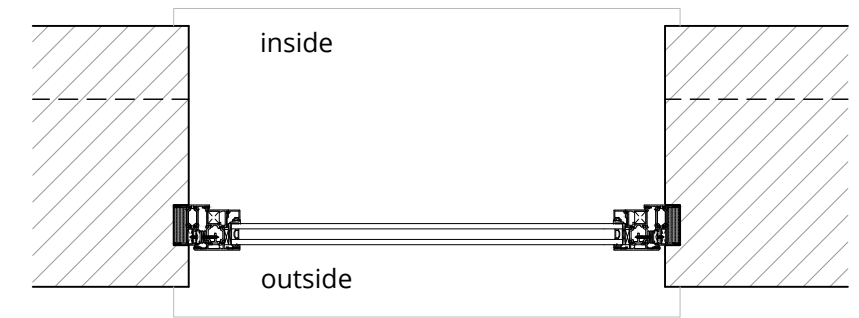
1:10@A3



SECTION



ELEVATION



PLAN

TYPICAL ALUMINIUM WINDOW DETAILS

(Rear and side elevations)

1:10@A3

Rev A - 08.06.2022 - Aluminium window added

client:

Mr & Mrs Shah

project:

57 Westbere Road, West Hampstead,
LONDON NW2 3SP

drawing:

TYPICAL WINDOW DETAILS

rob jarratt architect

01702 597277

studio@robjarrattarchitect.com

www.robjarrattarchitect.com

drawing No.:

0143-29

revision:

A

issue/status:

PLANNING DRAWING

scale:

1:10@A3

drawn by /checked: RJ

issue date:

08.06.2022