

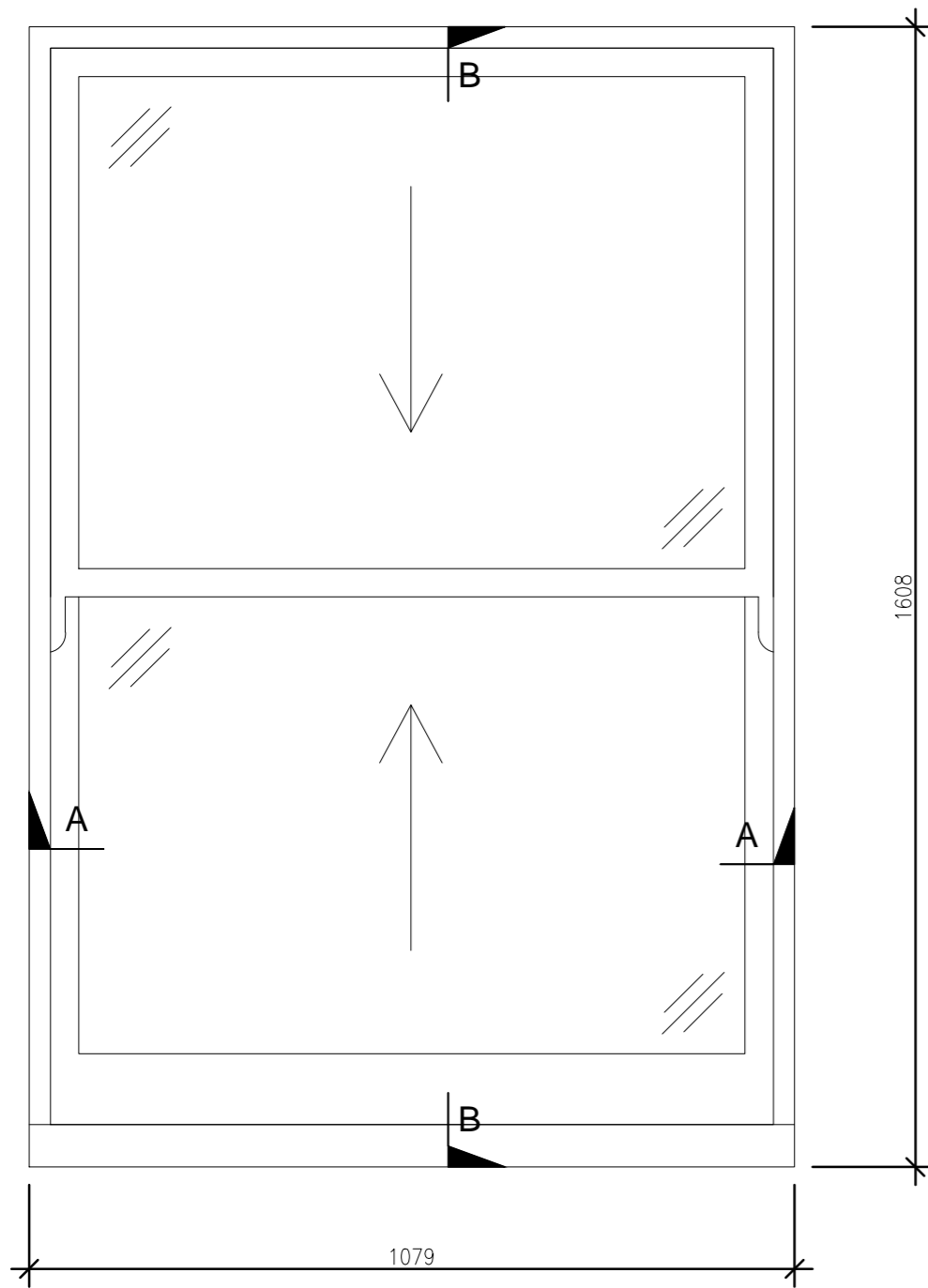
ALL DIMENSIONS, LEVELS AND CLEARANCES TO BE CHECKED ON SITE PRIOR TO WORKS COMMENCING

THIS DRAWING SHOULD BE READ IN CONJUNCTION WITH ALL OTHER PROJECT RELATED DRAWINGS, SPECIFICATIONS AND DOCUMENTS AS PART OF A SINGLE PROJECT PACKAGE.

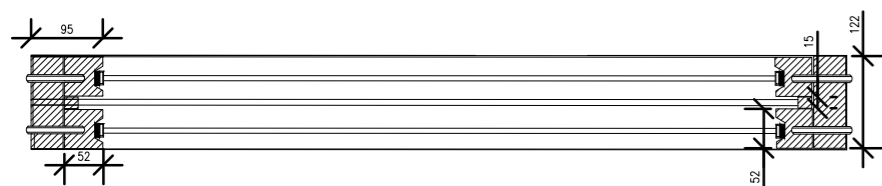
ANY DISCREPANCY BETWEEN THIS DRAWING, OTHER DRAWINGS FORMING PART OF THIS CONTRACT, OR THE SPECIFICATION / BILLS OF QUANTITIES MUST BE CLARIFIED BEFORE COMMENCEMENT OF ANY WORK OR ORDERING OF ANY MATERIALS.

PLEASE CONSULT THE AUTHOR OR PROJECT MANAGER SHOULD THE READER REQUIRE CLARIFICATION ON ANY PART OF THIS DRAWING.

THE COPYRIGHT OF THE DRAWING AND DESIGN IS THE PROPERTY OF THE COMPANY. THIS INFORMATION HAS BEEN ISSUED UNDER SPECIFIC TERMS FOR THIS PROJECT AND MAY ONLY BE USED AND REPRODUCED ACCORDINGLY.



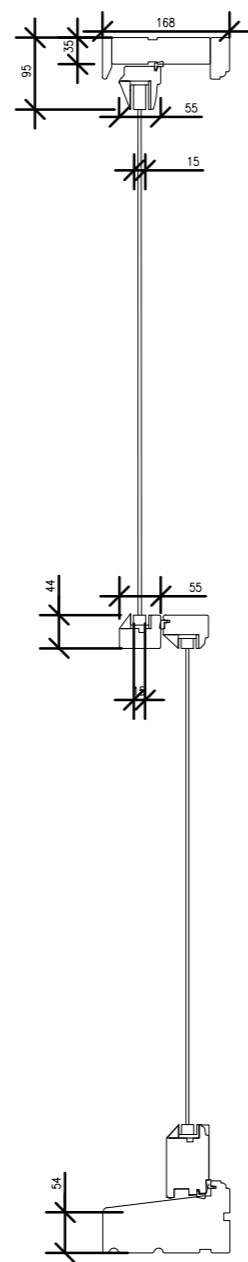
Elevation



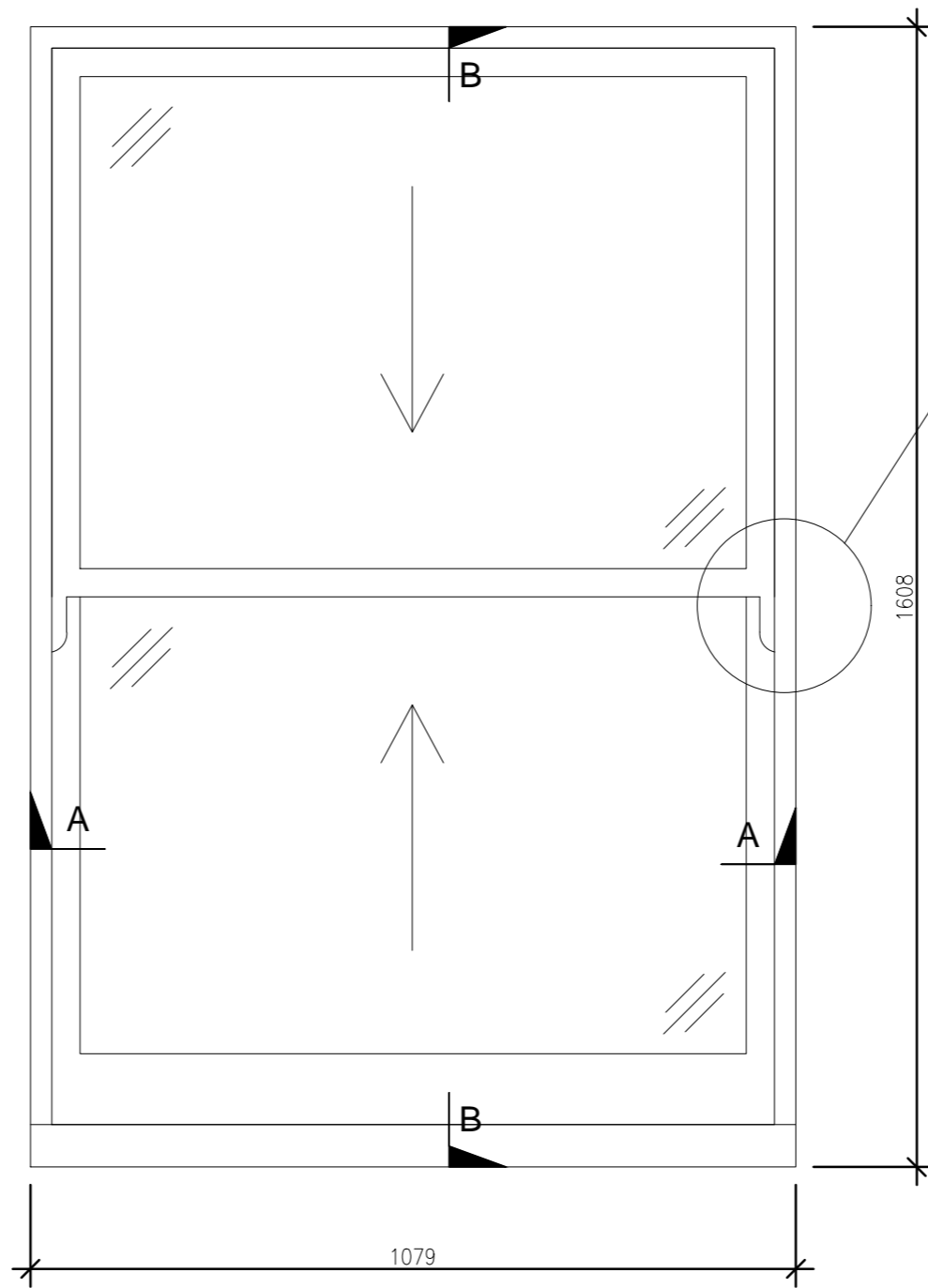
Detail A

EXISTING TYPICAL TIMBER SLIDING SASH WINDOW DETAIL

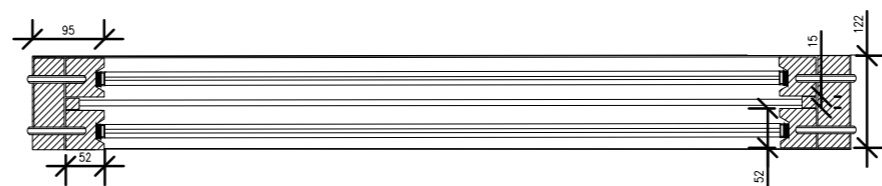
Shown W21 (Refers to W16-W18, W20-W29) - sizes vary similar style
Scale @ 1:10



Detail B



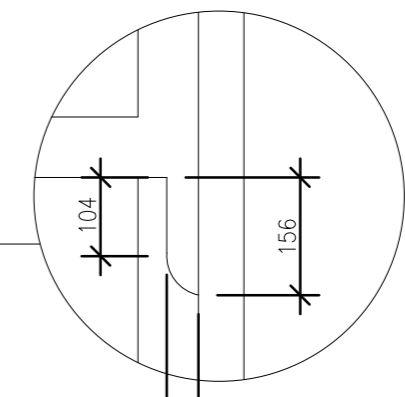
Elevation



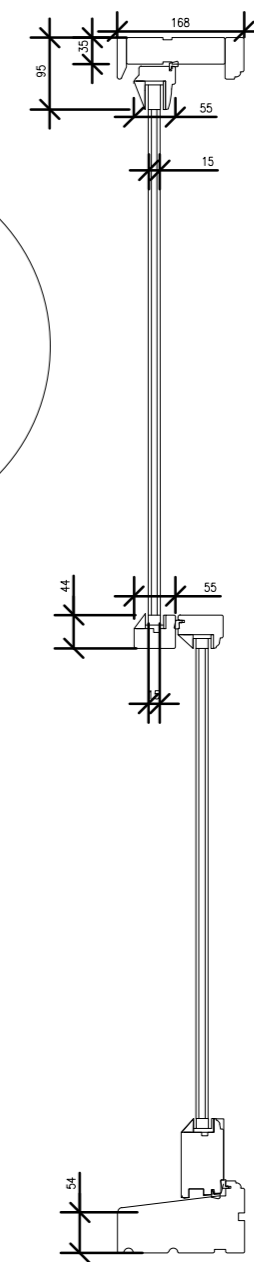
Detail A

PROPOSED TYPICAL TIMBER DOUBLE GLAZED SLIDING WINDOW DETAIL

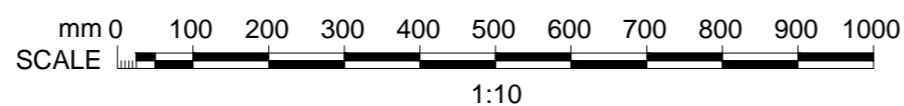
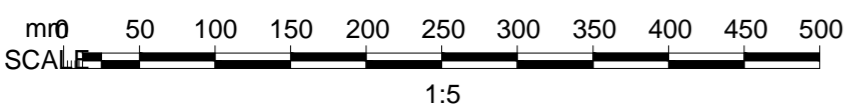
Shown W21 (Refers to W16-W18, W20-W29) - sizes vary similar style



HORN DETAIL
Scale @ 1:5



Detail B




NOTES

Rev	Date	By	Chk	Apr	Comment
P01	18.04.22	SEJ/BG	JM		Planning Issue

Rev	Date	By	Chk	Apr	Comment
P01	18.04.22	SEJ/BG	JM		Planning Issue

BRINGING IDEAS TO LIFE



FRANKHAM

Frankham Consultancy Group Limited
E: enquire@frankham.com
www.frankham.com

SIDCUP OFFICE Irene House Five Arches Business Park Maldstone Road Sidcup, Kent DA14 5AE T: 020 8309 7777	OXFORD OFFICE Citibase Oxford New Barclay House 234 Botley Road Oxford OX2 0HP T: 01865 322500
LONDON OFFICE First Floor Bridge House 181 Queen Victoria Street London EC4V 4EG T: 020 7651 0790	STEVENAGE OFFICE Suite 237, Second Floor Kings Court Business Centre London Road, Stevenage Hertfordshire SG1 2NG T: 020 3714 7063

Client:
AD Group

Project Title:
**2 Shoot-up Hill,
Camden, NW2 3QN
Windows and Side Door
Replacement Works**

Drawing Title:
Existing and Proposed Window Details 2

Status:
PLANNING ISSUE

Drawn By: SEJ	Designed By: SEJ	Checked By: BG	Approved By: JM
Original Issue Date: 18/04/2022		Scale @ A2: 1:10	

Job No/ File Ref 228021	Originator FCG	Zone MB	Level EL
Type DR	Discipline B	Number 2401	Suitability S4
		Revision P01	