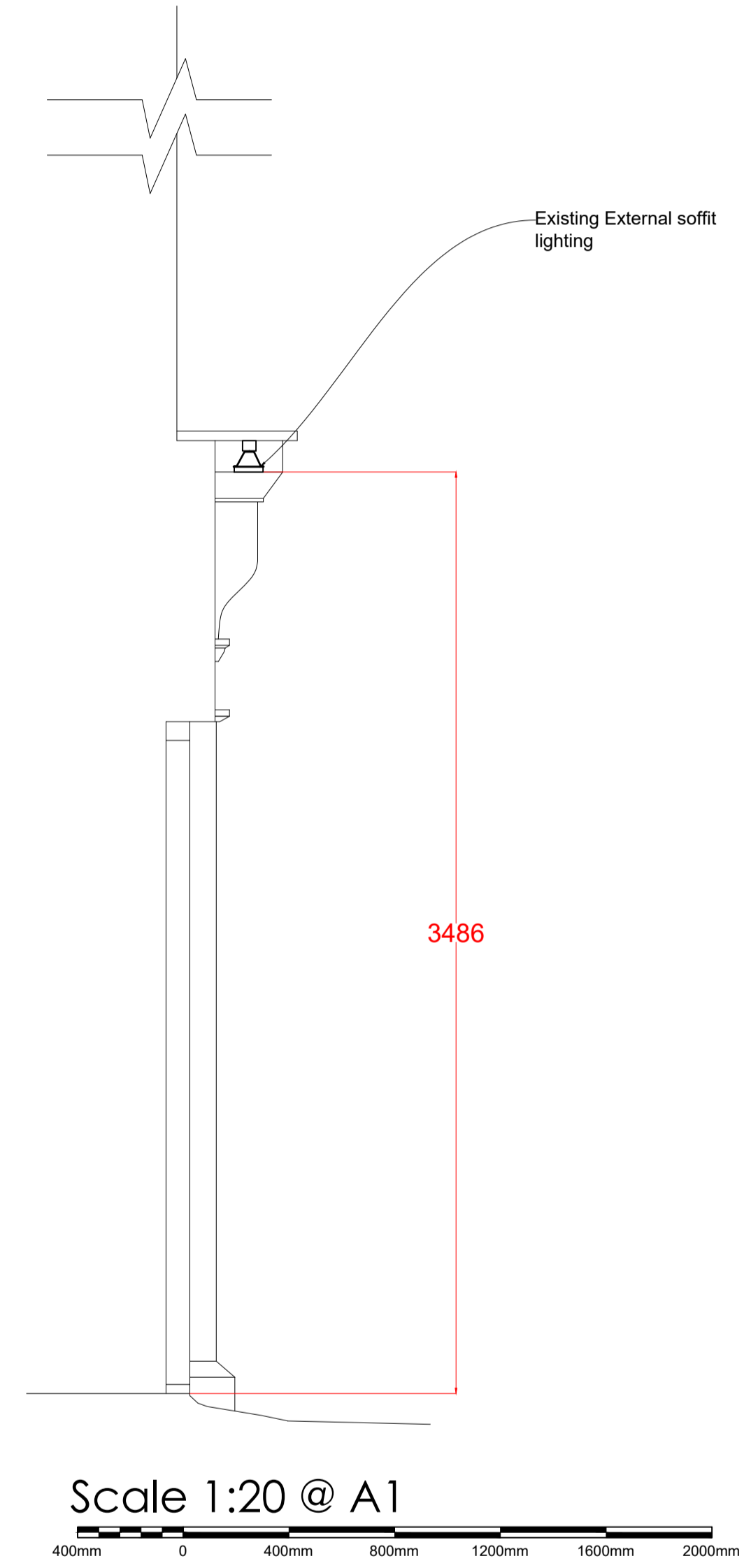




Shop Front
Reference Colour



GENERAL NOTES

1. ALL WORKS WITHIN THIS DOCUMENT TO BE INSTALLED/CARRIED OUT IN COMPLIANCE WITH THE LATEST BUILDING REGULATIONS AND BRITISH STANDARDS.
2. CONTRACTOR TO CHECK AND VERIFY ALL ON-SITE DIMENSIONS PRIOR TO MANUFACTURE/INSTALLATION AND MUST REPORT ANY DISCREPANCIES BACK TO RETAIL DESIGN SOLUTIONS. FAILURE TO DO SO WILL BE AT THE CONTRACTORS RISK.
3. THIS DRAWING MUST NOT BE SCALED. WORK TO DIMENSIONS ONLY.
4. ANY CONSTRUCTION/WORK IN THIS DRAWING IS THE RESPONSIBILITY OF THE CONTRACTOR TO ENSURE THEY ARE FIT FOR PURPOSE AND TO MAKE AMENDMENTS WHERE NECESSARY PRIOR TO INSTALLATION.
5. THE CONTENTS OF THIS DOCUMENT ARE THE PROPERTY OF RETAIL DESIGN SOLUTIONS AND MUST NOT BE COPIED OR DISTRIBUTED IN WHOLE OR PART WITHOUT FORMAL CONSENT.

DATE	NOTES
30.03.22	EXISTING LAYOUTS PRODUCED
01.04.22	PROPOSED LAYOUTS PRODUCED

PROJECT CREPE DELICIOUS
ADDRESS
 89 LEATHER LANE
 CENTRAL LONDON
 EC1N 7TS

PROPOSED EXTERNAL ELEVATION

SCALE 3.2 **SCALE** 1:25@A1



DRAWN BY

 The Mill Store, Foundry Lane, Earls Colne, Essex, CO6 2SB
 Tel. 01787 224878

Proposed Front Elevation
 Scale 1:25 @ A1

