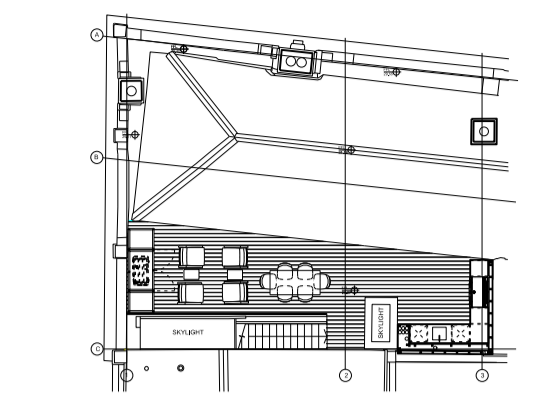


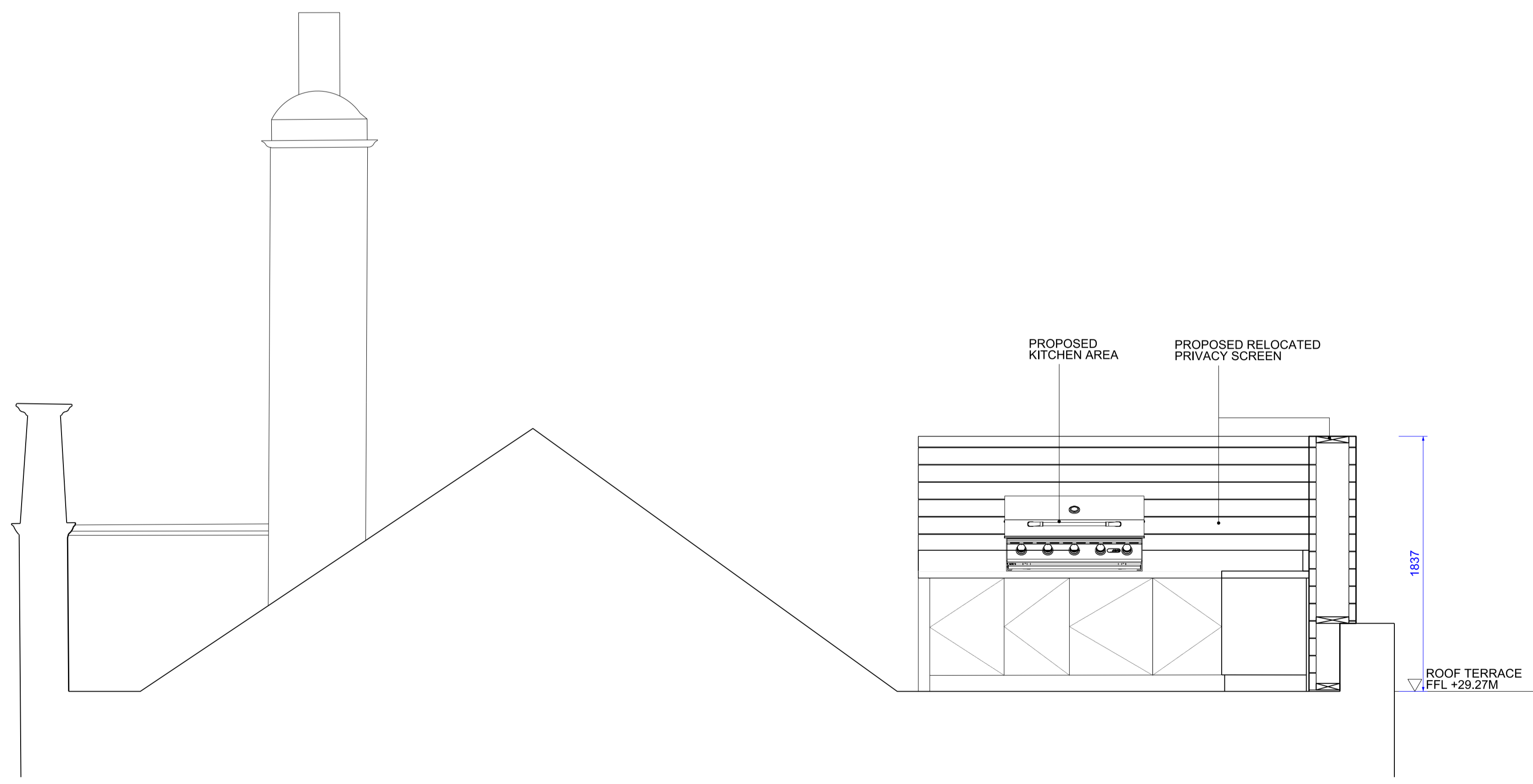
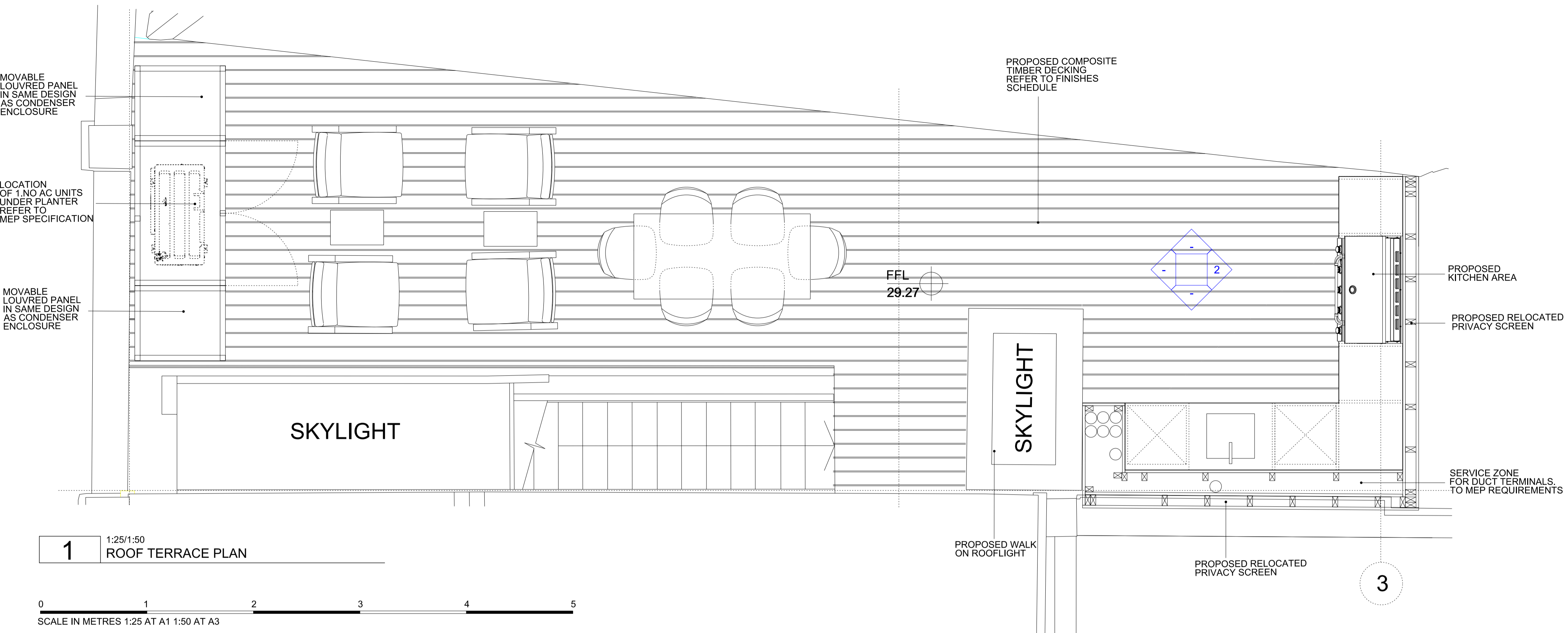
THIS DRAWING IS PROTECTED BY COPYRIGHT AND MUST NOT BE COPIED OR REPRODUCED WITHOUT THE WRITTEN CONSENT OF CHRIS DYSON ARCHITECTS LIMITED. NO DIMENSIONS ARE TO BE TAKEN FROM THIS DRAWING. ALL DIMENSIONS AND ISSUES TO BE CHECKED ON SITE. NORTH POINTS SHOWN ARE INDICATIVE.

SITE SPECIFIC HAZARDS

IN ACCORDANCE WITH THE REQUIREMENTS OF THE COM REGULATIONS 2007 THE FOLLOWING SIGNIFICANT RESIDUAL HAZARDS HAVE NOT BEEN DESIGNER OUT OF THE PROJECT AND MUST BE TAKEN INTO CONSIDERATION BY CONTRACTORS PLANNING TO UNDERTAKE THE WORKS SHOWN ON THIS DRAWING.



3 1:250 ROOF PLAN



A	05.07.22	PLANNING APPLICATION	DY/JC
REV	DATE	NOTES	INIT.
PROJECT 25 JOHN'S MEWS, BLOOMSBURY, WC1N 2NT			
DRAWING TITLE PROPOSED ROOF TERRACE ELEVATIONS			
STATUS STAGE 3			
DATE	DRAWN	CHECK	SCALE
10.05.2022	DY	JC	1:50
PROJECT NUMBER	UNIT / BLOCK	CU / SEB CODE	TYPE & REVISION NUMBER LETTER
0468	A	1320	A