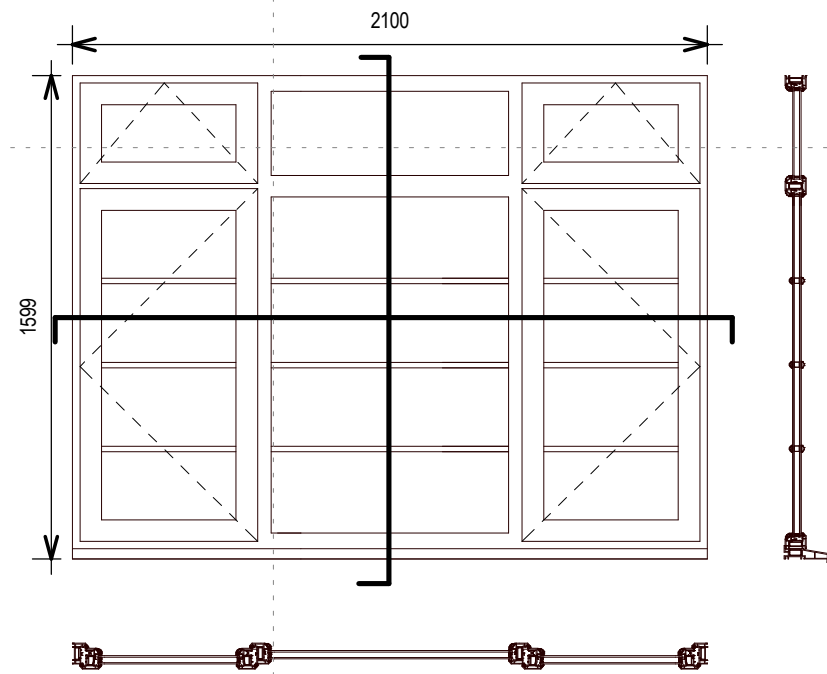
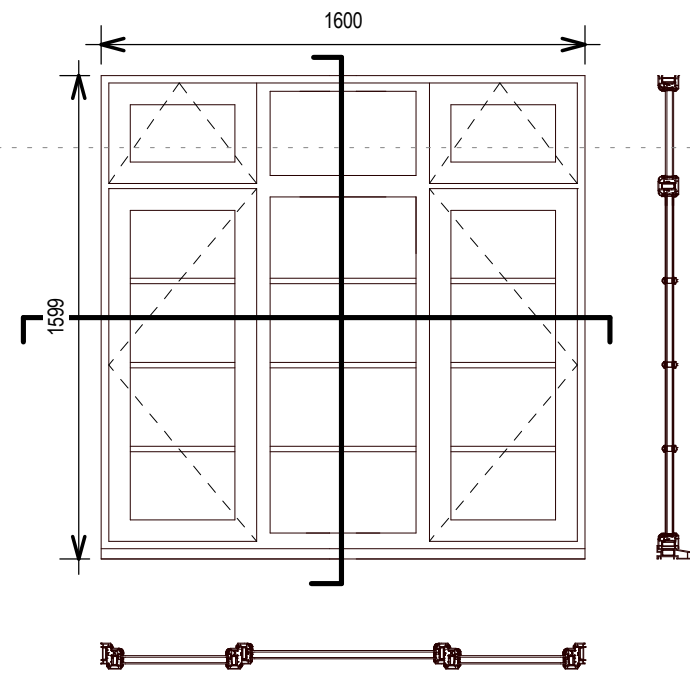


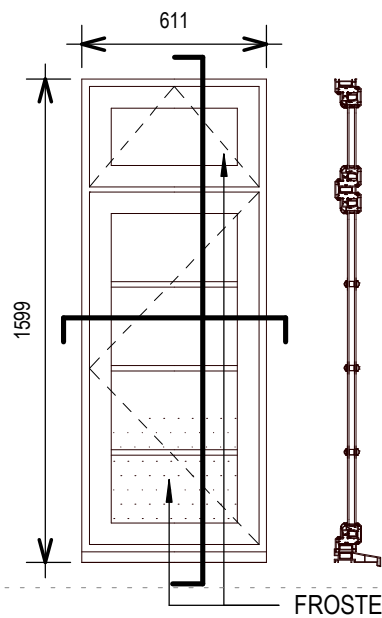
WINDOW 1 - WINDOW TYPE A



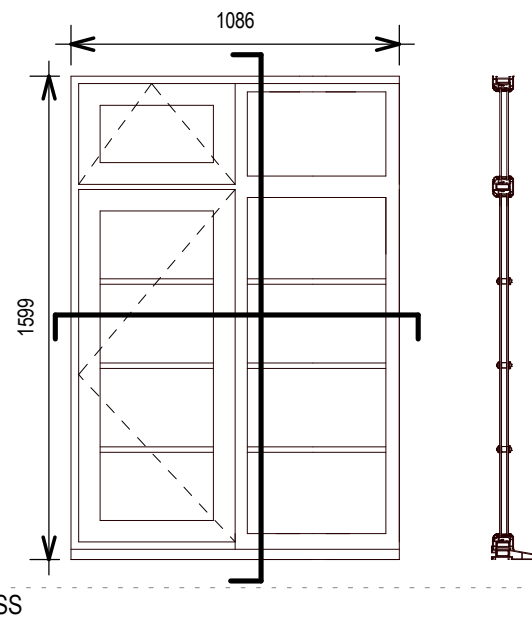
WINDOW 2 - WINDOW TYPE A



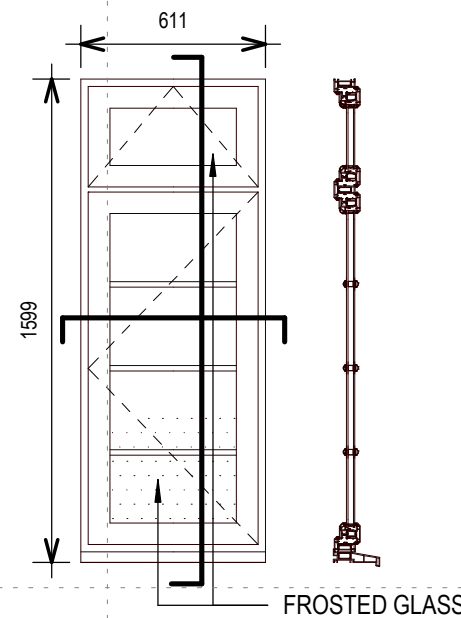
WINDOW 3 - WINDOW TYPE B



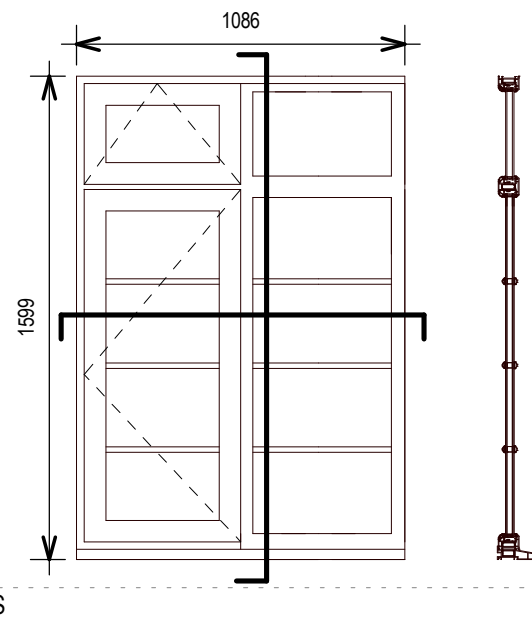
WINDOW 4 - WINDOW TYPE C



WINDOW 5 - WINDOW TYPE D



WINDOW 6 - WINDOW TYPE C



WINDOW 7 - WINDOW TYPE D

Project
62 HILLFIELD COURT,
NW3 4BG

Prepared for
Mr Jeong Cheol Bae

HMJK

85 Great Portland Street
First Floor
London
W1W 7LT

All reproduction & intellectual property rights reserved © 2022

Do not scale dimensions from drawings
Site verify all dimensions prior to construction
Report all discrepancies to HMJK immediately
This drawing is to be read in conjunction with all relevant documents and drawings
This drawing is not for the construction

Rev.	Description	Date
01	Planning Submission	2022/06/23

Drawn by: HMJK Reviewed by: HMJK
Approved by: HMJK Scale @A3: 1:25

Project No 2203HC

Sheet Title:

**WINDOW TYPE
DRAWING**

Original drawing is A3. Do not scale this drawing.

Sheet Number:
A901

Status: Revision: 01

SCALE 1:25

