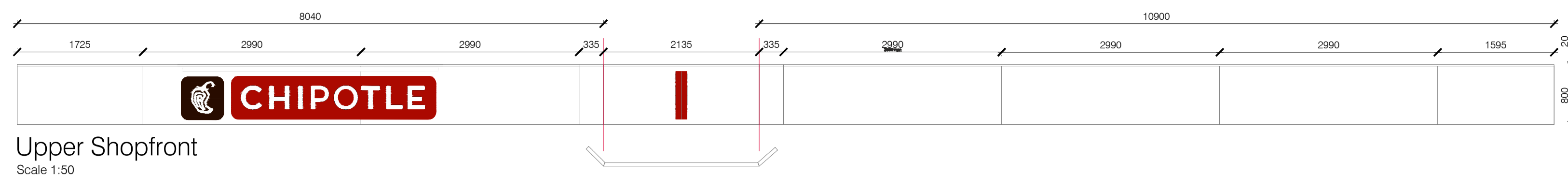
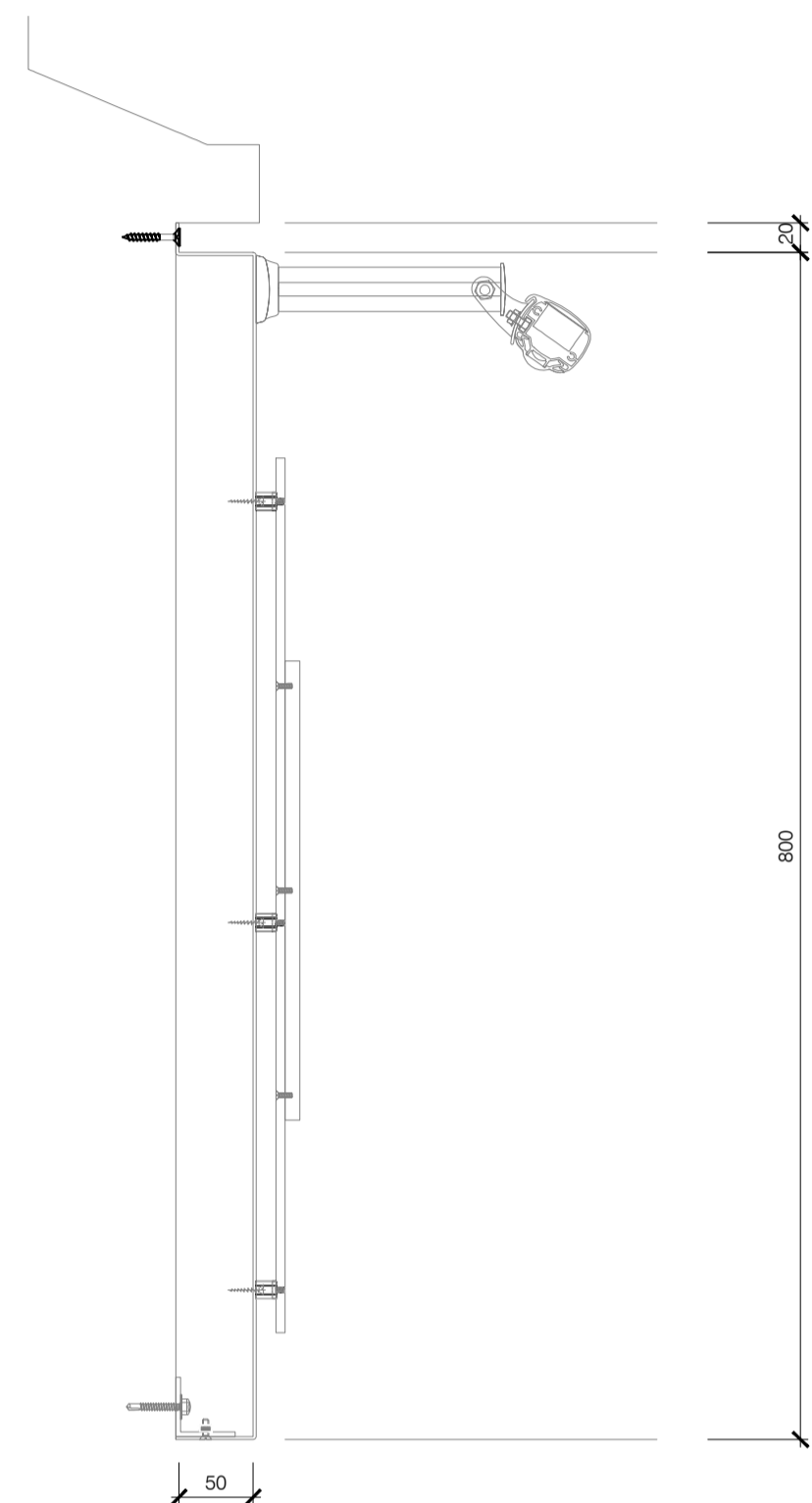


REVISIONS			
Rev	by	Date	Comment



Upper Shopfront
Scale 1:50



Section Detail
Scale 1:5



Logo Detail
Scale 1:20

Fascia Panels
2mm folded aluminium panels @ 50mm deep, 20mm fixing up-stands, 38 x 38 x 3mm aluminium angle fixing rails to lower panel returns.

R/H fascia = 10900 x 820 x 50mm deep, L/H fascia = 8040 x 820 x 50mm
Corner Fascia = 2135 x 820 x 50mm, Panels finished RAL Satin White.

Logo Panels:
6mm thick flat aluminium panels finished Brown PMS 462C (RAL 8028) lettering panel 'CHIPOTLE' finished PMS 484C (RAL 3013).

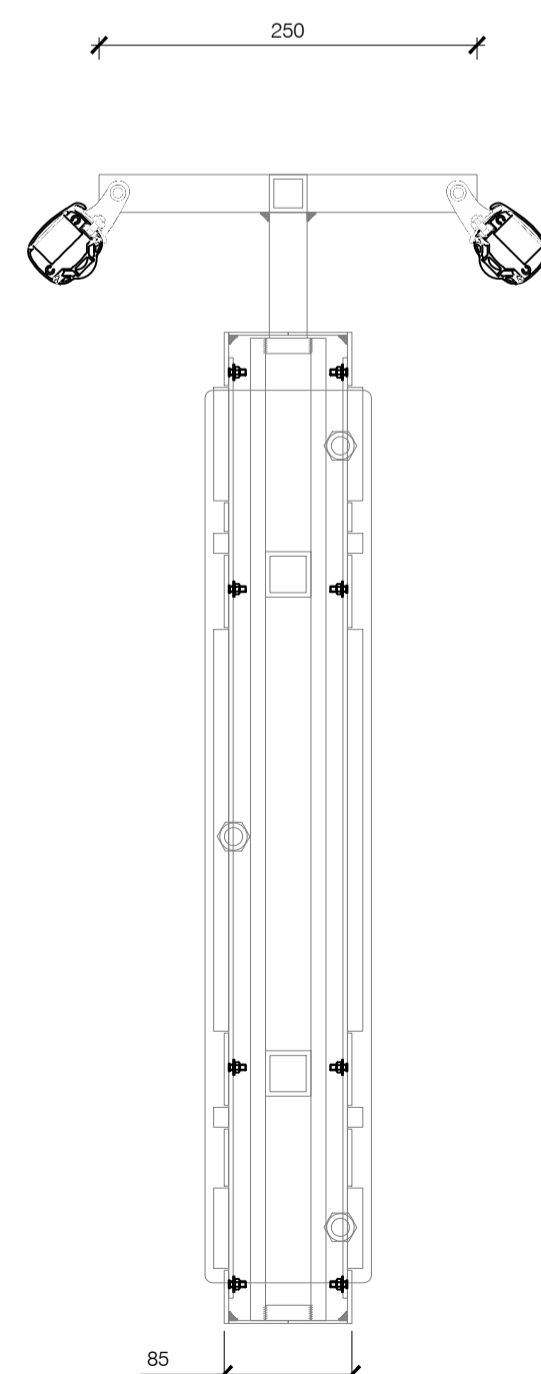
Lettering and logo:
10mm thick white acrylic CSK fixed from the rear of 6mm aluminium panels.

Illumination:
Down light illumination provided via Ecolux Mini Pelmet light / 12v 6500k cool white LED's - Colour temp TBC. Pelmet light also finished RAL Satin White matching fascia panels.

240v Power supply brought to sign locations by Main Contractor.



Projecting Sign
Scale 1:5



1no. Double Sided Projection Sign.

30 x 30 x 3mm mild steel SHS frame with welded 6mm steel fixing plate - finished RAL Satin White, 3mm built up 650mm Ø x 40mm deep aluminium panels with 10mm foamex back trays - back trays fixed either side of steel frame 10mm foamex support/packers (see detail).

Panels:
Stencil cut 650mm diameter x 40mm deep, built up fabricated aluminium powder coated brown & red in corporate colours.

Lettering & Logo:
Backed up & push through 10mm thick white 069 acrylic, stud fixed 3mm opal carrier panels

Illumination:
Ecolux Mini Pelmet lights also finished RAL Satin White cool white 6500k illumination.

240v Power supply brought to sign locations by Main Contractor.

FINAL ISSUE

CLIENT	
PROJECT	
208 West End Lane West Hampstead NW6 1UV	
TITLE	
External Elevations Proposed	
DRAWN	CHECKED
RA	VM
SCALE @ A1	DATE
1:50	June 2022
DRAWING NO.	
4985/05-2/	