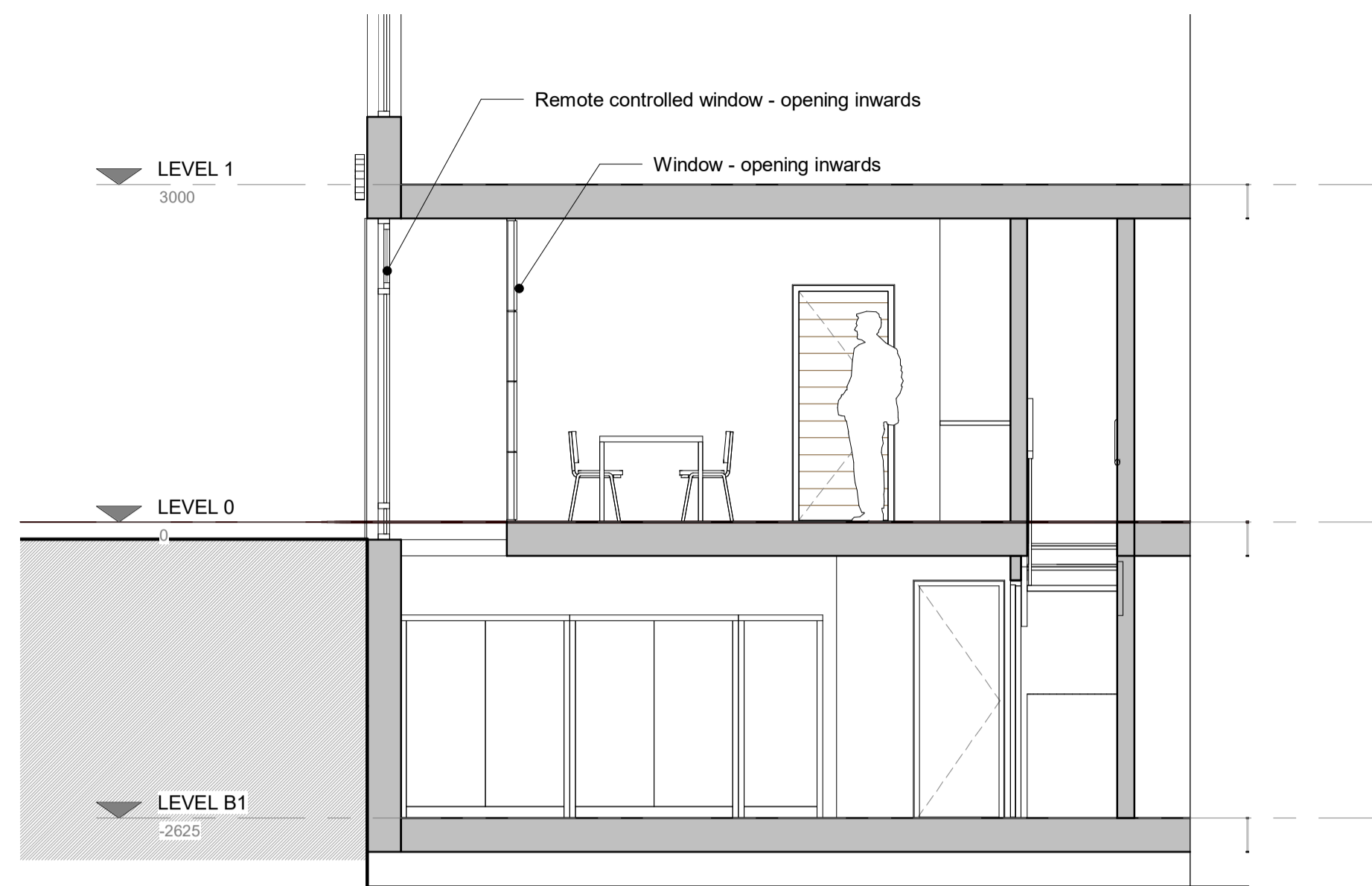
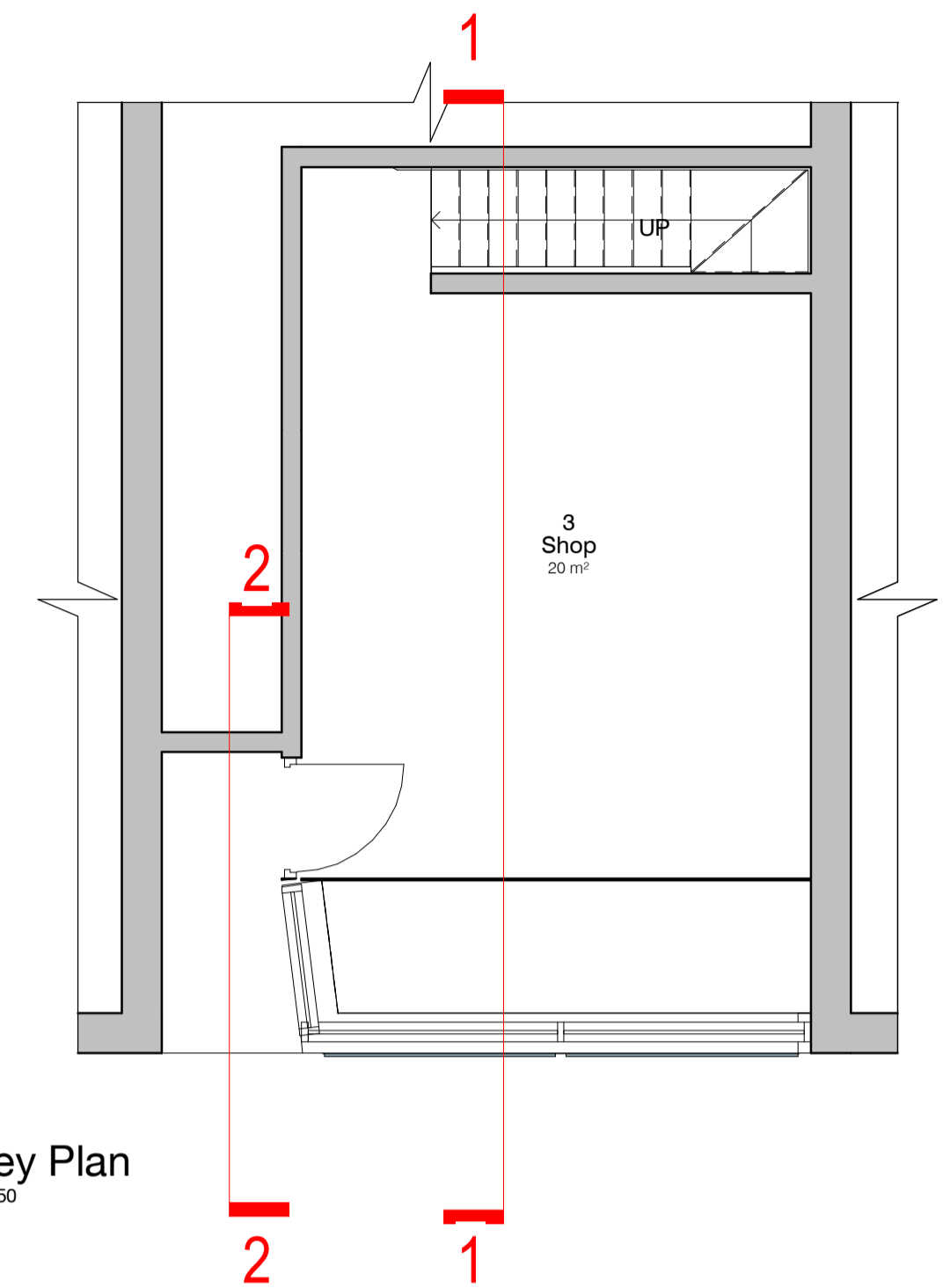


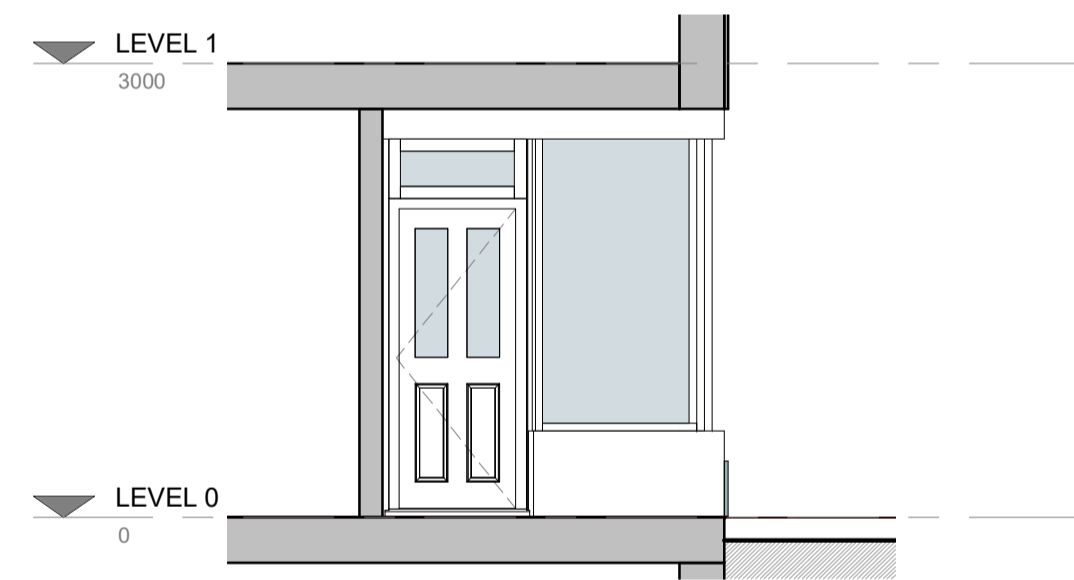
7. Section 1 Existing
1:50



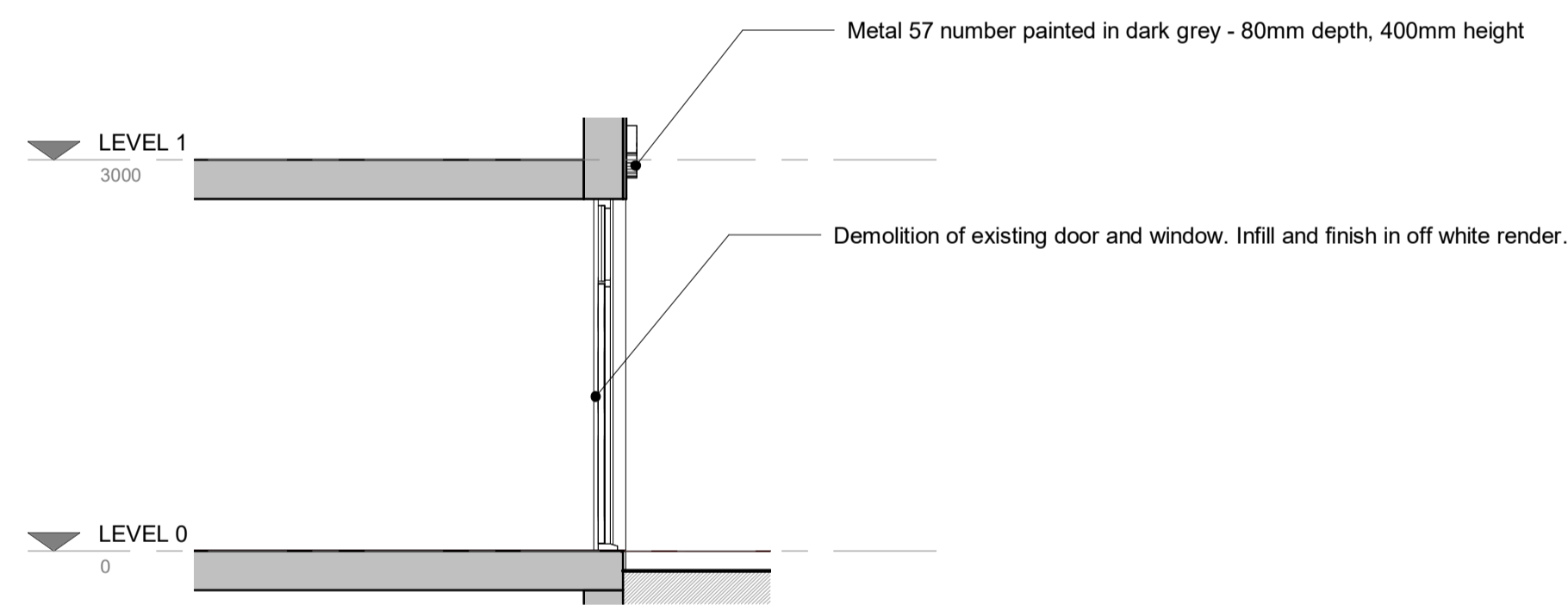
1. Section 1 Proposed
1:50



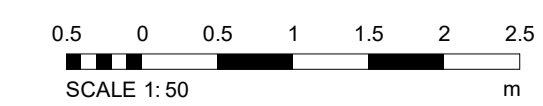
4. Key Plan
1:50



2. Section 2 - Existing
1:50



3. Section 2 - Proposed
1:50



| PROJECT | SCALE @ A1 | DATE | DRAWN BY |
|--|-------------|-------------|----------|
| 57 Fortress Road, London | 1 : 50 | 06 APR 2022 | PY |
| CLIENT | STATUS | | |
| Sharer Investments (3) Ltd | PLANNING | | |
| TITLE | PROJECT NO. | DRAWING NO. | REV. |
| Existing and Proposed Sections | DA21078. | 002. | 3 |
| <small> COPYRIGHT: ALL RIGHTS RESERVED THIS DRAWING MUST NOT BE REPRODUCED WITHOUT PRIOR WRITTEN CONSENT GRANTED TO BE USED FOR THE EXCLUSIVE PROJECT ONLY ALL DIMENSIONS AND RELATIONS SHOWN SHALL BE CHECKED AND CONFIRMED ON SITE AND CORRECTED TO BE ACCORDANT TO THE DIMENSIONS SHOWN ACCORDANCE WITH THE CURRENT STATUTORY LEGISLATION, RELEVANT CODES OF PRACTICE AND BEST PRACTICE. ALL DIMENSIONS ON THIS DRAWING SHALL BE METRIC UNLESS OTHERWISE SPECIFIED. </small> | | | |

