



architects

12 Blackstock Mews
London
N4 2BT

t: +44 (0) 20 7998 7651
m: +44 (0) 78 8267 6709
e: mail@hjarchitecture.co.uk

This drawing and design is for use solely in connection with the project described below. The drawing and the design is the copyright of H and J architecture and must not be reissued, loaned or copied without written consent. All dimensions and setting out to be checked on site before construction. Do not scale from this drawing. The drawing is to be read in conjunction with all other information relevant to the project. Any apparent discrepancy to be brought to the attention of the architect.

status
PLANNING

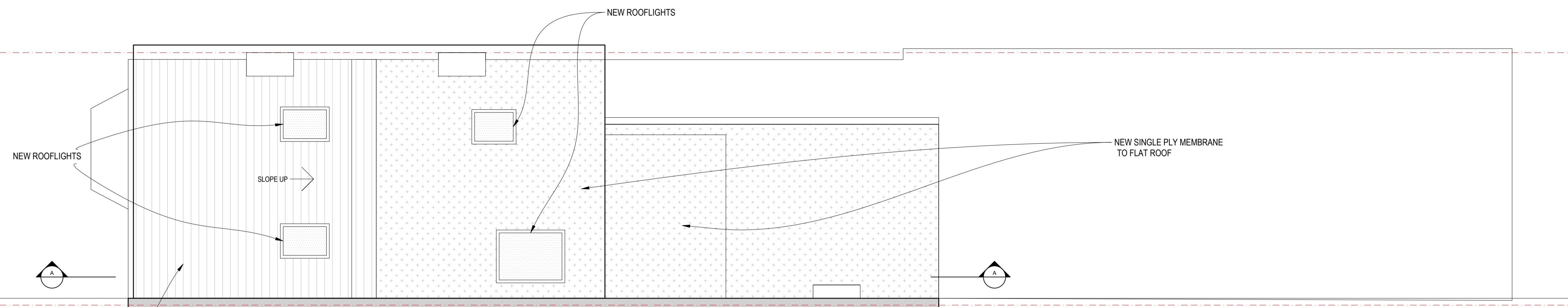
scale size
1:50 A1

project
12 INGHAM ROAD

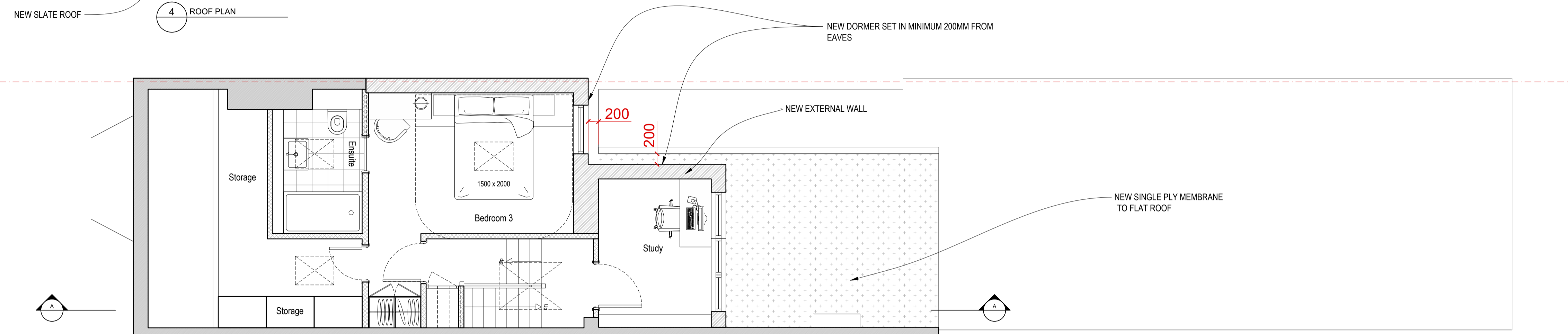
drawing
Planning Application:
Plans:
Ground/First/Loft/Roof
as Proposed

drawing number revision
2117-PA-PL-11 C

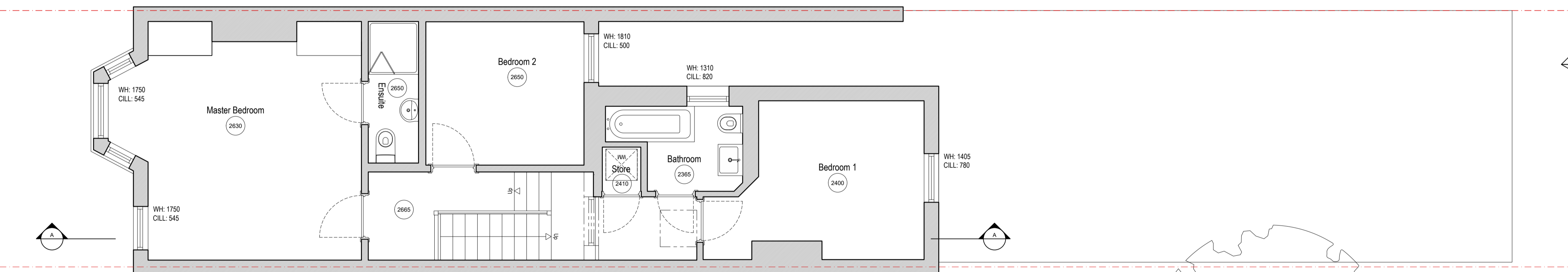
--	--	--	--	--	--



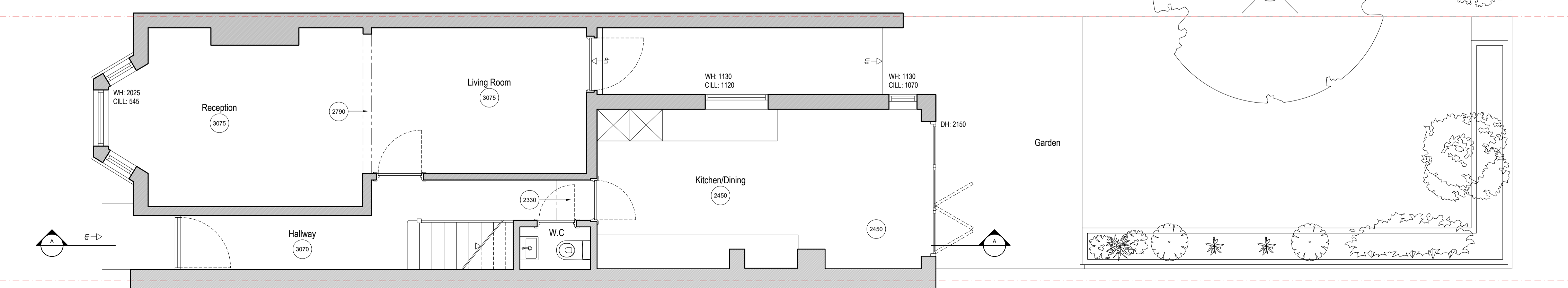
4 ROOF PLAN



3 LOFT PLAN

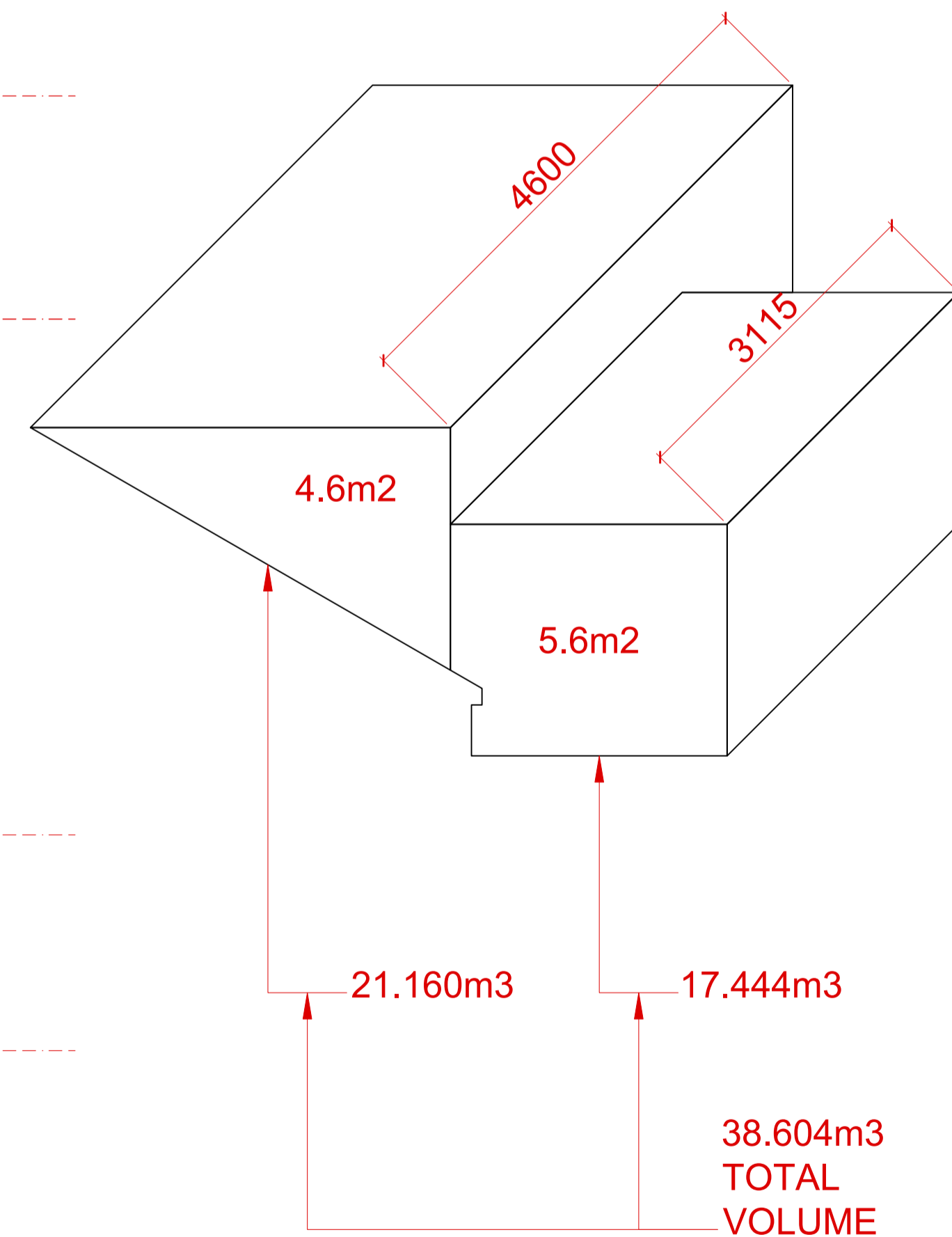


2 FIRST FLOOR PLAN



1 GROUND FLOOR PLAN

VOLUME CALCULATION



Walls Key
 Existing Walls
 New External Walls
 New Internal Walls

0 1 2 5
Metres
Scale 1:50
NORTH