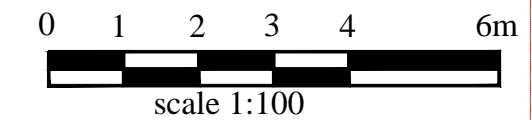
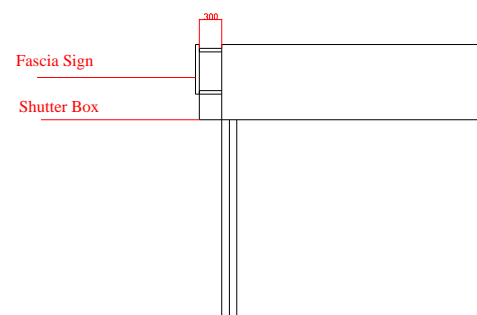


- Notes
- 1- This drawing is not for construction
  - 2- All Dimension are in millimeters
  - 3- Dimensions are not to be scaled directly from drawings
  - 4- All dimensions are to be checked on site and the Architect is to be inform of any discrepancies before construction commences
  - 5- All references to drawings refer to current revision of that drawing
  - 6- The Copyright of this drawing belongs to Echinus Design Studio Limited.



Gordon House Road Elevations



Section Of Shopfront

FULL PLANNING APPLICATION	
	<b>ECHINUS DESIGN STUDIO</b> 27 Old Gloucester Street, WC1N 3AX <a href="http://www.echinusdesignstudio.com">www.echinusdesignstudio.com</a>
	Client MR AZIZ Project 155-157 High Gate Road, NW5 1LJ Scale 1/100@A3 Date 05/2022 Drawn By E.A.
Drawing No. <b>A104</b>	
Drawing title <b>Proposed Side Elevations</b>	