

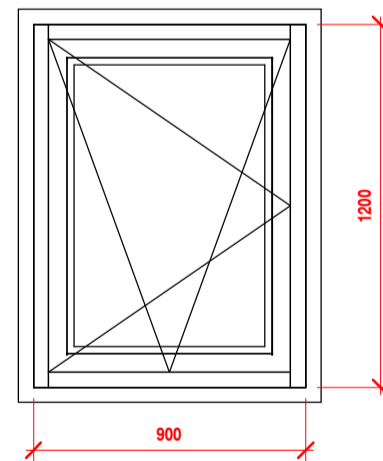


**1. EAST (REFS)**  
1 : 150

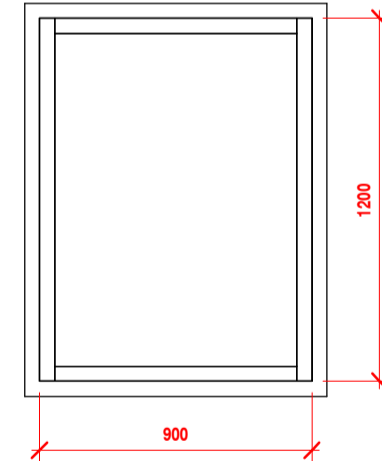


**2. WEST (REFS)**  
1 : 150

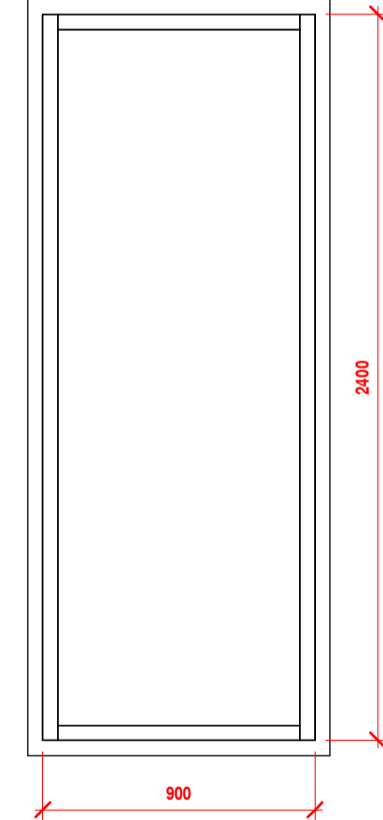
**WINDOW TYPE 1 (LEVELS 4 & 5 ONLY)**  
TILT & TURN  
900mm X 1200mm



**WINDOW TYPE 2 (LEVEL 1, 2 & 3)**  
FIXED WINDOW  
900mm X 1200mm



**WINDOW TYPE 3 (GF TO LEVEL 5)**  
FIXED WINDOW (LARGE)  
900mm X 2400mm



C01	FISRT ISSUE	04.05.22 DRP	04.05.22 TC	04.05.22 KP	<p>HS2 accepts no responsibility for any circumstances which arise from the reproduction of this document after alteration, amendment or abbreviation or if it is issued in part or issued incompletely in any way.</p> <p>© Crown Copyright and database right 2020. All rights reserved. Ordnance Survey Licence number 100049190</p> <p>© Crown Copyright material is reproduced with the permission of Land Registry under delegated authority from the Controller of HMSO.</p> <p>This material was last updated on 2020 and may not be copied, distributed, sold or published without the formal permission of Land Registry. Only an official copy of a title plan or register obtained from the Land Registry may be used for legal or other official purposes.</p>
Rev	Description	Drawn	Checked	Approved	Con App

Legends/Notes:

**HS2**

OFFICIAL

Registered in England  
Registration No. 06791686  
Registered office:  
2 Snow Hill, Queensway,  
Birmingham, B4 6GA

Stage	5	Project/Contract	EUSTON STATION		Creator/Originator	PREMIER MODULAR		Sub-Originator
Drawing Title	1200S03		Work Package Description		Discipline/Function		ARCHITECTURAL	
Drawing Title	PROPOSED ELEVATIONS NORTH & SOUTH		Drawn by	Checked by	Approved by	Date	System Description	
			DRP	TC	KP	04.05.22		
Scale	1:150	Size	A1	Suitability	S3	Rev.	C01	
Drawing No.	SK118							