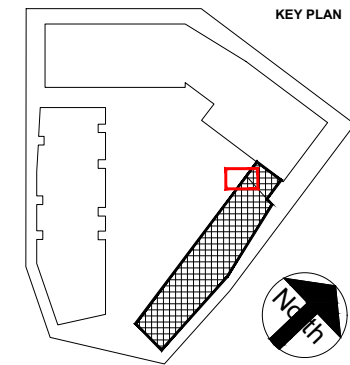
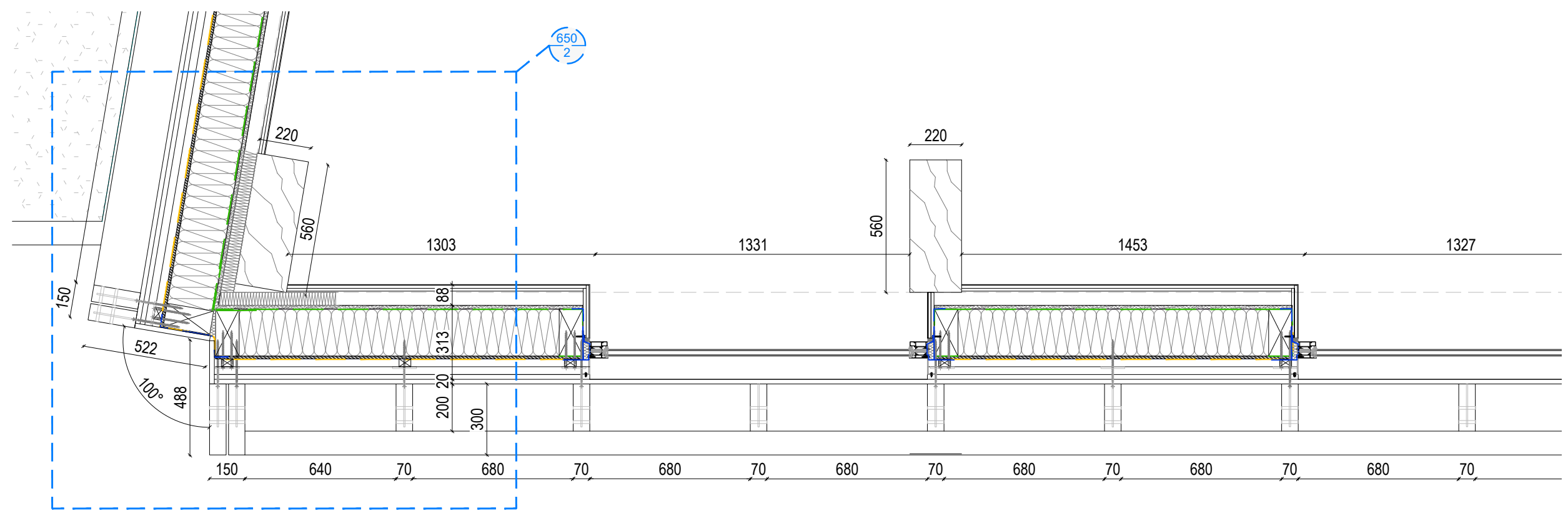


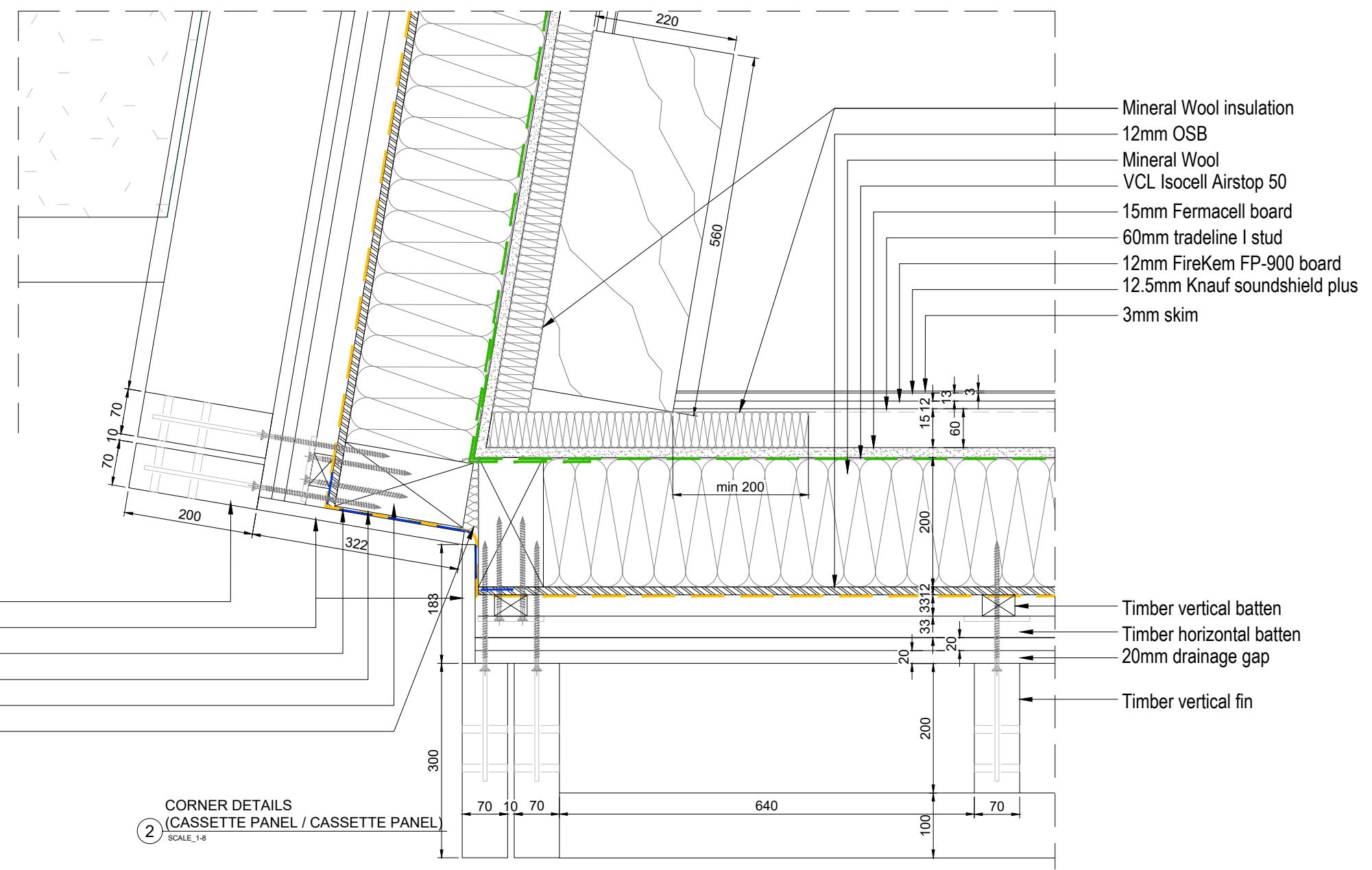
DO NOT SCALE DIMENSIONS OF THIS DRAWING.
 CHECK ALL DIMENSIONS ON SITE BEFORE FABRICATION.
 FINAL COORDINATION AND CHECKS ARE RESPONSIBILITY OF THE SITE TEAM
 TO SUIT CONDITIONS AND TOLERANCES BEFORE ANY INSTALLATION.
 REPORT ALL ERRORS OR OMISSIONS TO MIDGARD LIMITED.
 THIS DRAWING IS PROTECTED UNDER COPYRIGHT AND SHALL NOT BE
 REPRODUCED IN PART OR WHOLE WITHOUT PRIOR EXPRESSED
 PERMISSION OF MIDGARD LIMITED.



GENERAL NOTES:
 - TO BE READ IN CONJUNCTION WITH 20 SERIES
 GENERAL ARRANGEMENT PLANS & ELEVATION
 DRAWINGS.



1 SECOND FLOOR NORTH-WEST CORNER
 SCALE_1:20



- Mineral Wool insulation
- 12mm OSB
- Mineral Wool
- VCL Isocell Airstop 50
- 15mm Fermacell board
- 60mm tradeline I stud
- 12mm FireKem FP-900 board
- 12.5mm Knauf soundshield plus
- 3mm skim

- Accoya Fins
- Accoya Cladding
- EPDM
- Breather membrane
- 200x100mm Timber Stud
- Mineral Wool insulation

- Timber vertical batten
- Timber horizontal batten
- 20mm drainage gap
- Timber vertical fin

2 CORNER DETAILS
 (CASSETTE PANEL / CASSETTE PANEL)
 SCALE_1:8

02	FP	07.04.20	LP	Corner detail amended
01	FP	09.03.20	AV	First Issue
REV	BY	DATE	CHK	DESCRIPTION
STATUS				

TENDER

CONTRACTOR
MDS

PROJECT
 King's cross Central Zone W

CLIENT
 Argent LLP

DRAWING TITLE
 Block W3
 External Corner North-West Elevations

DATE CREATED
 02.03.2020

SCALE
 1:20 & 1:8 @A3

DRAWING NO & REVISION
 KXC-TRI-W3-001-A-MDS060-21-650-02

