

Finish ■ RAL 8014 Sepia Brown

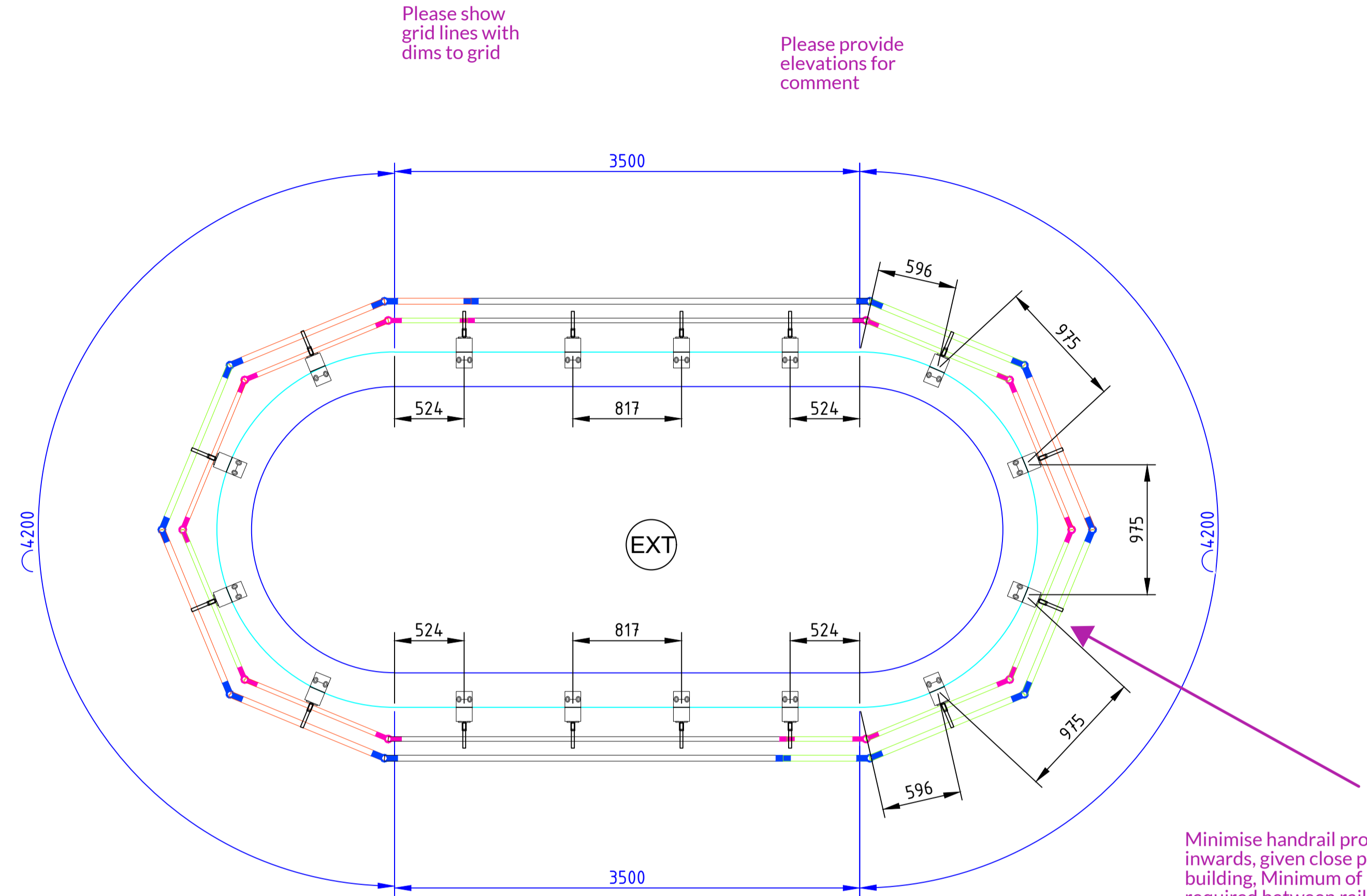
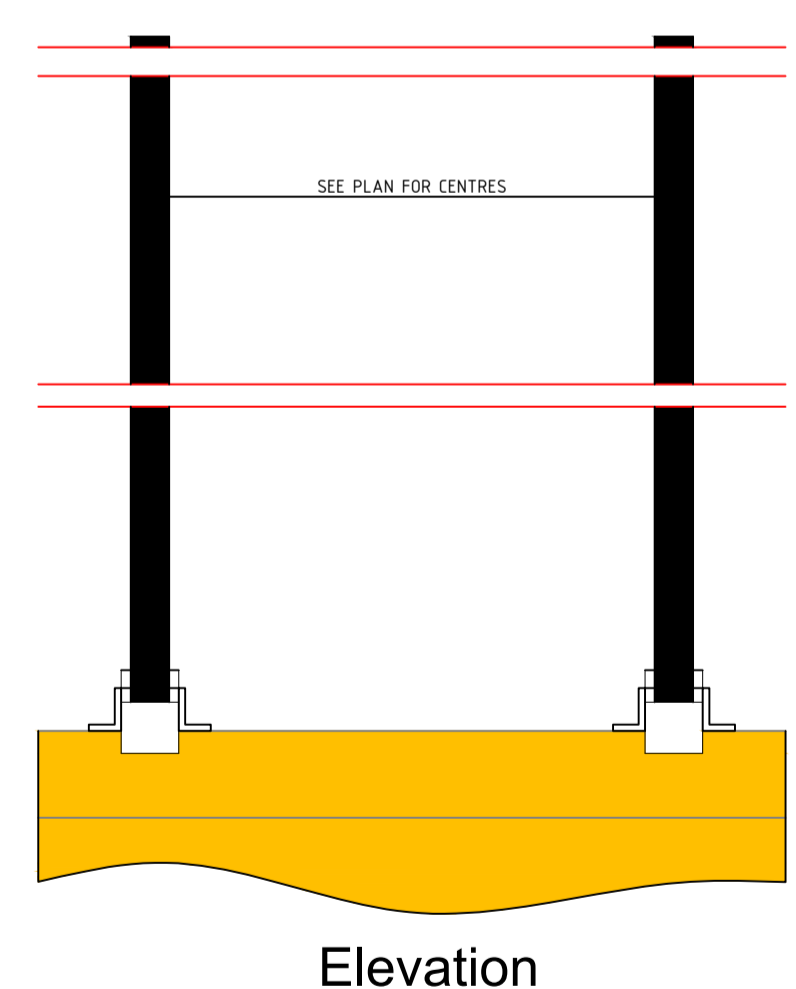
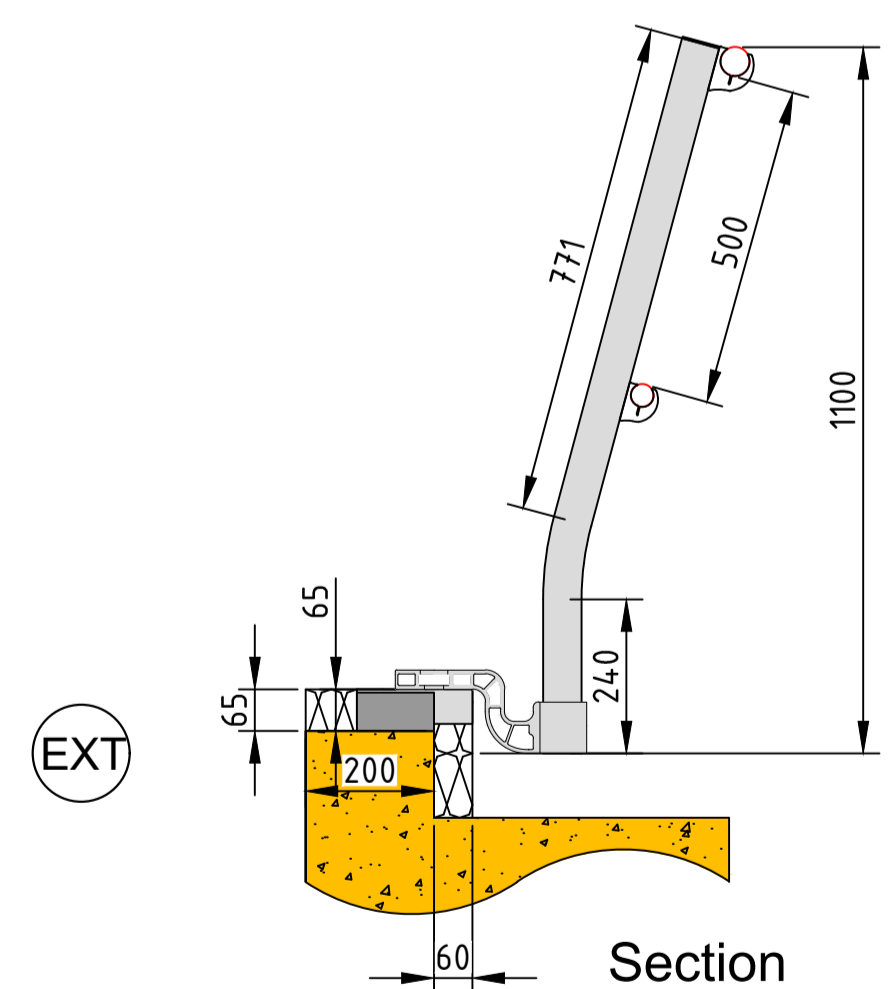
Flat roof reference:  
 ROOFLIGHT LEVEL\_3

Barrail mechanical fixing shoe ZC 3 , 60x22 post angled at 15°				
Article code	Qty	Designation	Dim	
BR-0-SAB-L-Z-120C	16	Shoe Z fixed 120 wide for CZ bracket powder coated		
FX-VIM-H-0-10-30	66	H screw M10x30		
FX-RI-CT-0-10-22-1.6	66	stainless steel contact washer M10 (5x45x5)		
FX-VIM-HC-0-8-16-CU	33	HC M8x16 screw socket point		
BR-0-CSL-B-CZ-1	16	Fixing bracket for insulated parapet 60/90 CZ1	180/65	
FX-EI-H-0-10	66	Stainless steel nut H M10		
BR-0-TO-B-CZ-330-220	16	Soft 320x220 metal sheet for CZ Bracket		
BR-0-M60-L-FCO-E45+1	16	Post 60x22 angled HR45 + 1 rail powder coated	1134/15°	
BR-0-MCF-L-3000	7	Ø45 Handrail 3000mm long powder coated	3000	
BR-0-LF-L-3000	6	3000 mm Ø35 fix rail - powder coated	3000	
BR-0-JL-L-45-VIS	2	Railing junction piece Ø45 powder coated		
BR-0-JL-L-35-VIS	2	Railing jonction piece Ø35 - powder coated		
BR-0-AV-L-45-VIS	10	Variable angle piece Ø45 powder coated		
BR-0-AV-L-35-VIS	10	Variable angle corner piece-powder coated		
		Guardrail length (lm)	15.19	

Summary for one roof			
Qty	Designation	Dim	
	Guardrail length (lm)	15.19	
1	Allen key n° 4		
	Total weight (kg)	155.9	
	Layout drawing		

Pallets		
Dimension pallets	Qty	
3000x800	0	
1300x1300	0	
1200x800		

project information :  
 gap  
 between posts = 1300 mm



Railing around light well is -  
 upright/ vertical, not diagonal as  
 drawn on section and plan.

Please read the installation procedure before beginning work  
 Unless otherwise indicated, all dimensions are in mm  
 Reference norm:

P02/29.04.22	Dimension Scale Corrected	DS
P01/28.04.22	First issue	ICB
Rev	Date	Description
		Drn by

Project  
 Tavistock Place  
 Description  
 Level 3 Roof Light  
 Barrail System Balustrade  
 Client  
 8 Build

HARLESTONE GROUP LTD  
 Harlestone Firs, New Duston  
 Northampton, NN5 6UJ  
 T: 01604 580922  
 E: sales@harlestonegroup.co.uk  
 W: www.harlestonegroup.co.uk

Material	Finish
See Dwg	See Dwg
Date	Status
28.04.22	Approval
Project	Originator
TP2	HAR
Type	Number
DR	0103
Revision	Revision
	P2