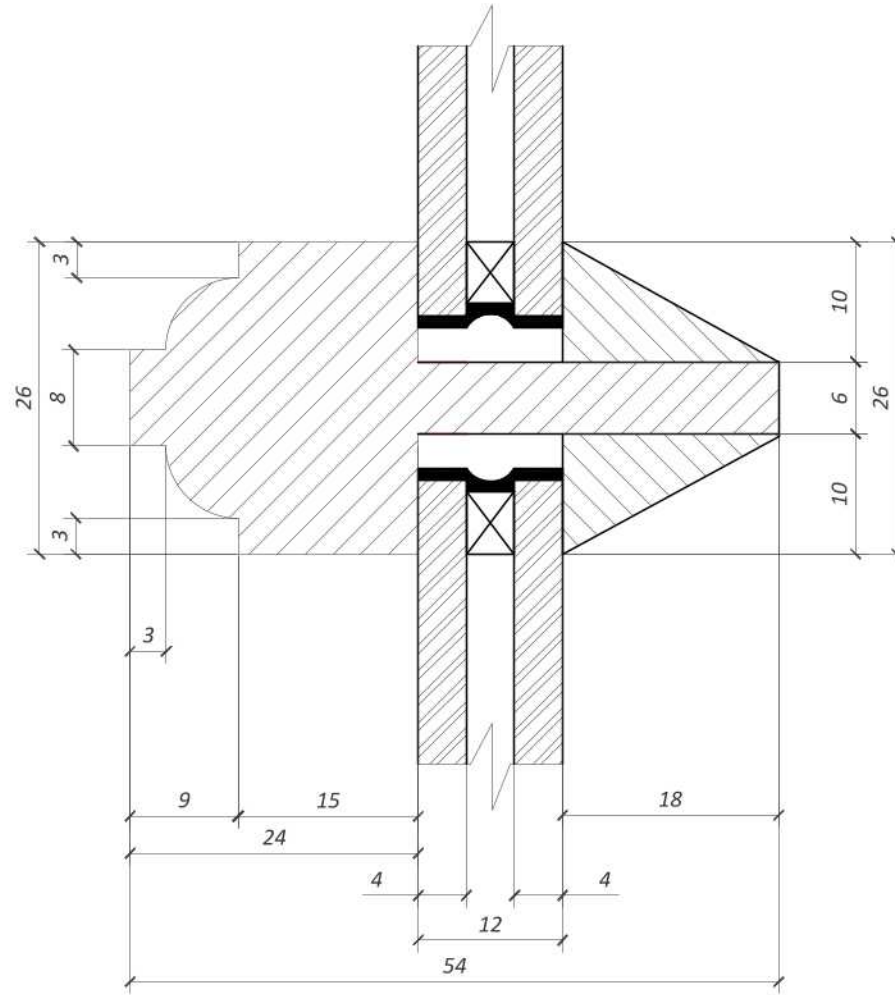
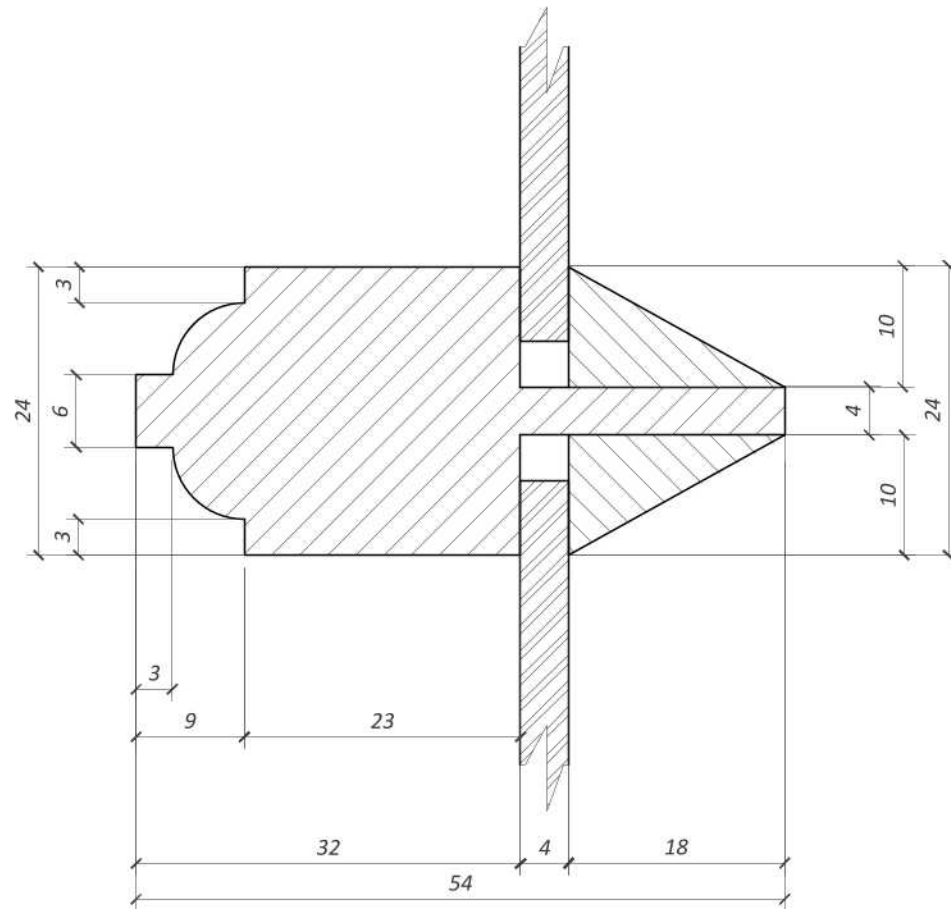


SLIM LITE OPTION



EXISTING SINGLE GLAZE



Masher Brothers Limited. Registration No. 03046002
97-103 Florence Road
Lewisham, London,
SE14 6QL
Email: sales@masherbros.com
Tel. 020 8691 1632

Project INTEGRATED GLAZING BAR WINDOW

Title DETAIL