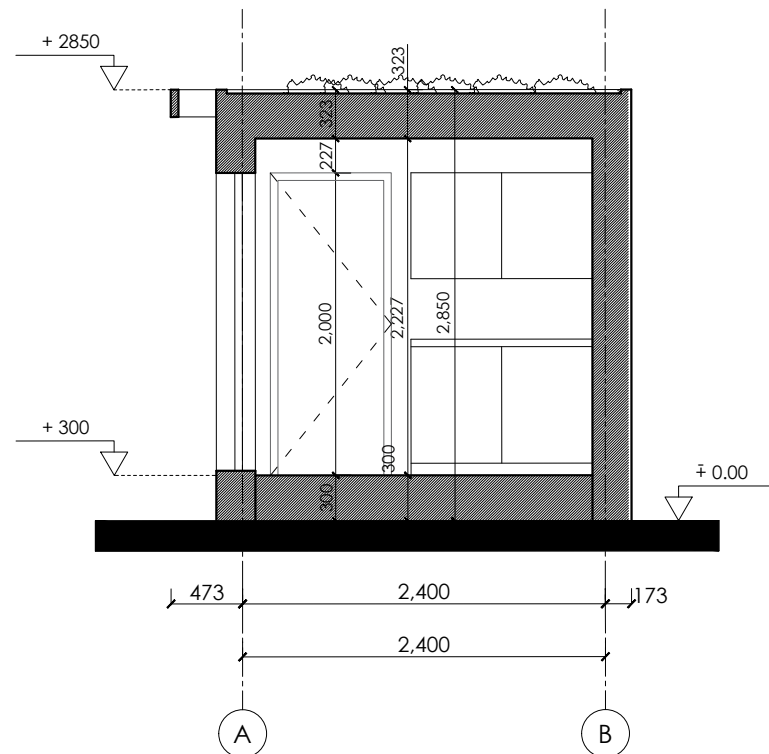
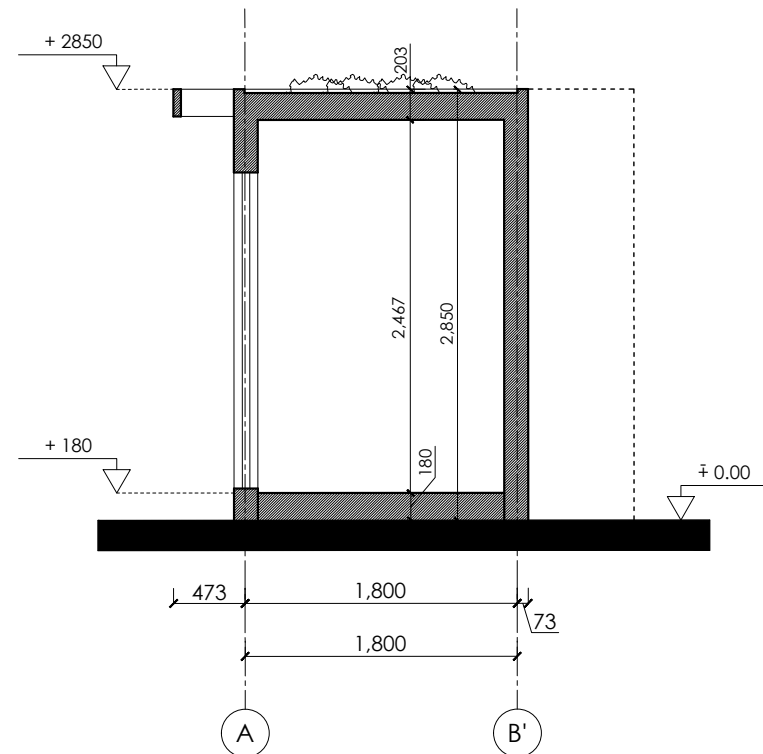


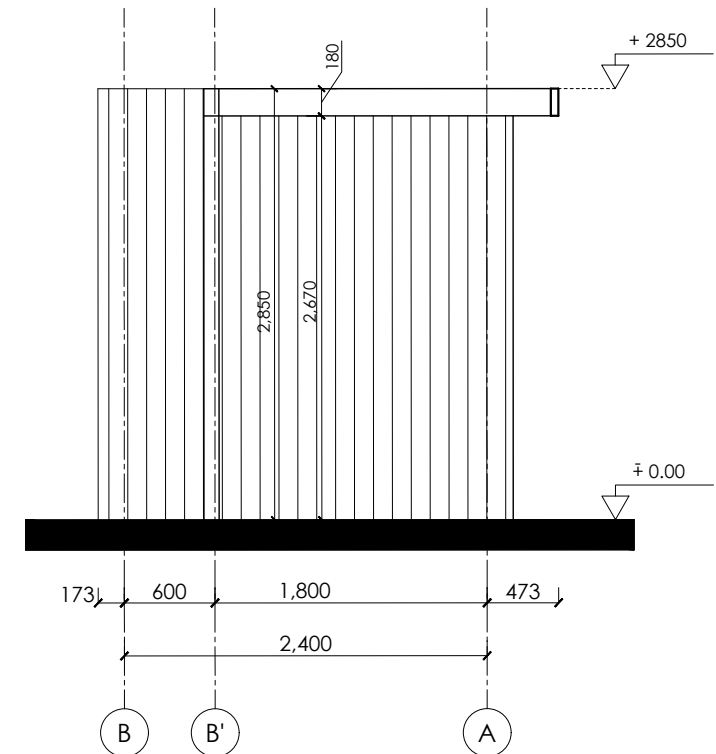
Section A-A



Section B-B



Section C-C



Section D-D

PROJECT TITLE /LOCATION:

SEN Intervention Pod Lupton Street, NW5 2JA

DRAWING TITLE:

SECTIONS

SCALE:
1:50

PROJECT
NO: 04

DATE:
11/05/2022

OWNER:



DESIGNER:

