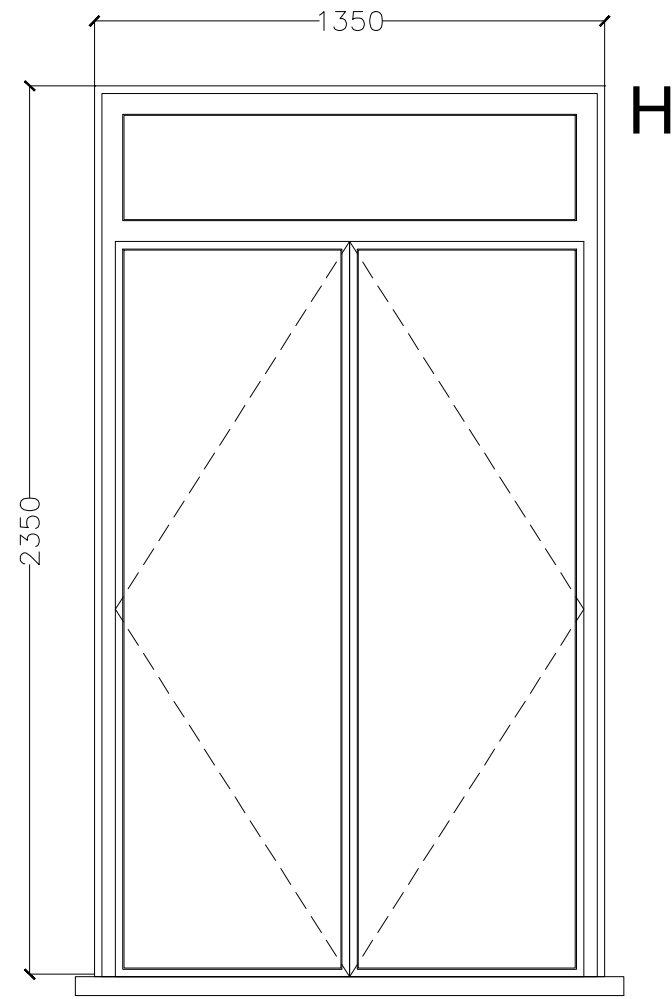
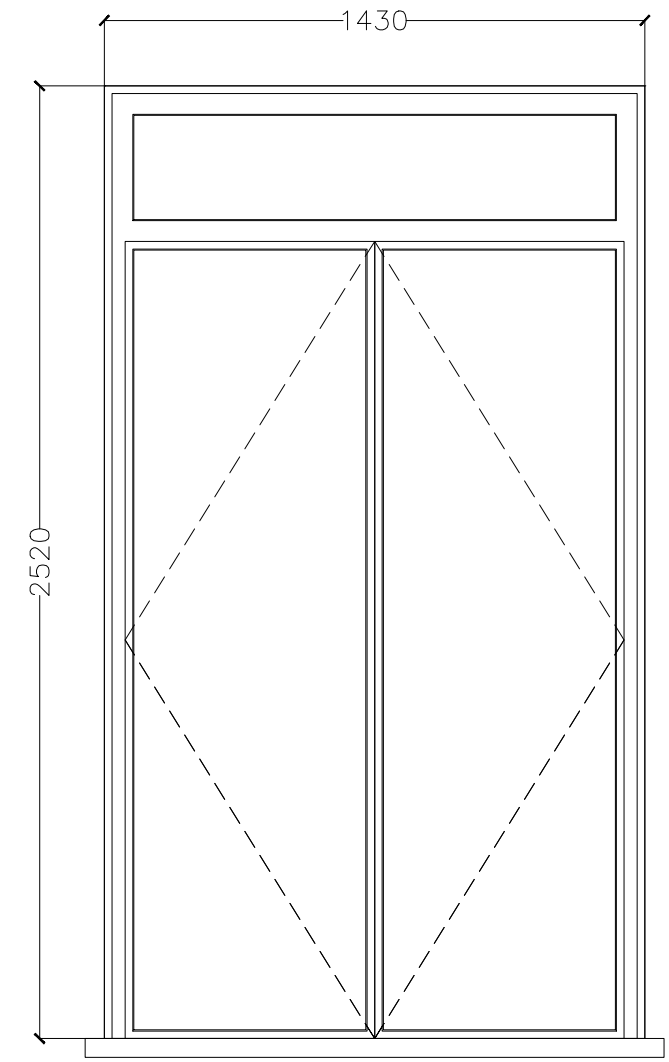


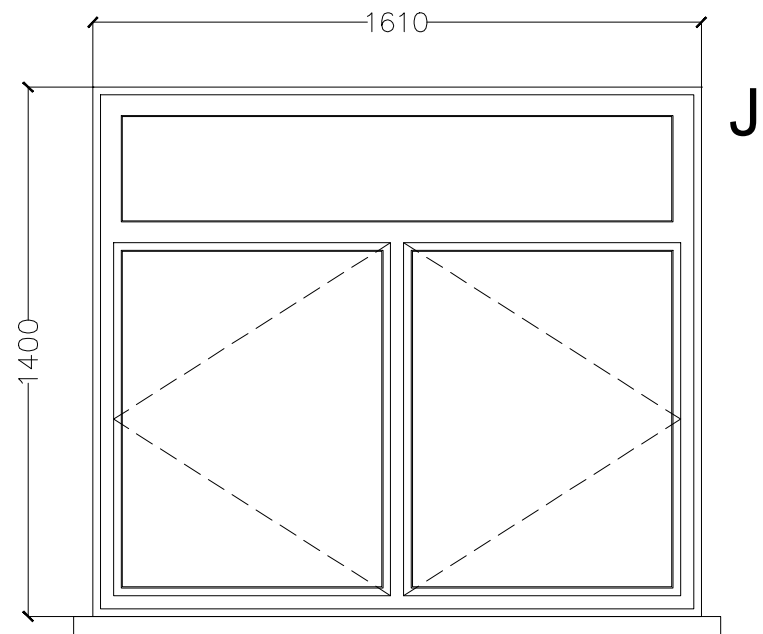
**G**



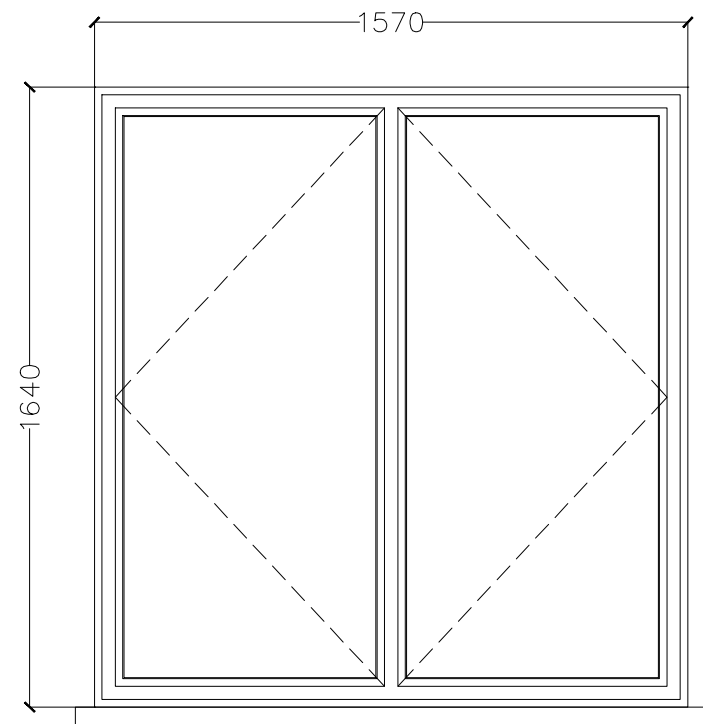
**H**



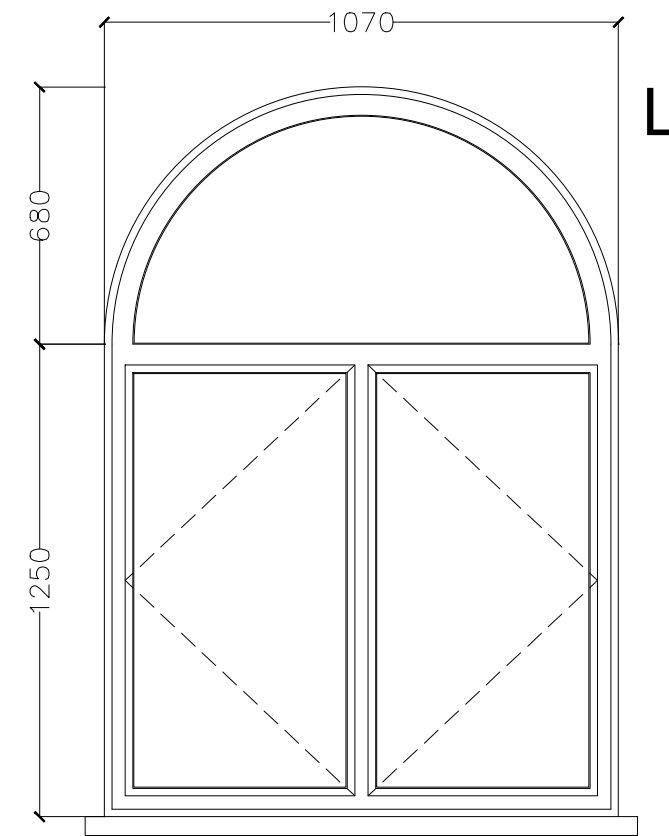
**I**



**J**



**K**



**L**

**Notes**  
 These show the proposed aluminium window profiles. The dimensions are the same as the existing and will have a similar design and colour to the existing.

Do not scale from the drawing. Use figured dimensions in all cases. Check all measurements on site.  
 Report any discrepancies in writing to the Architect before proceeding.  
 All figured dimensions are millimetres unless otherwise stated.  
 Drawings to be read in conjunction with all schedules.

Issue  
 A, 06.04.2022 - DRAFT  
 B, 12.04.2022 - DRAFT  
 C, 19.04.2022

Refer to Document Issue Sheet for status and purpose of issue

Scale: 1:20@A3  
 0 0.2m 0.4m

22 Avenue Road, St. John's Wood,  
 London NW8 6BU

Proposed Windows G-L

**291-10.202-C**

© FINE architecture ltd  
 78 Tachbrook Street, London, SW1V 2NA  
 T 08454 300 120  
 mail@finearchitecture.co.uk