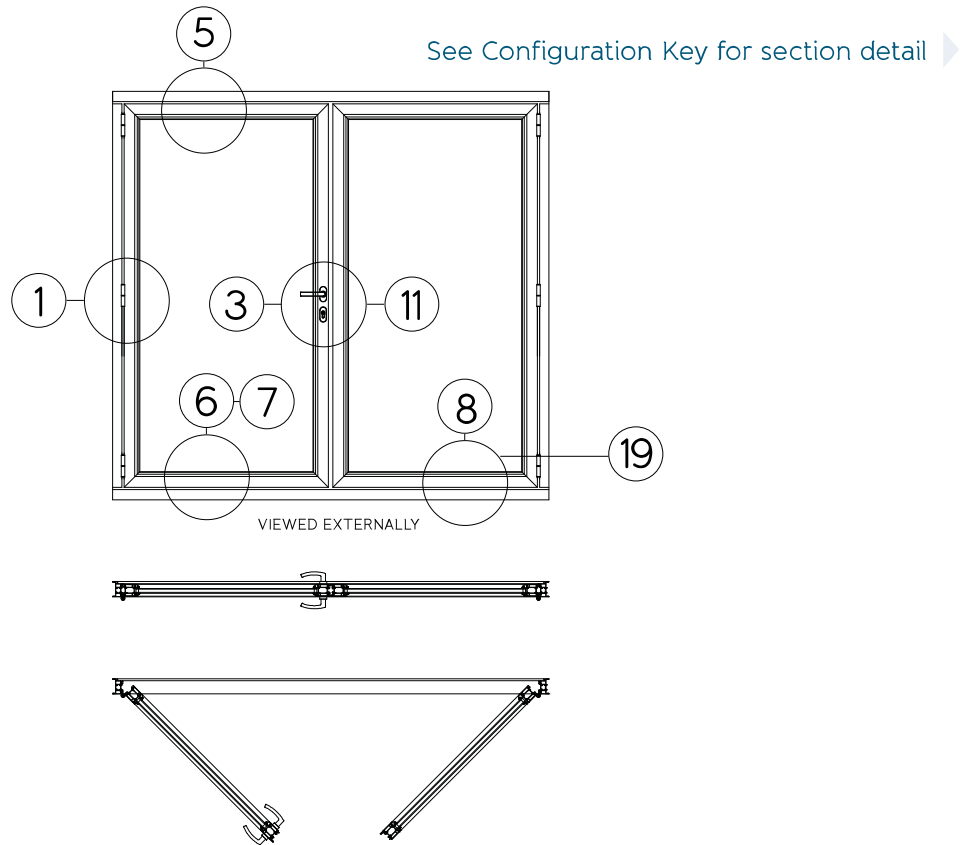


Master Configuration: French door



French Door

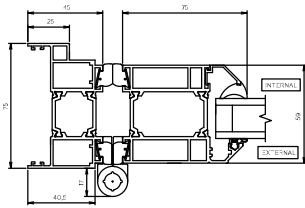
See page 67 for configurations

## Key features

- ▶ 8-point locking system depending on height

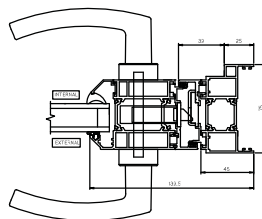
Configuration Key

1a-1b - Hinge Jamb Detail



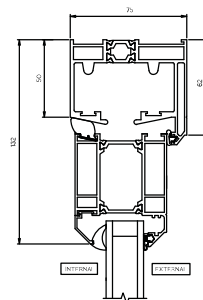
See page 35

3a-3b - Locking Jamb Detail



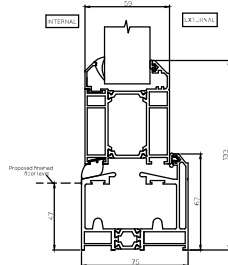
See page 37

5a-5b - Top Track Detail



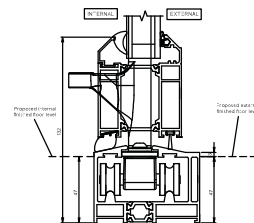
See page 39

6a-6e - Bottom Track Threshold Detail



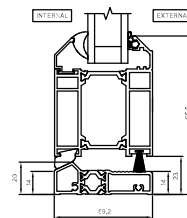
See pages 40-43

7a-7b - Non Weathered Threshold Details



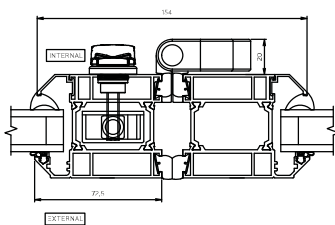
See page 44

8 - Mobility Threshold Detail



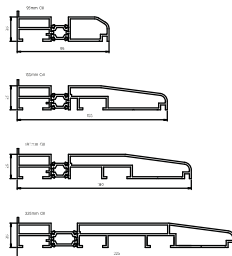
See page 45

11 - Keyed Locking Slave Detail



See page 48

19 - Cills



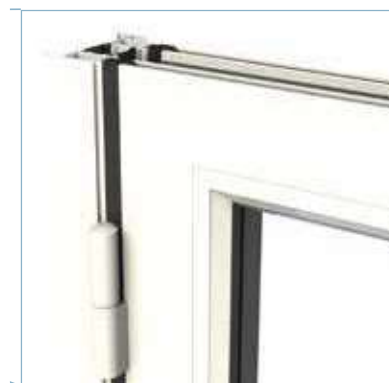
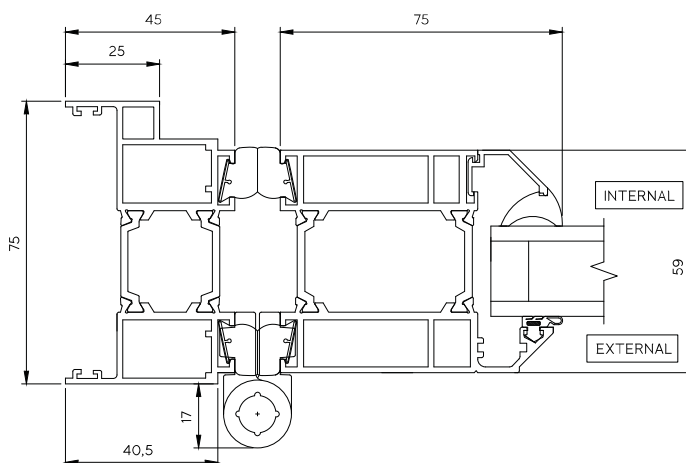
See page 56

# Technical Drawings

1a-1b

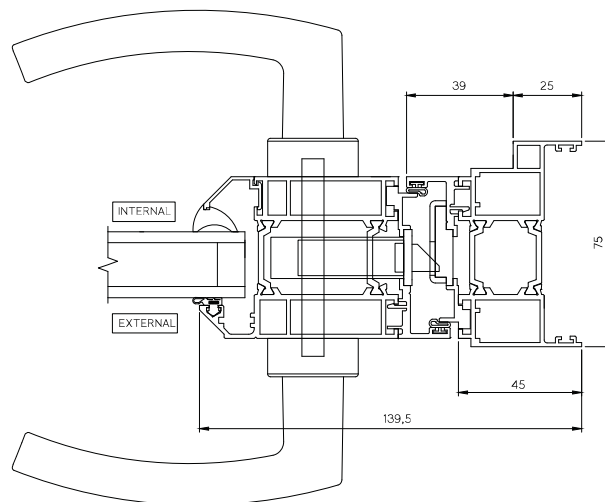
Hinge Jamb Detail

Open-out



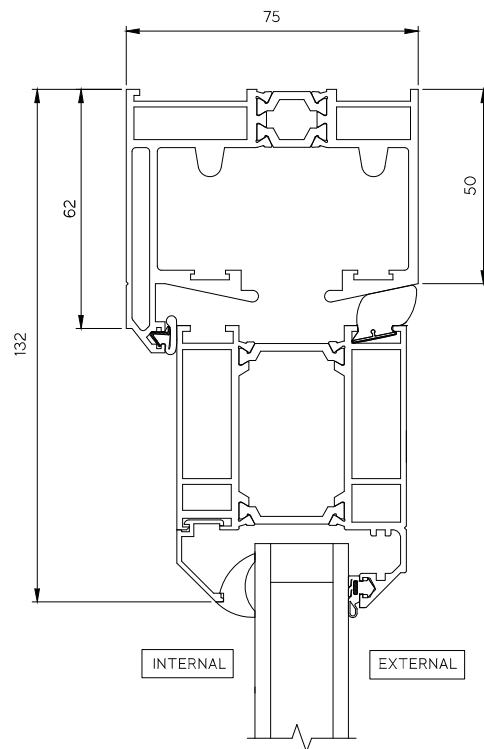
3a-3b Locking Jamb Detail

Open-out



5a-5b Top Track Detail

Open-out



7a-7b Non-Weathered Threshold Detail

Open-out

