

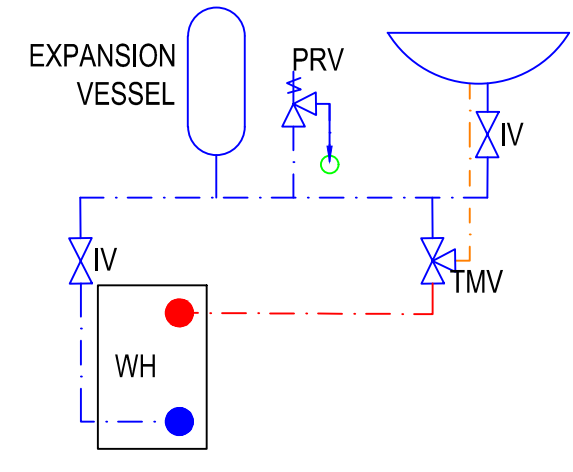
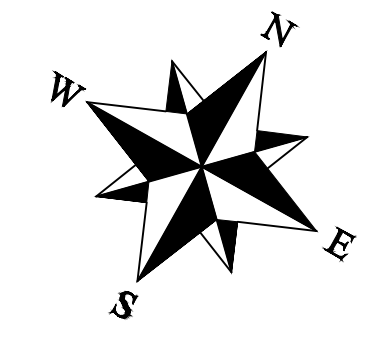
THIS DOCUMENT IS THE COPYRIGHT WORK OF ADVENT DUCTWORK SYSTEMS LTD AND IS MADE AVAILABLE ON THE EXPRESS CONDITION THAT IT SHALL NOT BE USED UNLESS ADVENT DUCTWORK SYSTEMS LTD GIVE WRITTEN PERMISSION FOR ITS USE.



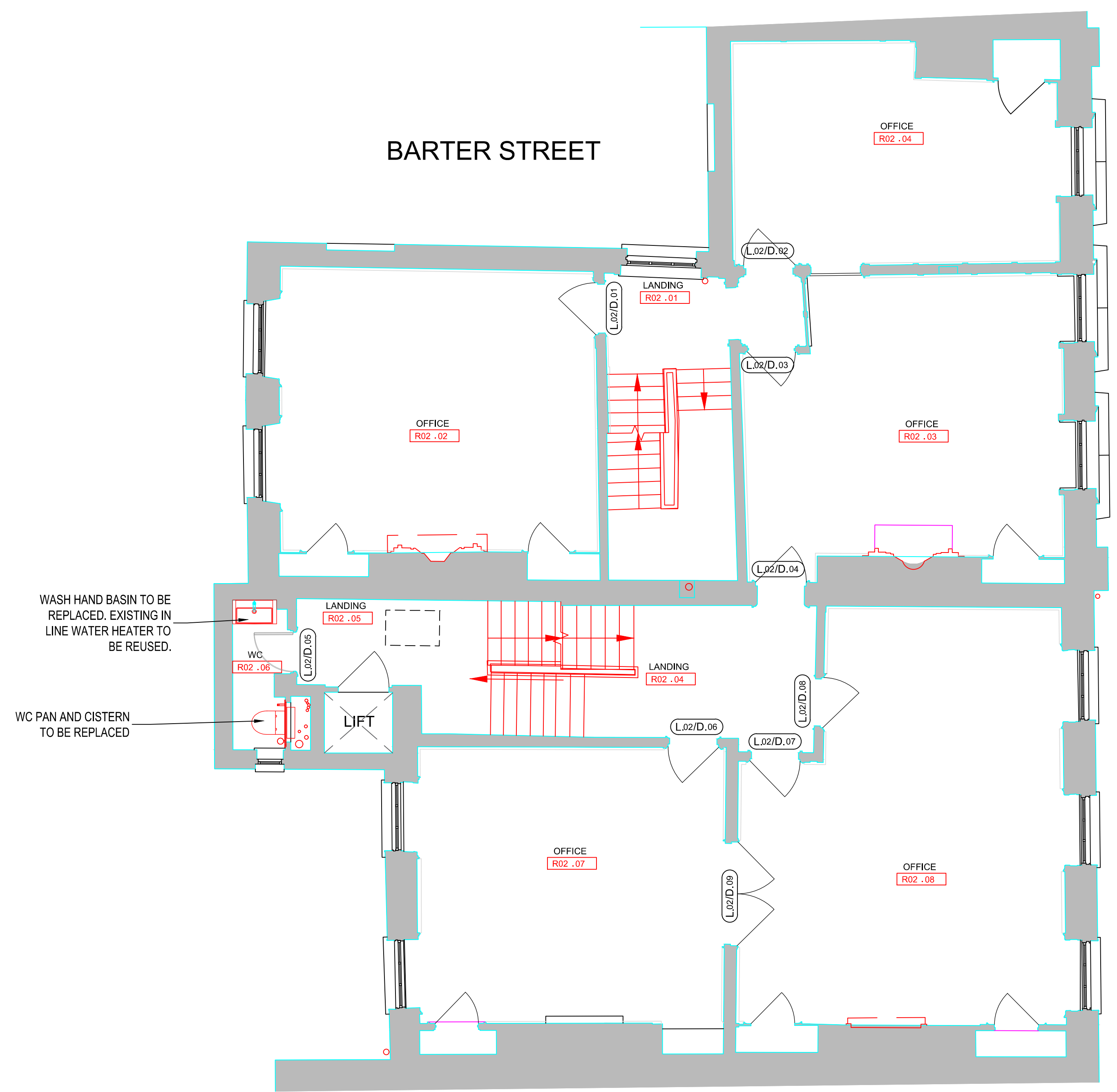
- DO NOT SCALE FROM THIS DRAWING -

LEGEND

- ISOLATION VALVE
- THERMOSTATIC MIXING VALVE c/w NRV & STRAINER
- WATER HEATER
- WASTE PUMP
- COLD WATER PIPE WORK
- HOT WATER PIPE WORK
- WASTE PIPE WORK
- EXPANSION VESSEL



TYPICAL WASH HAND BASIN SCHEMATIC



WASH HAND BASIN TO BE REPLACED. EXISTING IN LINE WATER HEATER TO BE REUSED.

WC PAN AND CISTERN TO BE REPLACED

NO.19 SOUTHAMPTON PLACE  
NO.18

Rev	Detail	By	Date
-----	--------	----	------

**Advent**  
Ductwork Systems Limited.  
7 Westfield Road  
Slyfield Industrial Estate  
Guildford  
Surrey  
GU1 1RR  
Telephone: 01932 856249

Drawing Status:  
**PRELIMINARY**  
FOR DISCUSSION AND APPROVAL

Client:  
**Morgan Lovell**  
Inspiring office transformation  
16 Noel Street London W1F 8DA  
T: 0207 734 4466 F: 0207 734 2968 E: contact@morganlovell.com  
W: http://www.morganlovell.com

Job Title:  
18 - 19 SOUTHAMPTON PLACE  
HOLBORN  
LONDON  
WC1A 2AJ

Drawing Title:  
SECOND FLOOR  
PLUMBING G.A.

Drawn:	R. HALL	Checked:	A. WARD
Scale:	1:50	Sheet Size:	A1
Date:	30.11.21	Project No.:	Q21197
Floor No.:	2	Drawing No.:	10
Rev.:	0		