

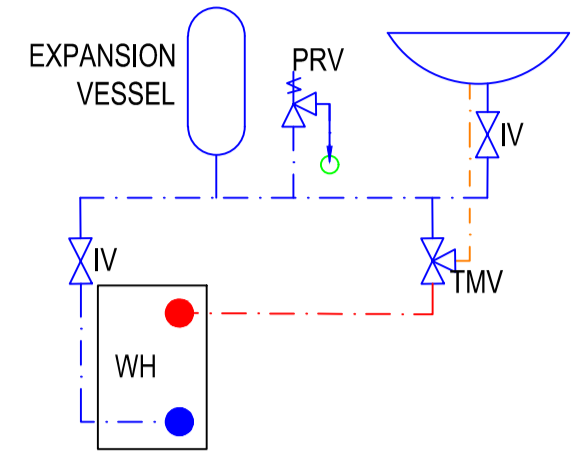
THIS DOCUMENT IS THE COPYRIGHT WORK OF ADVENT DUCTWORK SYSTEMS LTD AND IS MADE AVAILABLE ON THE EXPRESS CONDITION THAT IT SHALL NOT BE USED UNLESS ADVENT DUCTWORK SYSTEMS LTD GIVE WRITTEN PERMISSION FOR ITS USE.



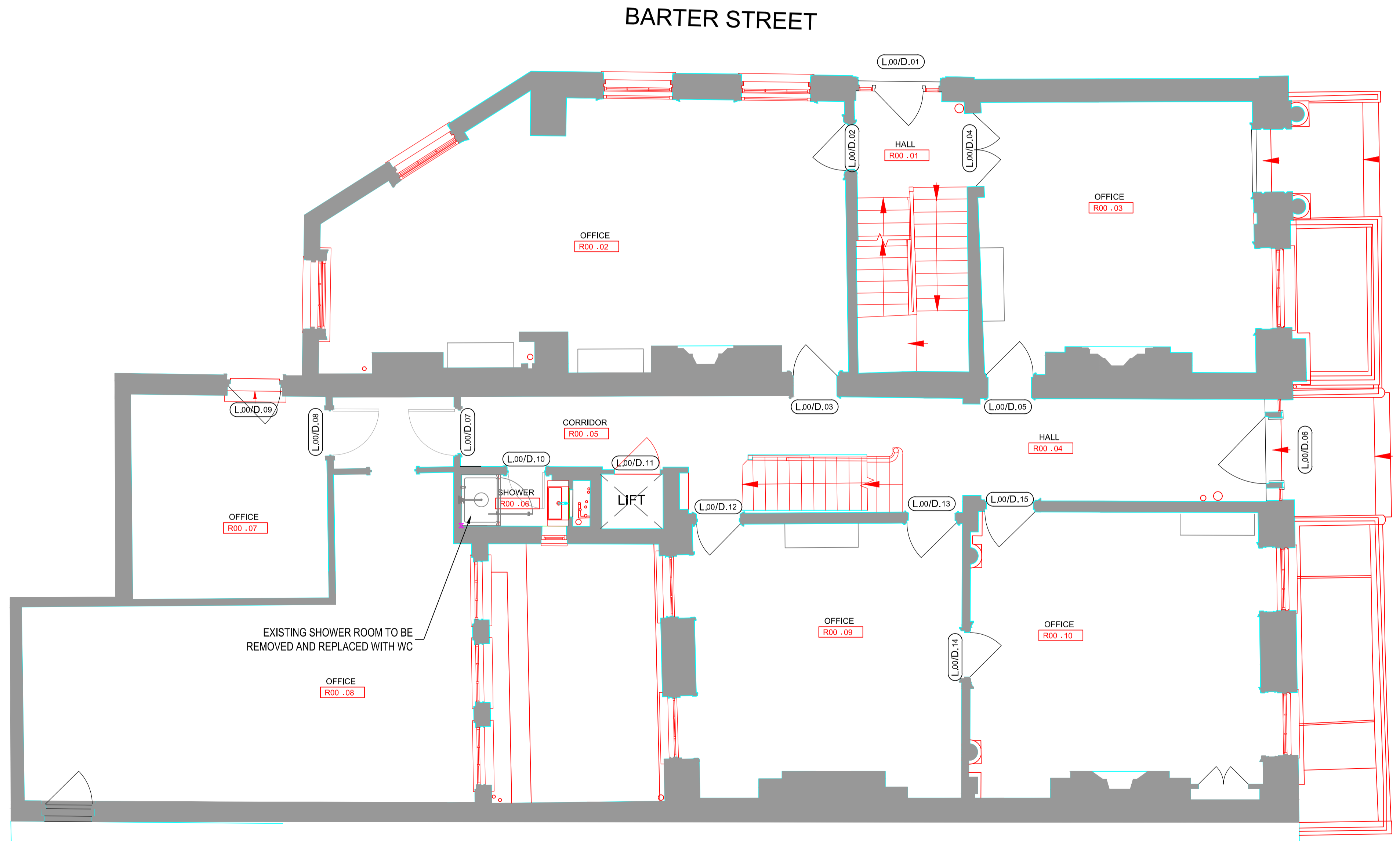
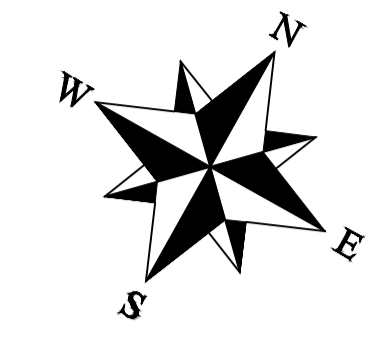
- DO NOT SCALE FROM THIS DRAWING -

LEGEND

- ISOLATION VALVE
- THERMOSTATIC MIXING VALVE c/w NRV & STRAINER
- WATER HEATER
- WASTE PUMP
- COLD WATER PIPE WORK
- HOT WATER PIPE WORK
- WASTE PIPE WORK
- EXPANSION VESSEL



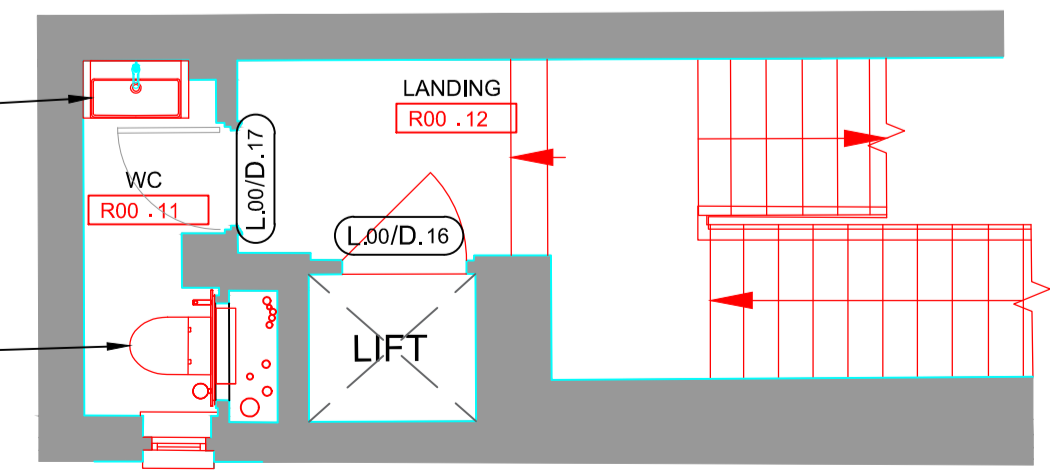
TYPICAL WASH HAND BASIN SCHEMATIC



EXISTING SHOWER ROOM TO BE REMOVED AND REPLACED WITH WC

WASH HAND BASIN TO BE REPLACED. EXISTING IN LINE WATER HEATER TO BE REUSED.

WC PAN AND CISTERN TO BE REPLACED



LANDING WC BLOCK

Rev	Detail	By	Date
X	xxxxxx	xx	xx.xx.xx

Advent
Ductwork Systems Limited.
7 Westfield Road
Slyfield Industrial Estate
Guildford
Surrey
GU1 1RR
Telephone: 01932 856249

Drawing Status:
PRELIMINARY
FOR DISCUSSION AND APPROVAL

Client:
Morgan Lovell
Inspiring office transformation
16 Noel Street London W1F 8DA
T: 0207 734 4466 F: 0207 734 2968 E: contact@morganlovell.com
W: http://www.morganlovell.com

Job Title:
18 - 19 SOUTHAMPTON PLACE
HOLBORN
LONDON
WC1A 2AJ

Drawing Title:
GROUND FLOOR
PLUMBING G.A.

Drawn:	R. HALL	Checked:	A. WARD
Scale:	1:50	Sheet Size:	A1
Date:	30.11.21	Project No.:	Q21197
Floor No.:	G	Drawing No.:	8
Rev.:	0		