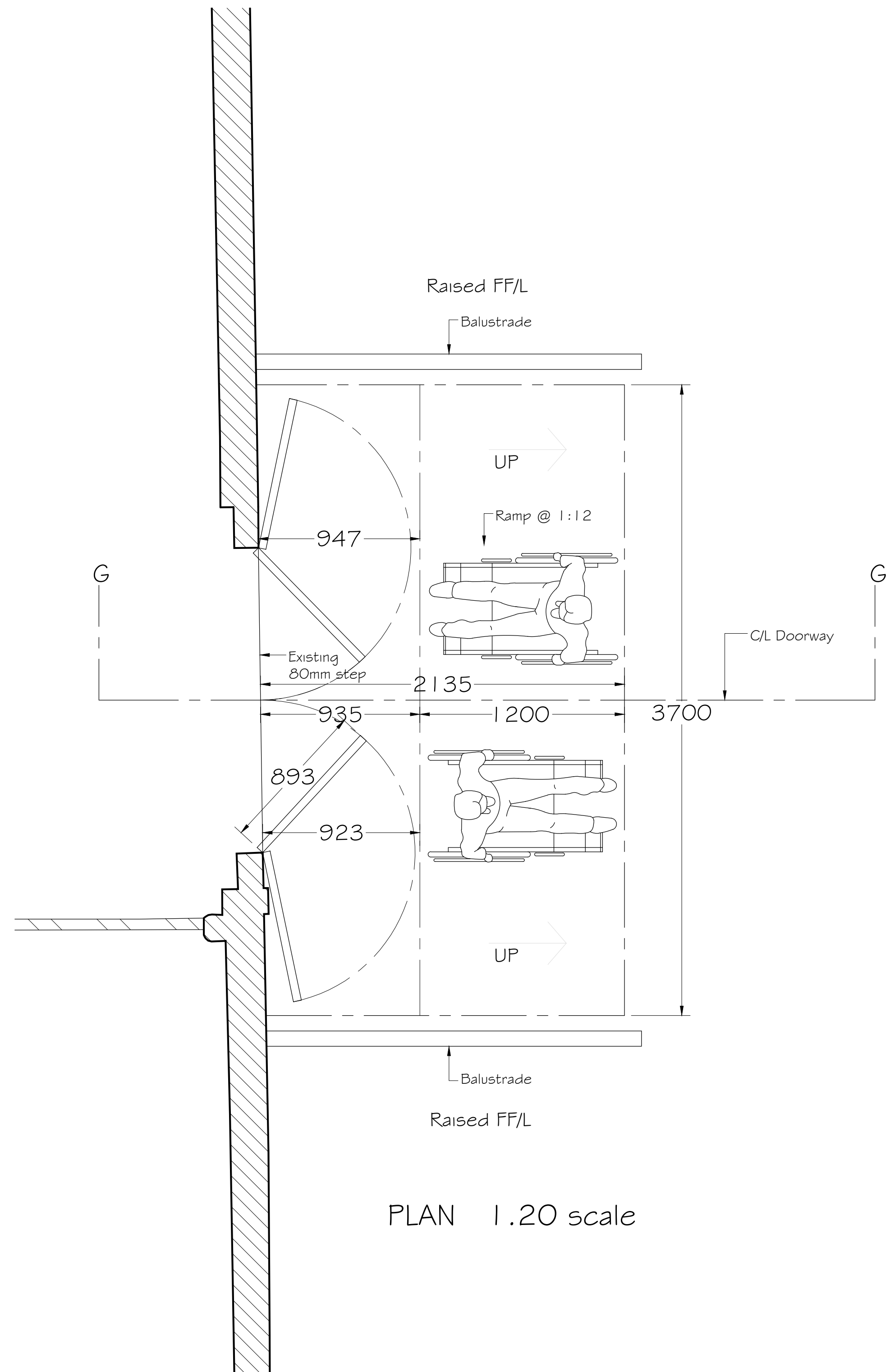


DO NOT SCALE THIS DRAWING  
ALL DIMENSIONS MUST BE CHECKED ON  
SITE BEFORE WORK COMMENCES



PLAN 1:20 scale

No.	By	Revision	Date
A	PB	1 No. Plan shown.	15 Apr 22

Job Title  
Camden

Drawing Title  
Disabled Ramp  
Plan

Scale 1:20 @ A1	Drawing No. 22-714-01	Rev. A
Drawn by Peter Bishop	Date 13 Apr 22	Refer to Drawing No. 22-714-02

