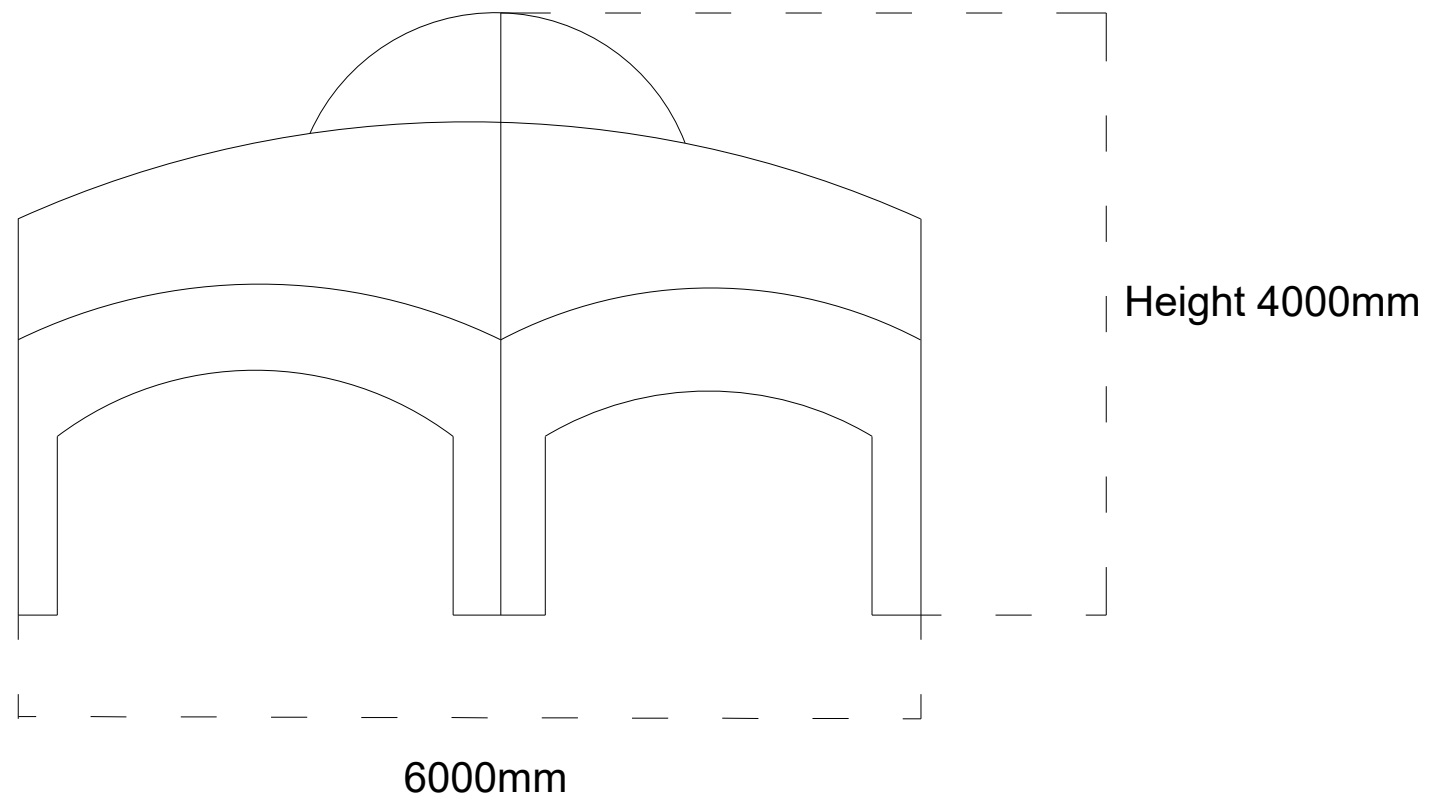


NOTES



THIS DRAWING REPRESENTS THE BRITISH LIBRARY ENGINEERING SERVICES CURRENT UNDERSTANDING OF THE BUILDING FUNCTION. EVERY REASONABLE EFFORT HAS BEEN MADE TO ENSURE THE ACCURACY OF THIS DRAWING. HOWEVER THE ONUS FALLS UPON THE RECIPIENT TO SATISFY THEMSELVES OF THE DRAWING CONTENTS. PLEASE NOTIFY ENGINEERING SERVICES OF ANY DISCREPANCIES FOUND. DRAWING LAST UPDATED:

ENGINEERING SERVICES

PROJECT
ST PANCRAS

PROJECT No.

TITLE
**STP
MARQUEE APPLICATION
PORCH ELEVATION**

STATUS

SCALE **1:50** ORIGINAL PAPER SIZE **A3**

DRAWN BY **S. MURRIHY** DATE **11/04/22**

CHECKED BY DATE

CAD REFERENCE REVISION

DRAWING No.
BL/STP/2022/05