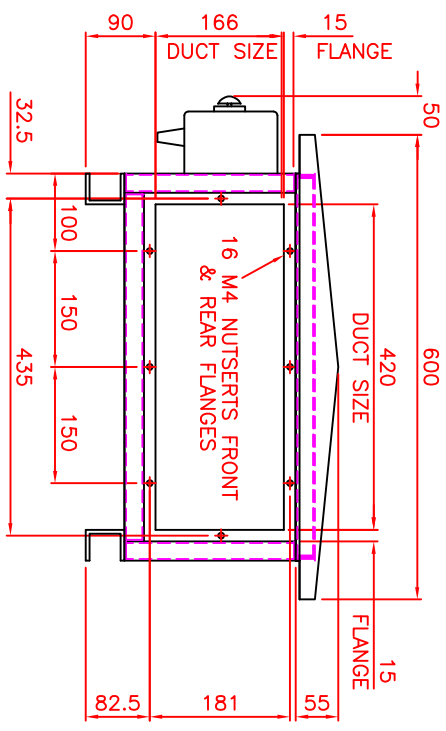
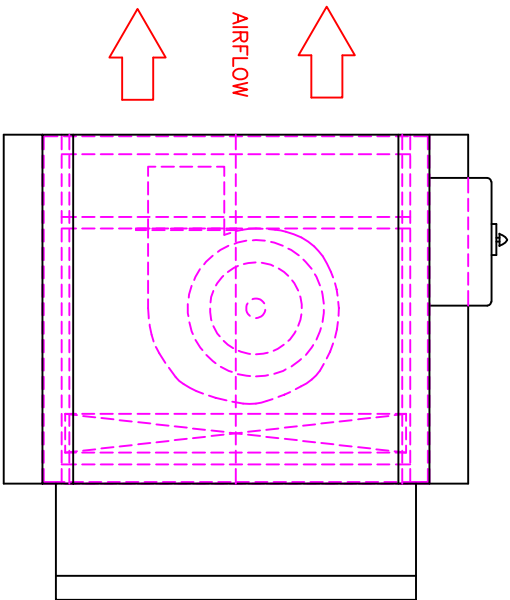


SIDE VIEW



END VIEW



VIEW LOOKING FROM BENEATH

No.	NOTE
1	PLEASE INDICATE ORIENTATION ACCESS LID
	TOP BOTTOM
2	DSK-DOUBLE SKIN PANELS INFILL WITH 25mm ROCKWOOL 45kg/m ³
3	APPROX. WEIGHT - 25Kg

REV	AMENDMENT	DATE	DRN
TITLE Certified Drawing			
SUPPLY AIR UNIT DIRECT DRIVEN MODEL: FA 200/200 CT/DD - DSK			
Drn A.M.	Chkd A.T.	Appd	
Date 16/11/21	Scale		
Material			
CHANNEL & TRAY CONSTRUCTION GALVANISED STEEL			
Finish			
PANELS RAL 5017 BLUE			
Size	Drawing Number	Rev	
A3	M3/G/PNL 220-01-20		



ANDOVER - HAMPSHIRE - ENGLAND
 THIS IS THE PROPERTY OF PUMA PRODUCTS LTD
 AND CONTAINS INFORMATION OF A PROPRIETARY
 NATURE AND IS SUBMITTED TO YOU IN CONFIDENCE
 AND SHALL NOT BE DISCLOSED OR TRANSMITTED TO
 OTHERS WITHOUT WRITTEN AUTHORIZATION FROM
 PUMA PRODUCTS LIMITED
 TEL: (01264) 333309 FAX: (01264) 333310