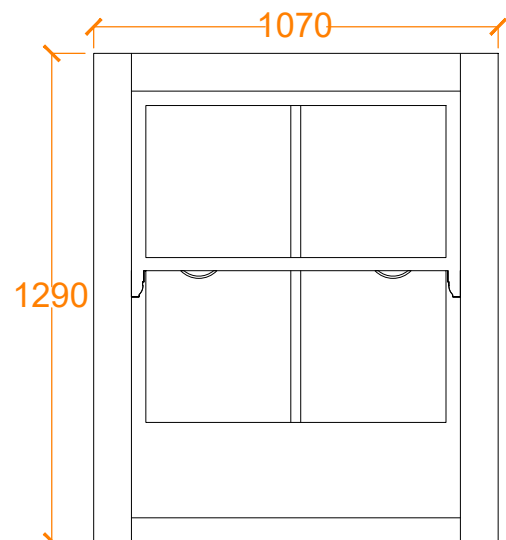


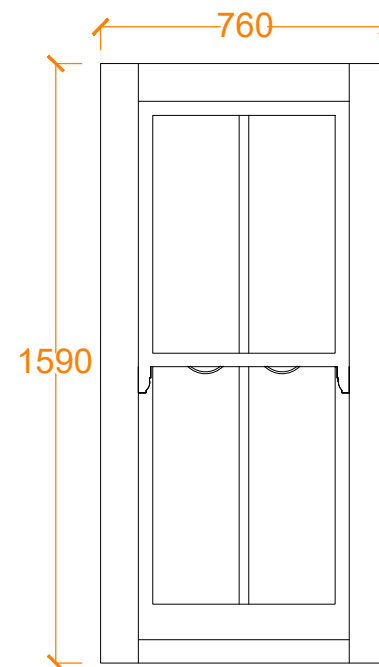
**SW06**

**Bathroom (south facing)**  
Weight Loaded Timber Sash Window



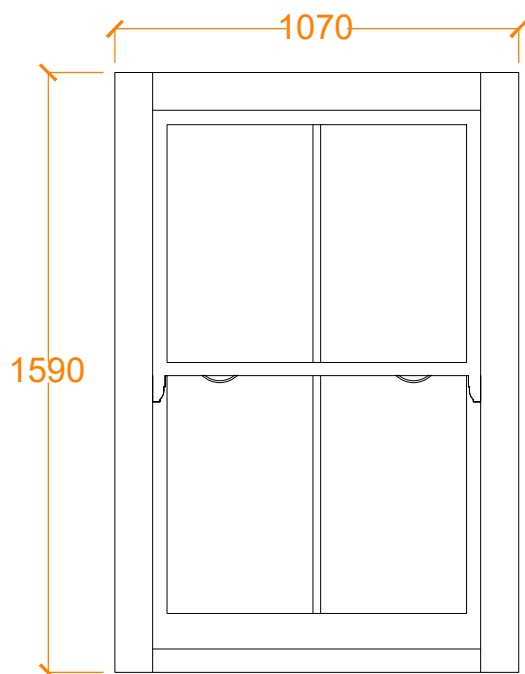
**SW07**

**Kitchen (south facing)**  
Weight Loaded Timber Sash Window



**SW10**

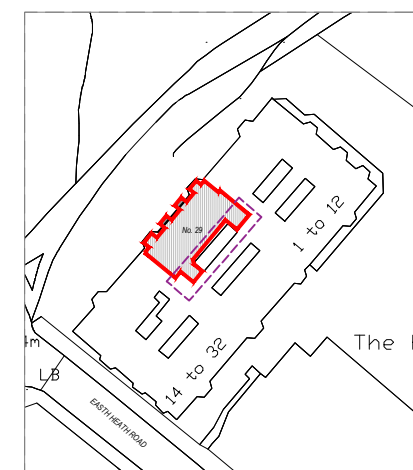
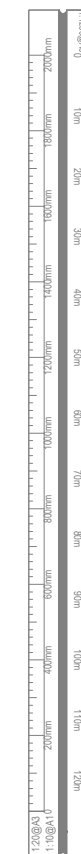
**Living Room (south facing)**  
Weight Loaded Timber Sash Window



**SW11**

**Hall (south facing)**

NOTES:  
Dimensions to be verified on site and verified before fabrication/construction. Any discrepancy to be reported.



29 THE PRYORS, EAST  
HEATH ROAD  
HAMPSTEAD  
NW31BS

EXISTING WINDOWS  
(SOUTH FACING)

30/03/2022

Scale: 1:20 @ A3 Drawing no: 100-20 Revision:

**01** EXISTING WINDOWS (SOUTH FACING)  
Scale: 1/20 @ A3

**02** LOCATION PLAN  
Scale: 1/1250 @ A3