

DETAILED LUMINAIRE SCHEDULE

the language of light

Project: Maple House
Reference: 0185 - SC1

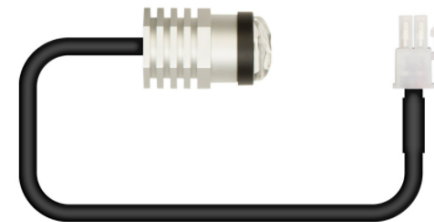
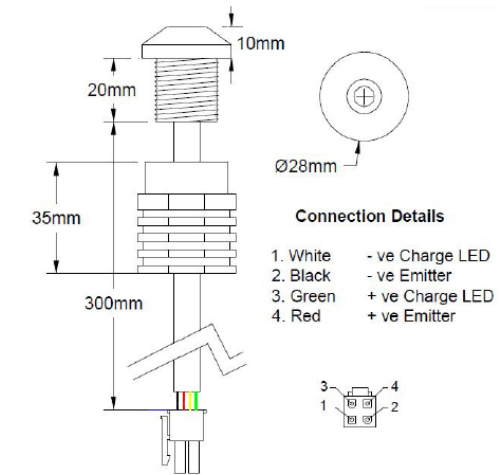
LUMINAIRE REF: EX-EM2 – ADDED 25.02.22

Manufacturer: Liteplan supplied by Cirrus Lighting
Tel: Office: 020 3457 3271 Mobile: 07771331009
Contact: Andrew Silva Email: Andrew@cirruslighting.co.uk

Location: Basement Canopy
Cat. Reference: **LED-20IP55 EM LIGHT**
Description: Anti-panic emergency downlight IP rated
Dimensions: 28 mm diameter

Accessories: **Integrated into Modular Profiles listed below**
Control Gear: 3 hour DALI reporting emergency battery pack to link to Encelium system for testing
Colour: To match the profile
CDM/H&S: -
Notes: **To be used in conjunction with profiles ex-PR16
Manufacturer to confirm compatibility with Encelium system**

Circuit Wattage: 3W
Voltage: 4 V
Beam Angle: 125°x 50°
Colour Kelvin: 6000K
Luminous Flux: 192 lm
CRI (Ra) TBC



DETAILED LUMINAIRE SCHEDULE

the language of light

Project: Maple House
Reference: 0185 - SC1

LUMINAIRE REF: ex-LIN2A – **UPDATED 25.02.22**

Manufacturer: Modular provided by Cirrus Lighting
Tel: Office: + 44 02034573271 Mobile: +44 7771331009
Contact: Andrew Silva Email: andrew@cirruslighting.co.uk

Location: Level 00 reception exterior canopy, Basement tunnel canopy
Cat. Reference: **SLD50 NAKED 1230MM – IP54 SPECIAL**
Description: Linear opal luminaire / 3000K / IP54
Dimensions: 1230 mm Length

Accessories: **Custom housing ex-PR15, ex-PR16**
Control Gear: Remote driver / DALI dimming – driver to be located within housing profile. One driver to feed multiple fittings where applicable.
Colour: Black, Gibson Thornley to confirm RAL finish prior to ordering
CDM/H&S: -
Notes: **Linear opal tubes of light to be used in conjunction with exterior profile ex-PR1, ex-PR16 please see specification below for housing Exterior rated fitting IP54**

Circuit Wattage: 22.5 W
Voltage: 230V
Beam Angle: 110 °
Colour Kelvin: 3000K
Luminous Flux: 1735 lm
CRI (Ra) 90



DETAILED LUMINAIRE SCHEDULE

the language of light

Project: Maple House
Reference: 0185 - SC1

LUMINAIRE REF:

EX-LIN2F - ADDED 25.02.22

Manufacturer: Modular provided by Cirrus Lighting
Tel: Office: + 44 02034573271 Mobile: +44 7771331009
Contact: Andrew Silva Email: andrew@cirruslighting.co.uk

Location: Basement Tunnel Canopy
Cat. Reference: **SLD50 NAKED 500MM CUSTOM LENGTH – IP RATED**
Description: Linear opal luminaire / 3000K / IP54 SPECIAL
Dimensions: 500 mm (length TBC by Cirrus) Length

Accessories: **Custom housing ex-PR15, ex-PR16**
Control Gear: Remote driver / DALI dimming – driver to be located within housing profile.
Colour: Black, Gibson Thornley to confirm RAL finish prior to ordering
CDM/H&S: -

Notes: **Linear opal tubes of light used with housing profile ex-PR15, ex-PR16. Emergency fittings to be integrated where applicable.**
Please refer to these specification page below and drawings for further information
IP54 Rated special

Circuit Wattage: TBC W
Voltage: 230V
Beam Angle: 110°
Colour Kelvin: 3000K
Luminous Flux: TBC lm
CRI (Ra) 90



DETAILED LUMINAIRE SCHEDULE

the language of light

Project: Maple House
Reference: 0185 - SC1

LUMINAIRE REF:	LS4-EX – ADDED 25.02.22	
Manufacturer:	Applelec	
Tel:	Office: 012 7477 4477	Mobile: 077 1416 8382
Contact:	Sandi Moolman	Email: Sandi.Moolman@applelec.co.uk
Location:	Basement exterior signage board	
Cat. Reference:	SLOAN LED PRISM 4000K REF: 701269-4WSJ1-MB	
Description:	Lensed LED/ 4000K /IP 66	
Dimensions:	3500mm	backlit panel height
	120 mm	backlit panel depth including lighting modules, air gap, diffusion layer and glass
	2180mm	Backlit panel width
Accessories:	Toughened glass, polycarb diffuser	
Control Gear:	Remote DALI driver	
Colour:	N/A	
CDM/H&S:	-	
Notes:	LED modules and polycarb diffuser to be provided by Applelec. Applelec don't directly supply toughened glass but have a number of partners who are able to do this, contractor to discuss sourcing options with Applelec. Applelec have a number of partners who are able to provide complete signage solution using Sloan LED's. Frame, suitable fixing and surrounding material to be provided by contractor or specialist signage manufacturer recommended by Applelec. Dimensions given above are indicative only and final site measurements to be taken by contractor prior to ordering. LS4-EX is a contractor CDP item. Contractor to discuss all requirements with manufacturer prior to ordering.	
Circuit Wattage:	1.12 W per module	
Voltage:	12V	
Colour Kelvin:	4000K	
Luminous Flux:	120 lm/module	
CRI (Ra)	80 +	



DETAILED LUMINAIRE SCHEDULE

the language of light

Project: Maple House
Reference: 0185 - SC1

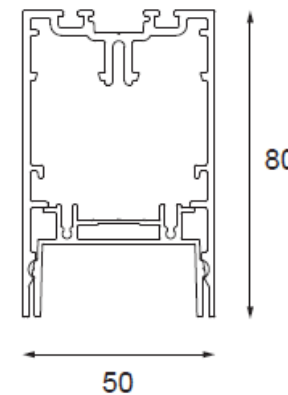
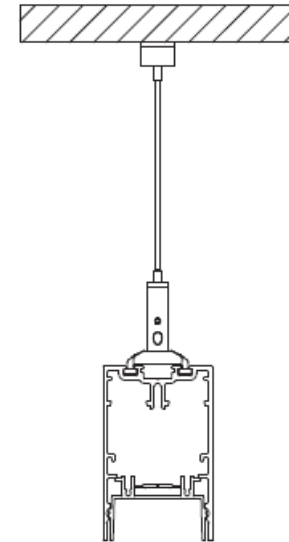
LUMINAIRE REF: ex - PR15 - **ADDED 25.02.22**

Manufacturer: Modular provided by Cirrus Lighting
Tel: Office: + 44 02034573271 Mobile: +44 7771331009
Contact: Andrew Silva Email: andrew@cirruslighting.co.uk

Location: Basement exterior canopy
Cat. Reference: **SL50 NAKED CUSTOM LENGTH EXTRUSION IP54**
Description: Suspended linear extrusion with opal linear LED's/ 3000K / IP20
Dimensions: 4000mm Length
50 mm Width
80 mm Height

Accessories: **Suspension rods for ceiling mounting length TBC**
Control Gear: DALI drivers for linear LED's integral to housing
Colour: Black, Gibson Thornley to confirm prior to ordering
CDM/H&S: -
Notes: **2 x ex-LIN2A and 1 x ex-LIN2F TO BE LOCATED WITHIN PROFILE**
Suspension height TBC
IP54 Rated
Suspension rods to be used to resist wind movement
Overall length to be measured on site by contractor prior to ordering to ensure site conditions allow fitting length

Circuit Wattage: TBC Overall extrusion
Voltage: 230V
Beam Angle: -
Colour Kelvin: 3000K
Luminous Flux: TBC Overall extrusion
CRI (Ra) 90



DETAILED LUMINAIRE SCHEDULE

the language of light

Project: Maple House
Reference: 0185 - SC1

LUMINAIRE REF: ex - PR16 - **ADDED 25.02.22**

Manufacturer: Modular provided by Cirrus Lighting
Tel: Office: + 44 02034573271 Mobile: +44 7771331009
Contact: Andrew Silva Email: andrew@cirruslighting.co.uk

Location: Basement exterior canopy
Cat. Reference: **SL50 NAKED CUSTOM LENGTH EXTRUSION IP54**
Description: Suspended linear extrusion with opal linear LED's/ 3000K / IP20
Dimensions: 7400mm Length
50 mm Width
80 mm Height

Accessories: **Suspension rods for ceiling mounting length TBC**
Control Gear: DALI drivers for linear LED's integral to housing
Colour: Black, Gibson Thornley to confirm prior to ordering
CDM/H&S: -
Notes: **4 x ex-LIN2A + 1 x ex-LIN2F TO BE LOCATED WITHIN PROFILE, ex-EM2 to be located in one profile please refer to drawing**
Suspension height TBC
IP54 Rated
Suspension rods to be used to resist wind movement
Overall length to be measured on site by contractor prior to ordering to ensure site conditions allow fitting length

Circuit Wattage: TBC Overall extrusion
Voltage: 230V
Beam Angle: -
Colour Kelvin: 3000K
Luminous Flux: TBC Overall extrusion
CRI (Ra) 90

