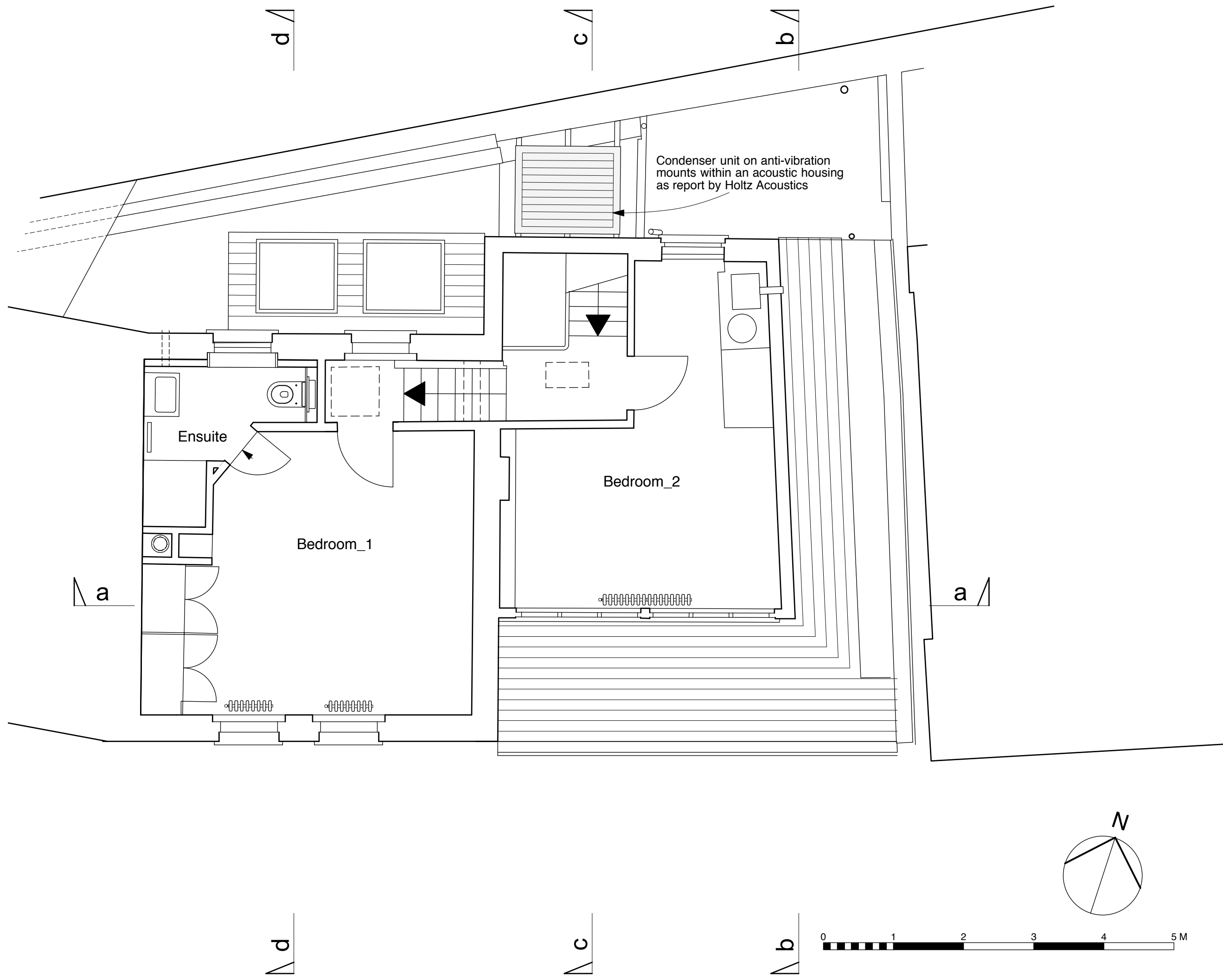


Do not scale from this drawing.
 Dimensions are to be verified on site prior to construction.
 Notes



Revisions

4orm

1-5 Offord Street London N1 1DH
 studio@4orm.co.uk
 www.4orm.co.uk

Project
 71b Flask Walk Hampstead NW3
 formerly
 The Wells and Campden Baths and Wash-Houses

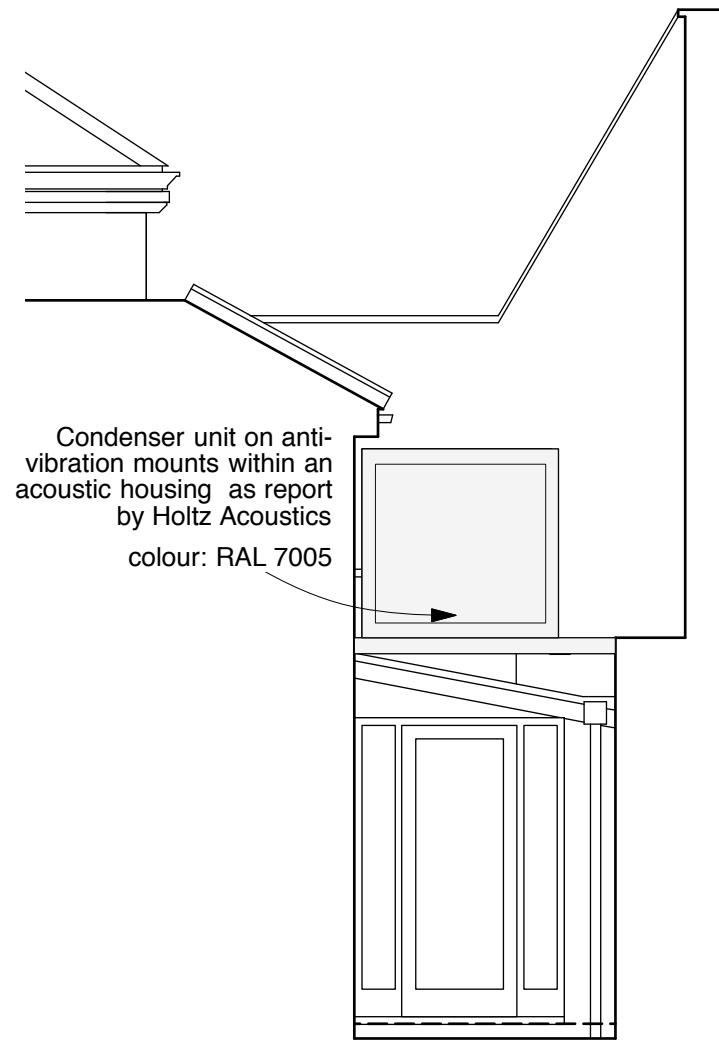
Drawing Title
 proposed
 first floor & lower roof plan

Drawing Status

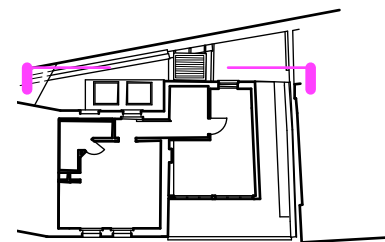
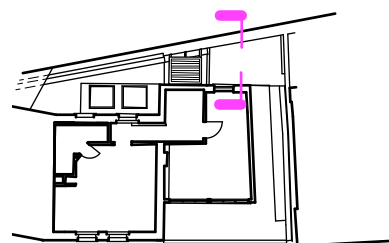
Date Scale @ A3 Drawn
 january 2022 1:50

Drawing Number
 4139-D.104

Do not scale from this drawing.
Dimensions are to be verified on site prior to
construction.
Notes



Rear Patio East Elevation



Revisions

4orm

1-5 Offord Street London N1 1DH

studio@4orm.co.uk
www.4orm.co.uk

Project
71b Flask Walk Hampstead NW3
formerly
The Wells and Campden Baths and Wash-Houses

Drawing Title
proposed
north elevation (rear)

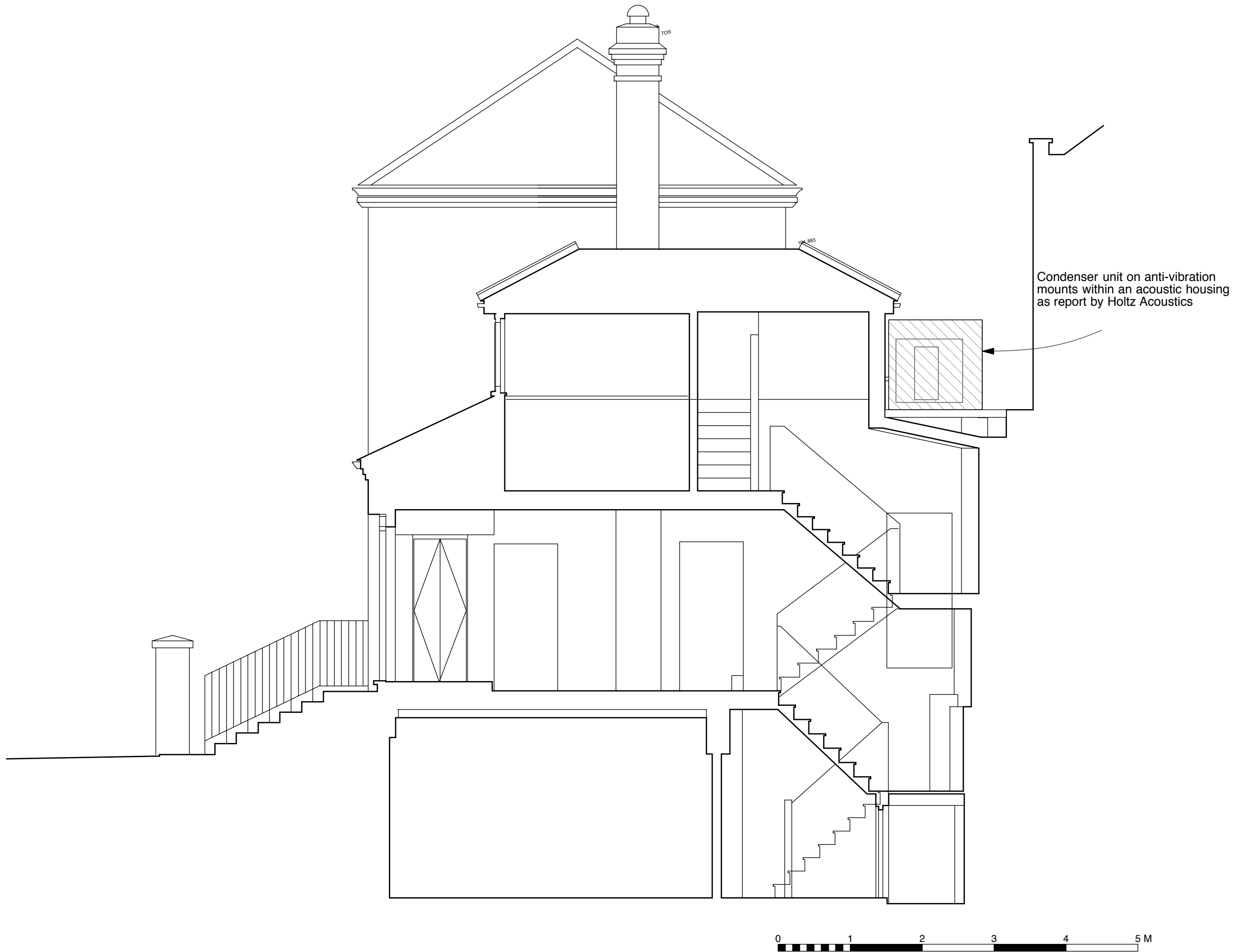
Drawing Status

Date	Scale @ A3	Drawn
february 2022	1:50	

Drawing Number
4139-D.111



Do not scale from this drawing.
Dimensions are to be verified on site prior to
construction.
Notes



Revisions

4orm

1-5 Offord Street London N1 1DH

studio@4orm.co.uk
www.4orm.co.uk

Project
71b Flask Walk Hampstead NW3
formerly
The Wells and Campden Baths and Wash-Houses

Drawing Title
proposed
section cc

Drawing Status

Date	Scale @ A3	Drawn
january 2022	1:50	

Drawing Number

4139-D.117