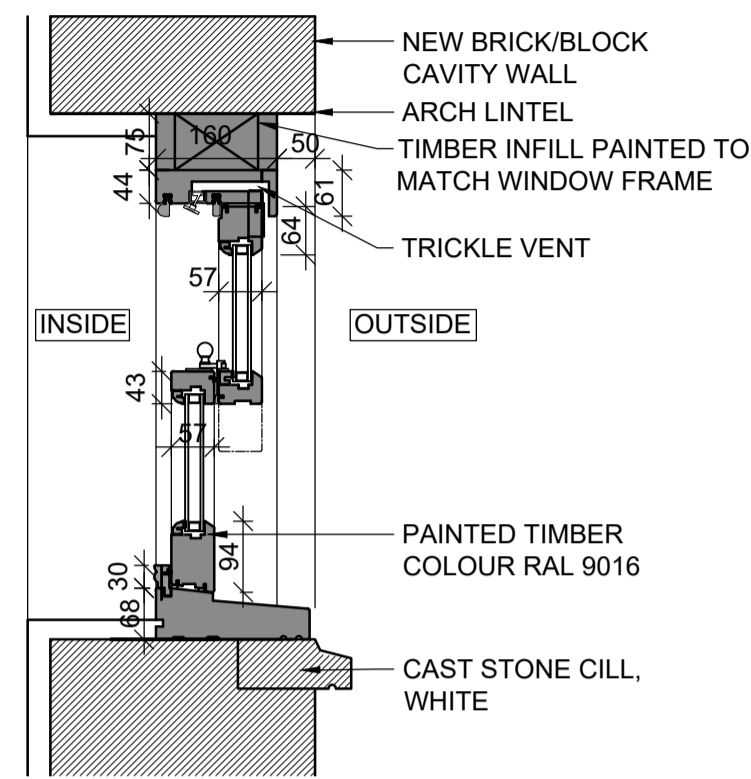
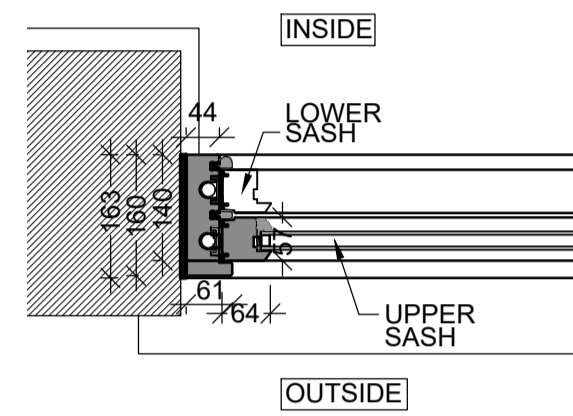


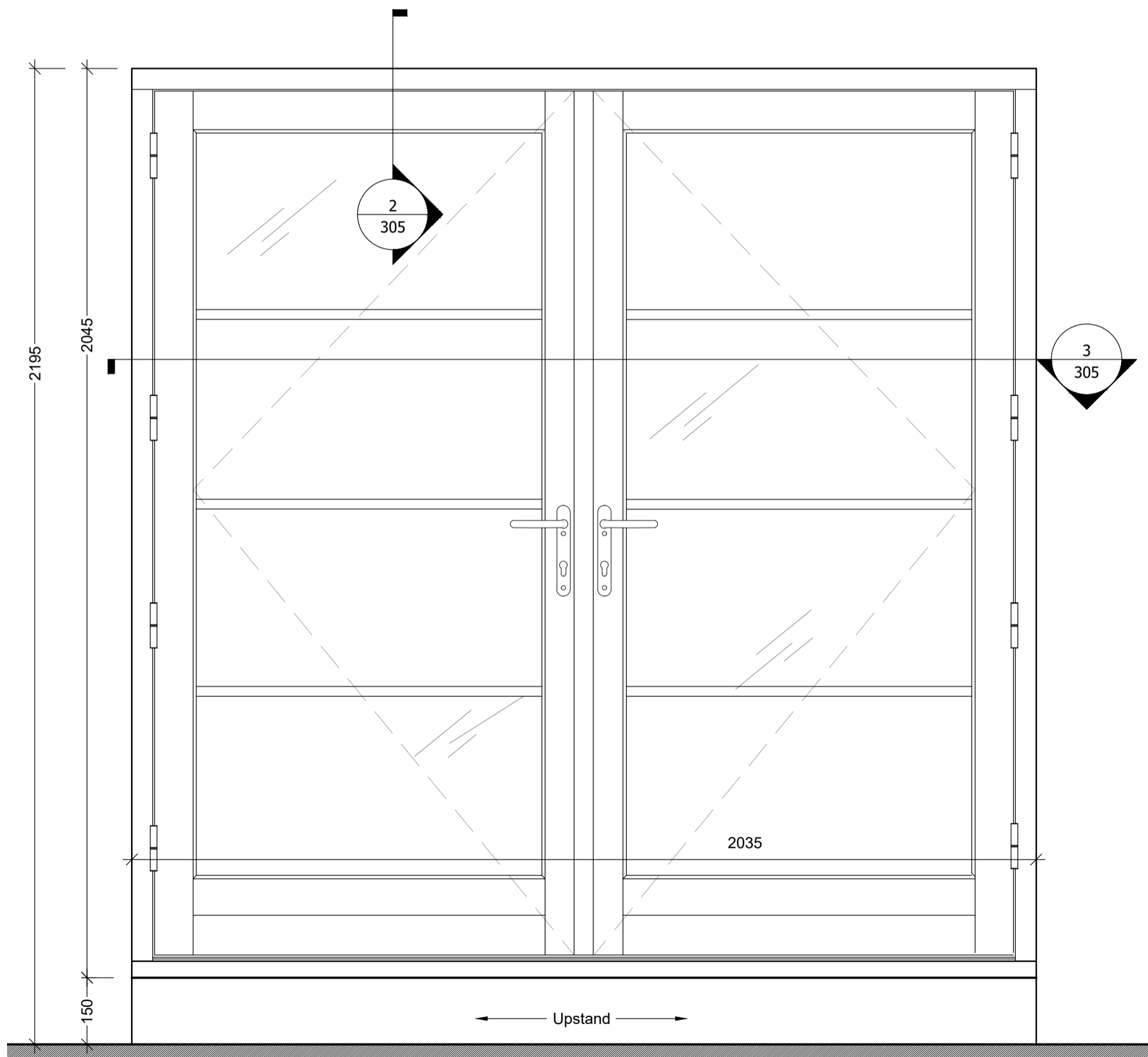
1 PROPOSED WINDOW ELEVATION



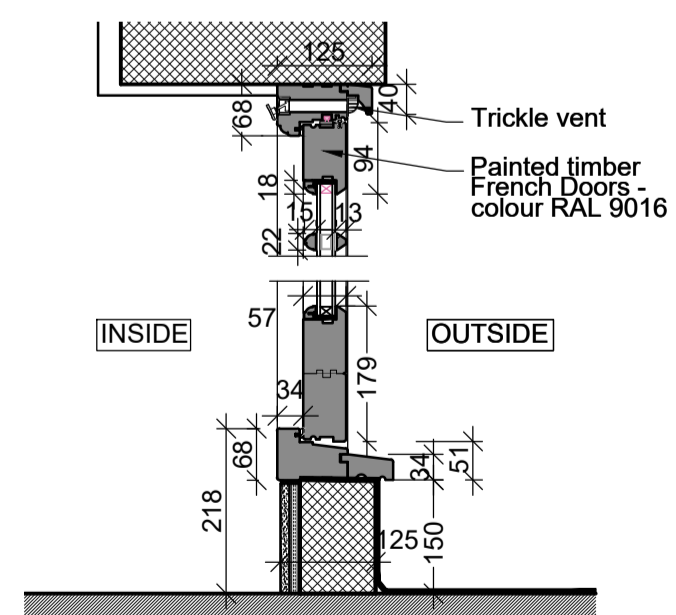
2 WINDOW SECTION DETAIL



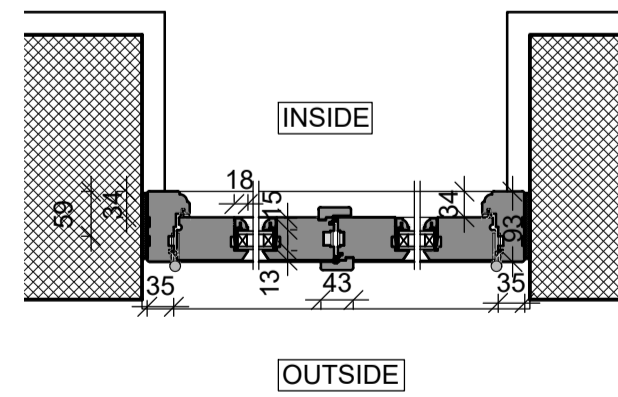
3 WINDOW JAMB DETAIL



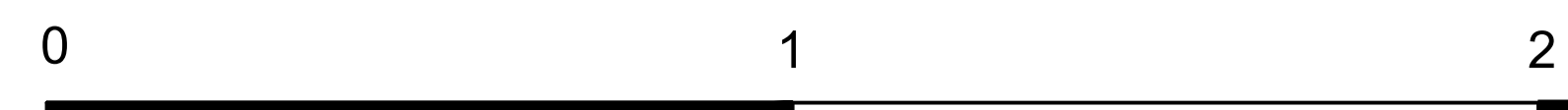
4 PROPOSED FRENCH DOOR - EXTERNAL ELEVATION



5 FRENCH DOOR SECTION DETAIL



6 FRENCH DOOR JAMB DETAIL



Rev: | Date: | Details: | By: | Chk:



EngineRoom
2 Cardinal Street
Ipswich
IP1 1LG

PLANNING

Client / Location:
53 Charlotte Street, London

Drawing:
**PROPOSED WINDOW & DOOR
DETAILS**

Scale: 1:10 @ A1	Date: 23/03/2022	Drawn: JJ	Check: PB
---------------------	---------------------	--------------	--------------

Job No: ER2101003	Dwg No: 305	Rev:
----------------------	----------------	------

Copyright EngineRoom(technical) Ltd. This title block is 100mm wide at full scale.
Do not scale. Work to figured dimensions only which should be verified on site.