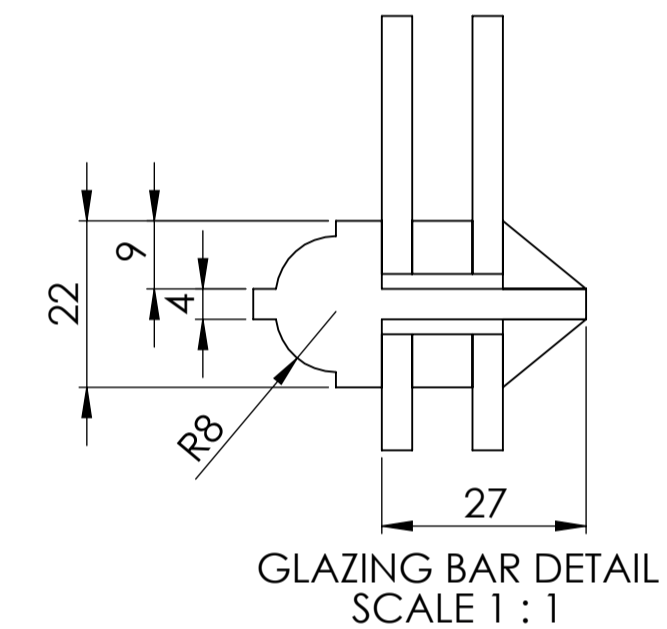


Disclaimer:
 This drawing is property of PAXMAN JOINERIES. Copyright is reserved by them and the drawing is issued on the condition that it is not copied, reproduced or disclosed to any person, wholly or in part, without the written consent of PAXMAN JOINERIES. Do not scale from this drawing. All dimensions to be checked on site. All dimensions in MM unless otherwise stated. IF IN DOUBT ASK

Notes:
Timber:
 Accoya
Glass:
 Slenderline Heritage IGU
 4mm Softcoat
 8mm Black Super Spacer
 4mm Clear
 Krypton Gas Filled
 Toughened Where Required
Factory Finish:
 Fully Painted RAL 9010 Eggshell



REVISIONS		
REV.	DESCRIPTION	DATE
A	Notes Updated. Double Glazed Unit Thickness Increased To Meet Required U-Value. Face Brick Added	07/01/2022
B	Margin Increased. Weatherseal Colour Confirmed. Cill Extension Added. Notes Added	20/01/2022
C	Cill Extension Extended To 100mm To EX4-01 To EX4-03	21/01/2022
D	Meeting roll reduced. Weatherseal changed to brush seal in meeting roll. Note added.	02/02/2022
E	Top outer lining increased	04/02/2022
F	Cill Extension Extended To 140mm To EX4-01 To EX4-03	10/02/2022
G	Horns Removed. Meeting Rail Increased	08/03/2022

PAXMAN JOINERIES
 PURPOSE-MADE JOINERY MANUFACTURERS
 Paxman Joineries LTD.,
 50 Vanguard Way, Shoeburyness, Essex S83 9QY
 Telephone: 01702 294655 Fax: 01702 296571

Client:
 GPF Lewis

Project Address:
 67 Charlotte Street
 London
 W1T 4PH

Drawing Title:
 Typical Box Sash
 Window

Drawing No:
 P1485-00

Status:
 Construction

Date:
 02/12/2021

Drawn By:
 MW

Rev:
 G

Scale:
 @ A1

Job No:
 Checked By:

All cill extensions cut to finished lengths and delivered loose to site

Cill extension to EX4-04 to EX4-06
 Cill extension to EX4-01 to EX4-03

Reduced to 24mm for windows EX-4-01 to EX-04-06

White weatherseal

White weatherseal

White weatherseal

White weatherseal

White weatherseal

White weatherseal

White weatherseal

For EX-4-01, EX-4-02, EX-4-03

2mm gap

4mm gap

4mm gap

4mm gap

4mm gap

Face Brick

SECTION B-B
 SCALE 1 : 2

SECTION C-C
 SCALE 1 : 2

SECTION A-A
 SCALE 1 : 2

Face Brick

2mm gap

2mm gap

2mm gap

All cill extensions cut to finished lengths and delivered loose to site

4mm gap

4mm gap

White weatherseal

White weatherseal

White weatherseal

For EX-4-01, EX-4-02, EX-4-03

2mm gap

Cill extension to EX4-04 to EX4-06

Cill extension to EX4-01 to EX4-03

Reduced to 24mm for windows EX-4-01 to EX-04-06

White weatherseal

White weatherseal

White weatherseal

White weatherseal

White weatherseal

White weatherseal

White weatherseal

For EX-4-01, EX-4-02, EX-4-03

2mm gap

Cill extension to EX4-04 to EX4-06

Cill extension to EX4-01 to EX4-03