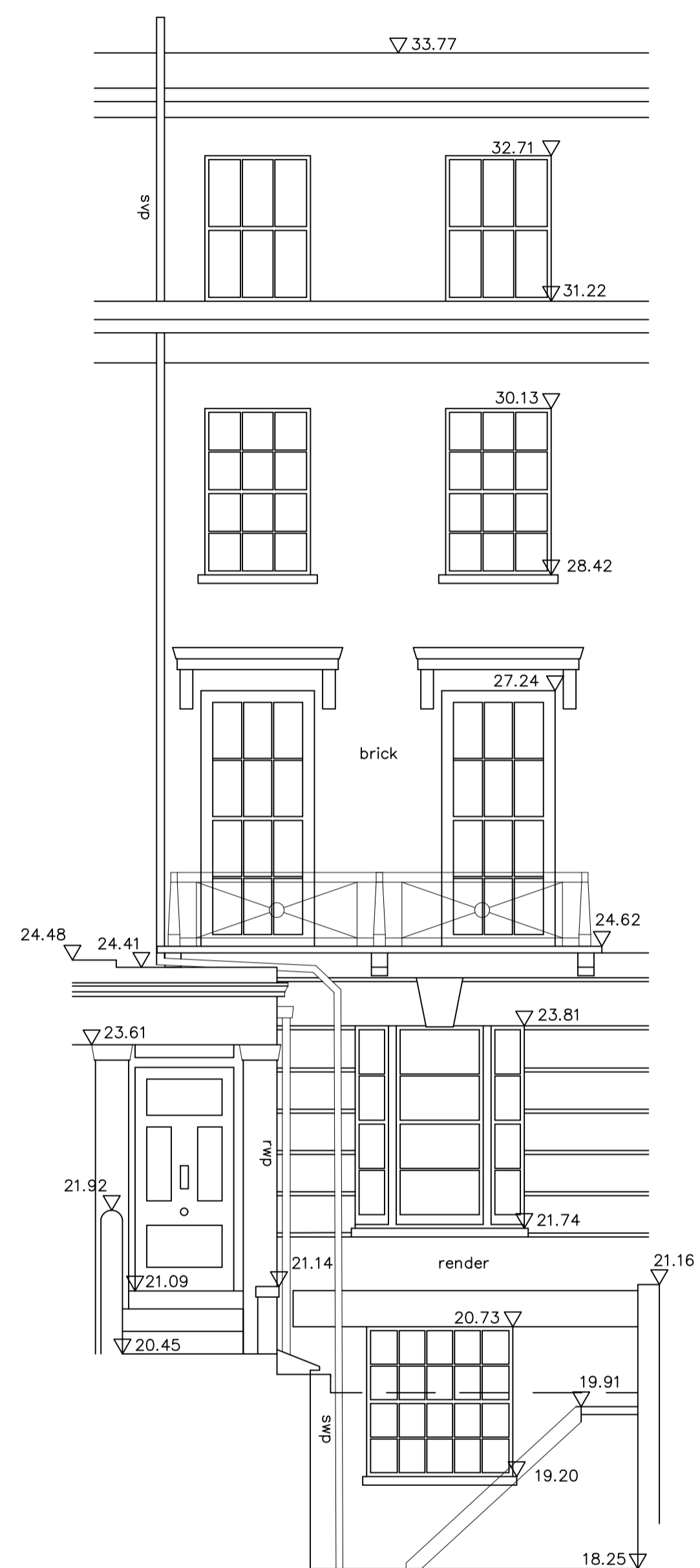
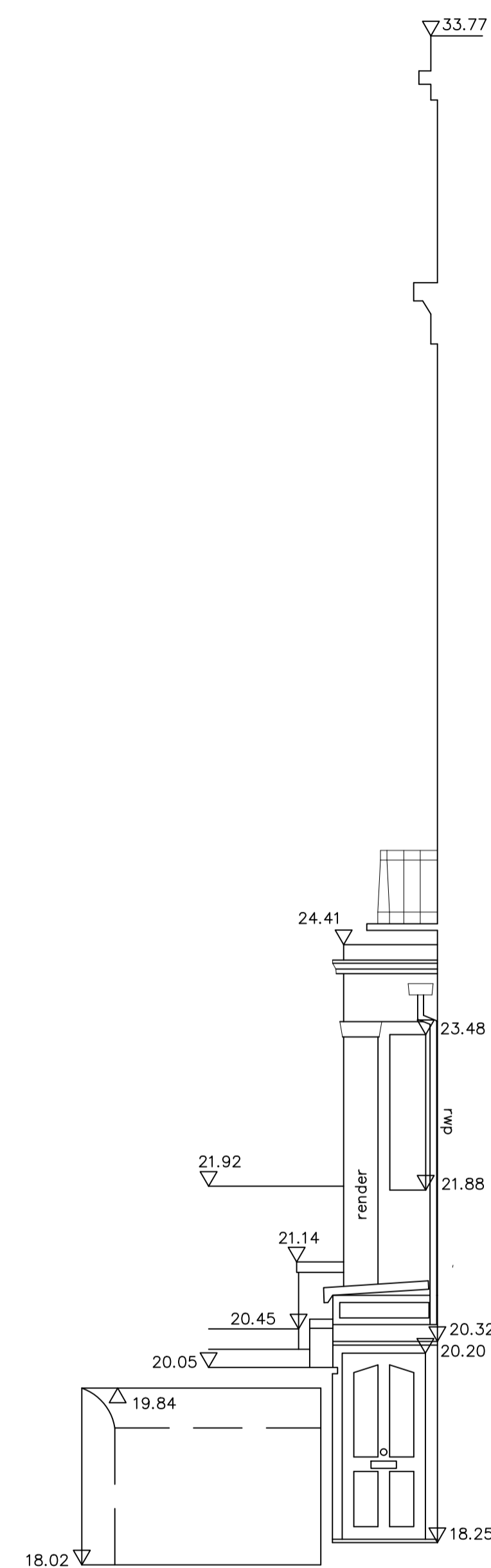


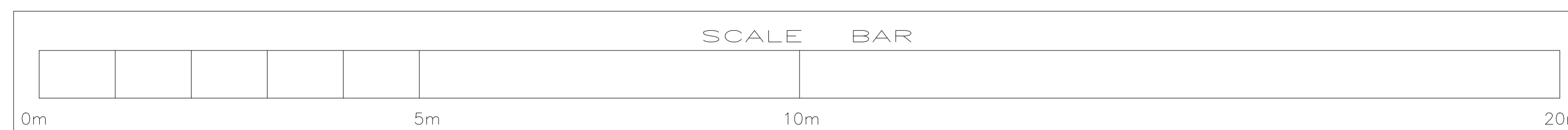
FRONT ELEVATION




SIDE PORCH ELEVATION



Datum 15.00m



Signature	Amendment	Date	Rev.
 <b>GRYPHON SURVEYS</b> Unit 5, Coptfold Hall Farm, Writtle Road, Margarett, Essex, CM4 0EL Telephone: 01277 212794 e-mail: admin@gryphonsurveys.co.uk			
Job Title:		Drawn: SG	
33 GLOUCESTER CRESCENT LONDON NW1		Checked: LR	
Description		Scale: 1:50@A1	
		Date: 03/22	
		Ref: G7052-2	
ELEVATIONS			