

DETAILED LUMINAIRE SCHEDULE – EXTERIOR LIGHTING

PROJECT: STEPHENSON HOUSE
EXTERIOR LIGHTING

REFERENCE: 0164 – SC2

CLIENT: LAZARI INVESTMENTS LIMITED

DATE: 29 NOVEMBER 2019

REVISION: C5 – ISSUED 30 07 21



DETAILED LUMINAIRE SCHEDULE

the language of light

Project: Stephenson House – Exterior Lighting
Reference: 0164 – SC2

Revision Status

C 1 / 2 9 . 1 1 . 1 9 – FOR CONSTRUCTION
A / 0 3 . 0 7 . 2 0 – DL7, DL7E, DL9, DL9E, DL11, DL11E, EM4, EM5, EM7, L4, SP3, SP4, SP6 and SP7 added from SC1; DL13, DL14, EM11, EM12, EM13, EM14, U2 added; DL12 deleted
C 2 / 1 7 . 0 7 . 2 0 – DRIVER INFORMATION ADDED
C 3 / 0 5 . 0 3 . 2 1 – SP7, EM7 and AA1 UPDATED, WL4e and L16e ADDED
C 4 / 2 1 . 0 5 . 2 1 – WL4e RAL information added, DL7E and DL9E emergency battery pack dimensions added, SP3, SP4, SP6 and SP7 driver note updated, AA1 notes updated
C 5 / 3 0 . 0 7 . 2 1 – RAL colour confirmed for LIN4, LIN5 and LIN6

1. GENERAL CONDITIONS

- 1.1 The specification sheets indicating the lighting design requirements for specific areas within this project form part of this document and should be read in conjunction with this preamble and the Lighting Consultant's relevant drawings, and associated sketches.
- 1.2 This specification supersedes all previous issues.
- 1.3 All quantities shall be checked against the construction drawings.
- 1.4 All luminaires fixed to Portland stone or similar should be resin fixed.

2. SAMPLES & PROTOTYPES

- 2.1 All lighting equipment shall be currently available – working samples will be required for submission and are to be approved by the Client/Architect.
- 2.2 Should a sample of a standard, or prototype of a special luminaire or variant of a standard luminaire be ordered, its cost shall either be incorporated in a tender price, or shall be invoiced to the Client or his nominated representative separately, as agreed.
- 2.3 Any such sample prototype or variant shall comply with the lighting design specification, and shall be submitted to the Lighting Consultant, together with full photometric and dimensional data if specifically requested, to enable both its accurate assessment and the detailing of any adjustments deemed necessary prior to the commencement of full production.

3. STANDARDS COMPLIANCE

- 3.1 For projects in the United Kingdom, all equipment supplied shall comply with the relevant BS, EN and IEC requirements, and be capable of installation in accordance with the manufacturers' instructions, the current edition of the IEE Wiring Regulations and all statutory and local authority requirements. Standards requirements particular to individual luminaire types are indicated on the relevant specification sheet.

DETAILED LUMINAIRE SCHEDULE

Project: Stephenson House – Exterior Lighting
 Reference: 0164 – SC2

3.2 Notwithstanding the above, the following British Standards in particular should be checked for compliance:

- BS 559 Electric signs and high voltage luminous discharge tube installations.
- BS 3535 Safety isolating transformers for industrial and domestic purposes.
- BS 4533 Luminaires.

3.3 For projects outside the United Kingdom, all equipment supplied shall comply with the relevant standards currently in force in the project's country of origin.

3.4 The cost of obtaining any necessary approvals shall be included in any tender price, detailed as a separate item.

4 PROTECTION

4.1 All equipment shall be supplied with adequate means of protection to ensure its preservation during transport to site and any subsequent storage prior to installation.

4.2 All vulnerable finished parts liable to scratching or other abrasion during handling and installation shall be further protected by a removable film applied prior to dispatch.

5. TECHNICAL REQUIREMENTS

5.1 Luminaires

5.1.1 Equipment selected as a standard item from a particular manufacturer's range has been specified with a view to performance, optics, maintenance, quality, aesthetics, etc.

5.1.2 Should alternative equipment be offered, full technical and photometric data shall be submitted to Studio29 Ltd in time to enable its accurate assessment. If any variants of standard luminaires are required, these shall be developed by the manufacturer of the standard luminaire, unless otherwise specifically stated, and shall be manufactured to the same standards as the equivalent standard luminaire.

5.1.3 If specified, two copies of all working drawings of proposed variants dimensioned in millimetres shall be supplied to Studio29 Ltd for approval prior to fabrication.

5.1.4 Notwithstanding the above, the manufacturer shall remain responsible for ensuring compliance with relevant standards, the accuracy of the information shown on his drawings at all times and for ensuring that the equipment shown fulfils the requirements of this specification.

5.1.5 Studio29 Ltd cannot accept responsibility for the installation of non-approved luminaires.

5.1.6 The final location of each luminaire and, where relevant, its integration with the architecture shall be as detailed on the construction issue drawings. Studio29 Ltd cannot accept responsibility for luminaires installed in a manner other than indicated in the relevant drawings or as otherwise agreed and minuted.

5.2 Control Gear

5.2.1 All necessary control gear and transformers shall be mounted within the luminaire unless shown as being located remote or adjacent. All such gear shall be of good quality construction, shall comply with all relevant statutory regulations, shall be compatible with the lamps specified, and shall be mounted and wired in accordance with the manufacturers' instructions.

DETAILED LUMINAIRE SCHEDULE

Project: Stephenson House – Exterior Lighting
Reference: 0164 – SC2

- 5.2.2 Where appropriate, the luminaire manufacturer shall ensure compatibility between control gear and the proposed control system. The manufacturer shall also provide all necessary data regarding gear losses, etc. to enable dimmers / contactors to be sized correctly.
- 5.2.3 Transformers shall have a stable output voltage of 11.8V / 22.8V, under varying loads, where the output voltage is nominally quoted at 12V / 24V.
- 5.2.4 Unless otherwise stated, all transformers shall be suitable for dimming on their primary side via a thyristor controlled remote lighting control system.
- 5.2.5 Where gear or transformers are installed remotely, care should be taken to ensure that any audible sounds generated by control gear, or by lamp filaments via control gear are kept to a minimum. Where this is particularly crucial, detailed acoustic requirements are included in the Specific Conditions.
- 5.2.6 All equipment shall be protected from unexpected mains failure, and mains borne interference.
- 5.2.7 Electrical supply connections shall be designed to facilitate the easy installation of the luminaires. The supplier shall liaise with the Electrical Engineer to ensure any specific requirements of his in this respect are met.
- 5.3 Lamps
- 5.3.1 The following lamp manufacturers are approved;
General Electric; Osram Sylvania; Philips; Venture; and BLV.
- 5.3.2 Incandescent and tungsten halogen lamps shall not be operated, other than for initial testing, prior to final inspection.
- 5.3.3 Should alternative lamps be offered, these shall require the approval of Studio29 Ltd except where noted below, provided particular attention is paid to colour rendering, colour temperature, light distribution, life expectancy and general performance when selecting such alternatives.
- 5.3.4 Allowance shall be made for the specialised installation of lighting as required (ie cold cathode). Such installation may require the services of a specialise sub contractor
- 5.3.5 Studio29 Ltd recommends that a lamp recycling/disposal regime be assessed by the client/building operator prior to completion of the project. Services provided by various lamp recycling contractors vary and the suitability for a particular project and the completeness of their recycling processes should be assessed by the operator.
- Disposal of twenty fluorescent, or metal halide, lamps or greater is considered hazardous waste disposal and must be carried out at a licensed landfill site or through a licensed recycling company.
- Recommended lamp recycling contractors include but are not limited to:

THE LAMP RECYCLING COMPANY

7 Bessemer Park
Bessemer Road
Basingstoke, RG21 3NB
United Kingdom

DETAILED LUMINAIRE SCHEDULE

the language of light

Project: Stephenson House – Exterior Lighting
Reference: 0164 – SC2

LUMINAIRE REF: AA1 - UPDATED 21.05.21

Manufacturer: Meyer (Commercial Lighting)
Tel: Office: 01489 581 002 Mobile: 07885 674 299
Contact: Howard Lawrence Email: howard.lawrence@commercial-lighting.co.uk

Location: Hampstead Road - Exterior Facade

Cat. Reference: 8 818 006 118 CUSTOM RAL FINISH

Description: Surface Mounted exterior luminaire, narrow beam
Dimensions: 112 mm height (including fixing bracket)
83 mm depth
93 mm Width (including fixing bracket)

Accessories: **Custom made bracket to attach to balustrade plate, bracket to be designed by**

Permasteelisa

Control Gear: Integral DALI

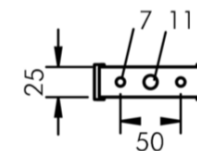
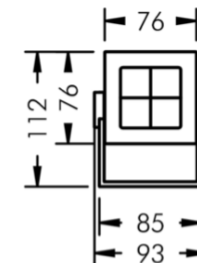
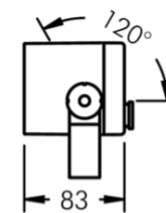
Colour: RAL to match balconies -

RAL 1035 Pearl Beige

CDM/H&S: Suitable safety precautions to be taken when working at heights

Notes: **Exact fixing method to be determined by Permasteelisa**

Circuit Wattage: 4W
Voltage: 230V
Beam Angle: 6°
Colour Kelvin: 3000K
Luminous Flux: 301 lm
CRI (Ra) >80



DETAILED LUMINAIRE SCHEDULE

the language of light

Project: Stephenson House – Exterior Lighting
Reference: 0164 – SC2

LUMINAIRE REF: DL7 – UPDATED 17.07.20

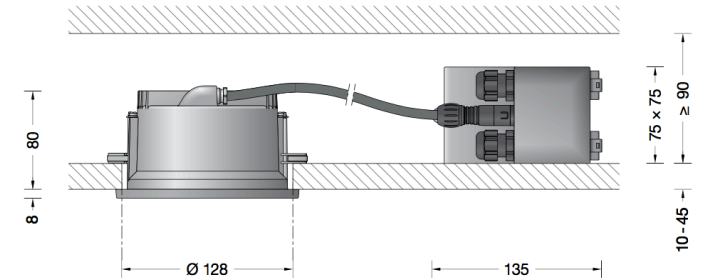
Manufacturer: Bega (supplied by Fagerhult)
Tel: Office: 020 7403 4123 Mobile: 075 8550 9782
Contact: Sam Ashdown Email: sam.ashdown@fagerhult.co.uk

Location: SME Entrance
Cat. Reference: **24823 K3 W RAL**
Description: Recessed downlight / 35° / 3000K / IP65
Dimensions: 145 mm diameter
80 mm depth
90 mm recessed depth required
Ceiling cut-out: 128 mm diameter

Accessories: -
Control Gear: Remote driver / DALI dimming
Colour: Custom RAL 9016 Traffic White
CDM/H&S: -
Notes:

Driver dimensions as noted in adjacent image
Maximum Driver Distance: 0.5m – Please locate adjacent to luminaire in ceiling void
Longer driver distances can be requested if required

Circuit Wattage: 10 W
Voltage: 170-280 V
Beam Angle: 35°
Colour Kelvin: 3000K
Luminous Flux: 1151 lm
CRI (Ra) 80



DETAILED LUMINAIRE SCHEDULE

the language of light

Project: Stephenson House – Exterior Lighting
Reference: 0164 – SC2

LUMINAIRE REF:

DL7E – UPDATED 21.05.21

Manufacturer: Bega (supplied by Fagerhult)
Tel: Office: 020 7403 4123 Mobile: 075 8550 9782
Contact: Sam Ashdown Email: sam.ashdown@fagerhult.co.uk

Location: SME Entrance
Cat. Reference: **24823 K3 W RAL**
Description: Recessed downlight / 35° / 3000K / IP65
Dimensions: 145 mm diameter
80 mm depth
90 mm recessed depth required
Ceiling cut-out: 128 mm diameter

Accessories: **3-hour emergency battery pack**

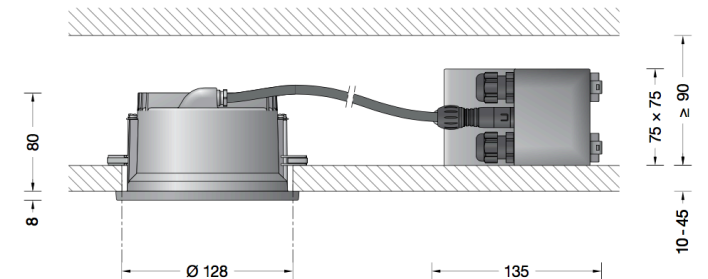
Control Gear: Remote driver / DALI dimming

Colour: Custom RAL 9016 Traffic White

CDM/H&S: -

Notes: **Architectural luminaire to be used as maintained emergency fitting and to be supplied with remote 3 hour emergency DALI battery pack to link up to the Lutron system**
Driver dimensions as noted in adjacent image
Maximum Driver Distance: 0.5m – Please locate adjacent to luminaire in ceiling void
Longer driver distances can be requested if required
Emergency pack dimensions 230mm x 80mm x 65mm to fit through cut-out

Circuit Wattage: 10 W
Voltage: 170-280 V
Beam Angle: 35°
Colour Kelvin: 3000K
Luminous Flux: 1151 lm
CRI (Ra) 80



DETAILED LUMINAIRE SCHEDULE

the language of light

Project: Stephenson House – Exterior Lighting
Reference: 0164 – SC2

LUMINAIRE REF:

DL9 – UPDATED 17.07.20

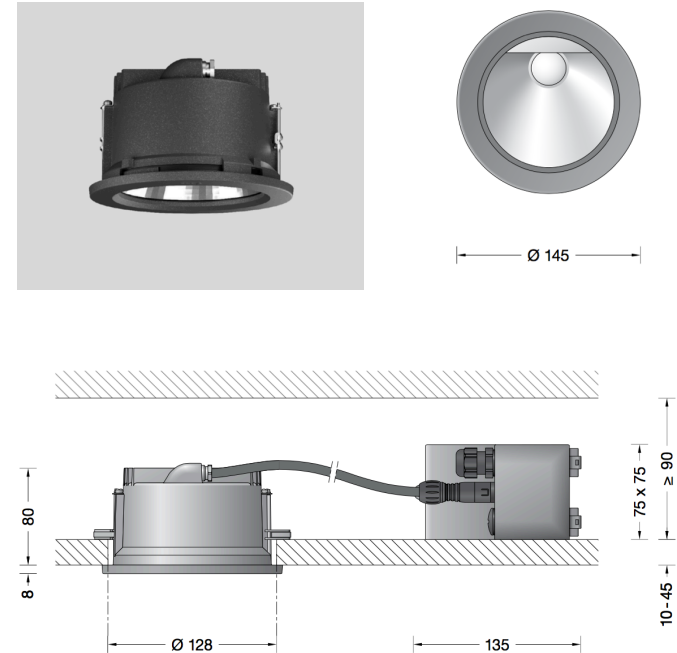
Manufacturer: Bega (supplied by Fagerhult)
Tel: Office: 020 7403 4123 Mobile: 075 8550 9782
Contact: Sam Ashdown Email: sam.ashdown@fagerhult.co.uk

Location: Residential Entrance
Cat. Reference: **24841 K3 RAL**
Description: Recessed downlight / wallwash beam / 3000K / IP65
Dimensions: 145 mm diameter
80 mm depth
90 mm recessed depth required
Ceiling cut-out: 128 mm diameter

Accessories: -
Control Gear: Remote driver / DALI dimming
Colour: Custom RAL 9005 Jet Black
CDM/H&S: -
Notes:

Driver dimensions as noted in adjacent image
Maximum Driver Distance: 0.5m – Please locate adjacent to luminaire in ceiling void
Longer driver distances can be requested if required

Circuit Wattage: 14 W
Voltage: 176-280 V
Beam Angle: 63/64°
Colour Kelvin: 3000K
Luminous Flux: 1212 lm
CRI (Ra) 80



DETAILED LUMINAIRE SCHEDULE

the language of light

Project: Stephenson House – Exterior Lighting
Reference: 0164 – SC2

LUMINAIRE REF:

DL9E – UPDATED 21.05.21

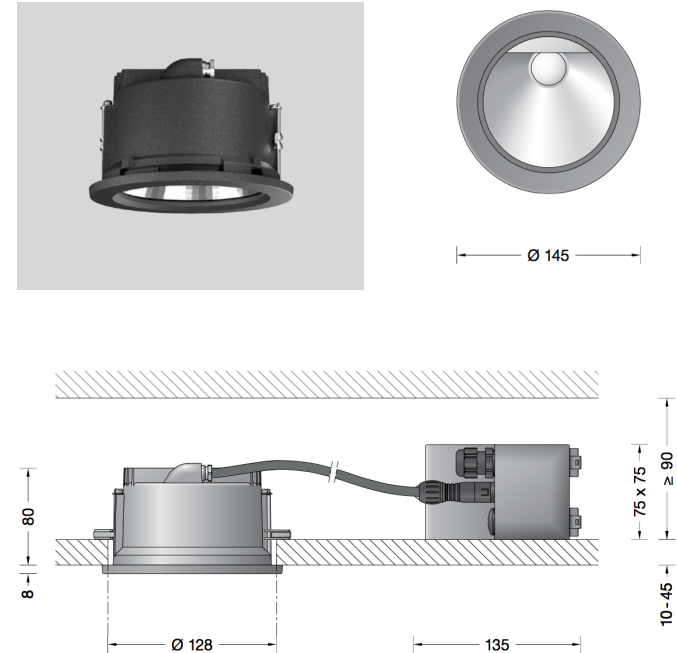
Manufacturer: Bega (supplied by Fagerhult)
Tel: Office: 020 7403 4123 Mobile: 075 8550 9782
Contact: Sam Ashdown Email: sam.ashdown@fagerhult.co.uk

Location: Residential Entrance
Cat. Reference: **24841 K3 RAL**
Description: Recessed downlight / wallwash beam / 3000K / IP65
Dimensions: 145 mm diameter
80 mm depth
90 mm recessed depth required
Ceiling cut-out: 128 mm diameter

Accessories: **3-hour emergency battery pack**
Control Gear: Remote driver / DALI dimming
Colour: Custom RAL 9005 Jet Black
CDM/H&S: -
Notes:

Architectural luminaire to be used as maintained emergency fitting and to be supplied with remote 3 hour emergency DALI battery pack to link up to the Lutron system
Driver dimensions as noted in adjacent image
Maximum Driver Distance: 0.5m – Please locate adjacent to luminaire in ceiling void
Longer driver distances can be requested if required
Emergency pack dimensions 230mm x 80mm x 65mm to fit through cut-out

Circuit Wattage: 14 W
Voltage: 176-280 V
Beam Angle: 63/64°
Colour Kelvin: 3000K
Luminous Flux: 1212 lm
CRI (Ra) 80



DETAILED LUMINAIRE SCHEDULE

the language of light

Project: Stephenson House – Exterior Lighting
Reference: 0164 – SC2

LUMINAIRE REF:

DL11 – UPDATED 17.07.20

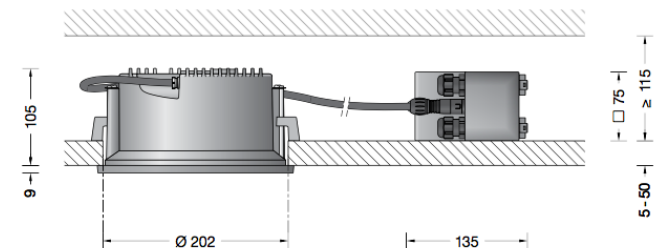
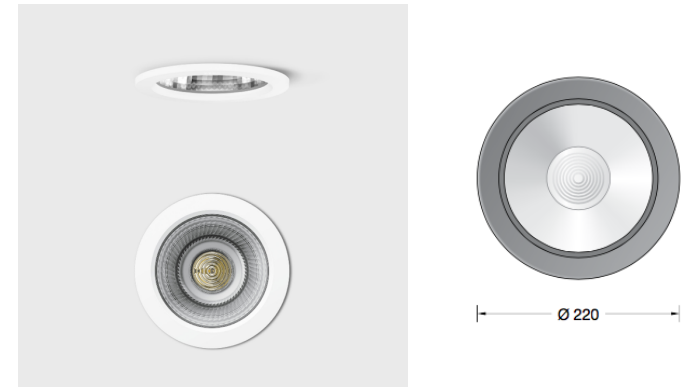
Manufacturer: Bega (supplied by Fagerhult)
Tel: Office: 020 7403 4123 Mobile: 075 8550 9782
Contact: Sam Ashdown Email: sam.ashdown@fagerhult.co.uk

Location: Main Entrance Colonnade
Cat. Reference: **24831 K3 W RAL**
Description: Recessed downlight / 56° / 3000K / IP65
Dimensions: 220 mm diameter
105 mm depth
115 mm recessed depth required
Ceiling cut-out: 202 mm diameter

Accessories: -
Control Gear: Remote driver / DALI dimming
Colour: Custom RAL 9016 Traffic White
CDM/H&S: -
Notes:

Driver dimensions as noted in adjacent image
Maximum Driver Distance: 0.5m – Please locate adjacent to luminaire in ceiling void
Longer driver distances can be requested if required

Circuit Wattage: 19.4 W
Voltage: 176-276 V
Beam Angle: 56°
Colour Kelvin: 3000K
Luminous Flux: 2454 lm
CRI (Ra) 80



DETAILED LUMINAIRE SCHEDULE

the language of light

Project: Stephenson House – Exterior Lighting
Reference: 0164 – SC2

LUMINAIRE REF: **DL11E – UPDATED 17.07.20**

Manufacturer: Bega (supplied by Fagerhult)
Tel: Office: 020 7403 4123 Mobile: 075 8550 9782
Contact: Sam Ashdown Email: sam.ashdown@fagerhult.co.uk

Location: Main Entrance Colonnade
Cat. Reference: **24831 K3 W RAL**
Description: Recessed downlight / 56° / 3000K / IP65
Dimensions: 220 mm diameter
105 mm depth
115 mm recessed depth required
Ceiling cut-out: 202 mm diameter

Accessories: **3-hour emergency battery pack**

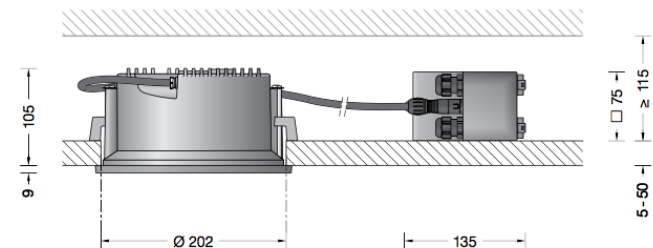
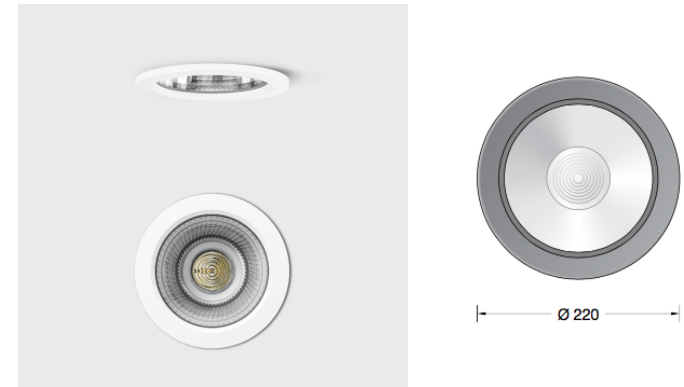
Control Gear: Remote driver / DALI dimming

Colour: Custom RAL 9016 Traffic White

CDM/H&S: -

Notes: **Architectural luminaire to be used as maintained emergency fitting and to be supplied with remote 3 hour emergency DALI battery pack to link up to the Lutron system**
Driver dimensions as noted in adjacent image
Maximum Driver Distance: 0.5m – Please locate adjacent to luminaire in ceiling void
Longer driver distances can be requested if required

Circuit Wattage: 19.4 W
Voltage: 176-276 V
Beam Angle: 56°
Colour Kelvin: 3000K
Luminous Flux: 2454 lm
CRI (Ra) 80



DETAILED LUMINAIRE SCHEDULE

the language of light

Project: Stephenson House – Exterior Lighting
Reference: 0164 – SC2

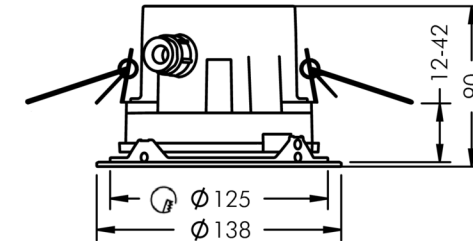
LUMINAIRE REF: DL12 - OMITTED 03.07.20

Manufacturer: Meyer (Commercial Lighting)
Tel: Office: 01489 581 002 Mobile: 07885 674 299
Contact: Howard Lawrence Email: howard.lawrence@commercial-lighting.co.uk

Location: Exterior Lantern
Cat. Reference: **8 314 156 018**
Description: Recessed exterior downlight luminaire, narrow beam
Dimensions: 138 mm diameter
Ceiling cut-out: 90 mm height
125 mm cut-out

Accessories: -
Control Gear: Remote driver, Dali
Colour: Silver grey
CDM/H&S: -
Notes: **Fitting subject to change following 1.1 mockup**

Circuit Wattage: 19W
Voltage: 230V
Beam Angle: 20°
Colour Kelvin: 3000K
Luminous Flux: 1857 lm
CRI (Ra) 80



DETAILED LUMINAIRE SCHEDULE

the language of light

Project: Stephenson House – Exterior Lighting
Reference: 0164 – SC2

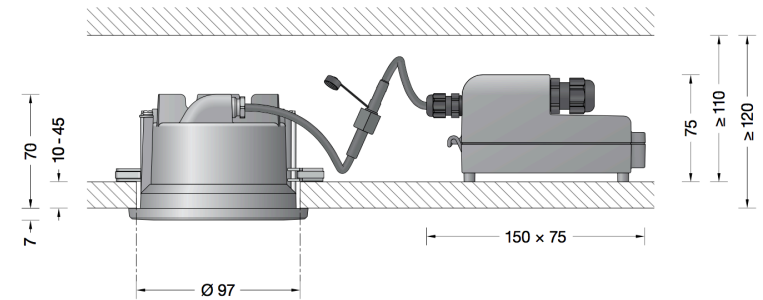
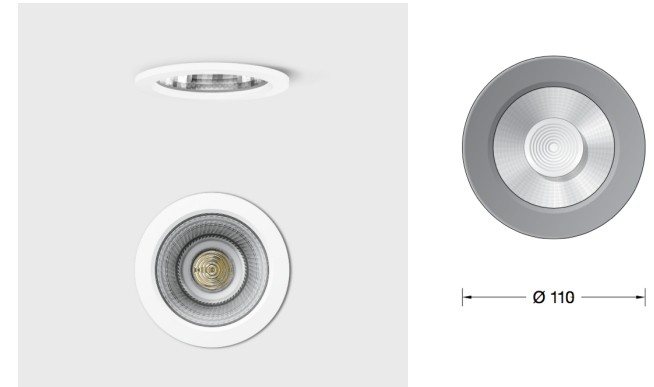
LUMINAIRE REF: DL13 – UPDATED 17.07.20

Manufacturer: Bega (supplied by Fagerhult)
Tel: Office: 020 7403 4123 Mobile: 075 8550 9782
Contact: Sam Ashdown Email: sam.ashdown@fagerhult.co.uk

Location: Main Entrance Colonnade
Cat. Reference: **24382 K3 W RAL**
Description: Recessed downlight / 16° / 3000K / IP65
Dimensions: 110 mm diameter
70 mm depth
110 mm recessed depth required
Ceiling cut-out: 97 mm diameter

Accessories: -
Control Gear: Remote driver / DALI dimming
Colour: Custom RAL 9016 Traffic White
CDM/H&S: -
Notes: **Driver dimensions as noted in adjacent image**
Maximum Driver Distance: 0.5m – Please locate adjacent to luminaire in ceiling void
Longer driver distances can be requested if required

Circuit Wattage: 14 W
Voltage: 230 V with remote driver
Beam Angle: 16°
Colour Kelvin: 3000K
Luminous Flux: 1459 lm
CRI (Ra) 80



DETAILED LUMINAIRE SCHEDULE

the language of light

Project: Stephenson House – Exterior Lighting
Reference: 0164 – SC2

LUMINAIRE REF:

DL14 – UPDATED 17.07.20

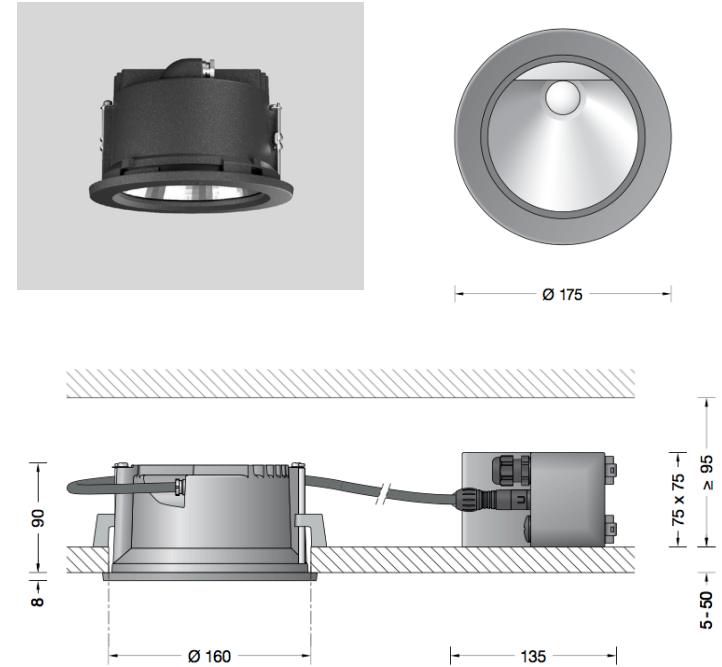
Manufacturer: Bega (supplied by Fagerhult)
Tel: Office: 020 7403 4123 Mobile: 075 8550 9782
Contact: Sam Ashdown Email: sam.ashdown@fagerhult.co.uk

Location: Main Entrance Colonnade
Cat. Reference: **24842 K3 W RAL**
Description: Recessed downlight / wallwash beam / 3000K / IP65
Dimensions: 175 mm diameter
90 mm depth
95 mm recessed depth required
Ceiling cut-out: 160 mm diameter

Accessories: -
Control Gear: Remote driver / DALI dimming
Colour: Custom RAL 9016 Traffic White
CDM/H&S: -
Notes:

Driver dimensions as noted in adjacent image
Maximum Driver Distance: 0.5m – Please locate adjacent to luminaire in ceiling void
Longer driver distances can be requested if required

Circuit Wattage: 19.6 W
Voltage: 176-280 V
Beam Angle: 70/67°
Colour Kelvin: 3000K
Luminous Flux: 1902 lm
CRI (Ra) 80



DETAILED LUMINAIRE SCHEDULE

the language of light

Project: Stephenson House – Exterior Lighting
Reference: 0164 – SC2

LUMINAIRE REF: EM4 – UPDATED 17.07.20

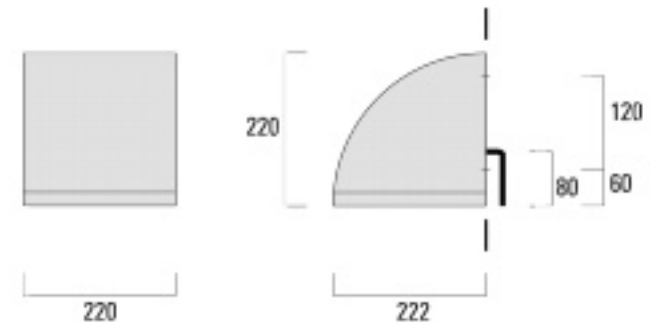
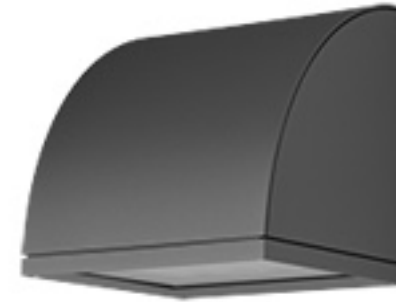
Manufacturer: We-ef
Tel: Office: 016 1518 2900 Mobile: 079 0425 5457
Contact: Rob Marsh Email: r.marsh@we-ef.com

Location: Exterior terrace lighting
Cat. Reference: **132-0530**
Description: Emergency wall light
Dimensions: 222mm Length
 220mm Height
 220mm Width

Accessories: -
Control Gear: Integral driver / DALI dimming
Colour: Custom RAL 1035 Peal Beige – Client to confirm RAL colour prior to ordering
CDM/H&S: -

Notes: **Architectural luminaire to be used as maintained emergency fitting with integral 3-hour emergency DALI battery pack to link up to the Lutron system**

Circuit Wattage: 14W
Voltage: 220-240V
Beam Angle: Asymmetric forward throw beam
Colour Kelvin: 3000K
CRI (Ra): 80
Luminous Flux: 1281 lm



DETAILED LUMINAIRE SCHEDULE

the language of light

Project: Stephenson House – Exterior Lighting
Reference: 0164 – SC2

LUMINAIRE REF: EM5 - UPDATED 17.07.20

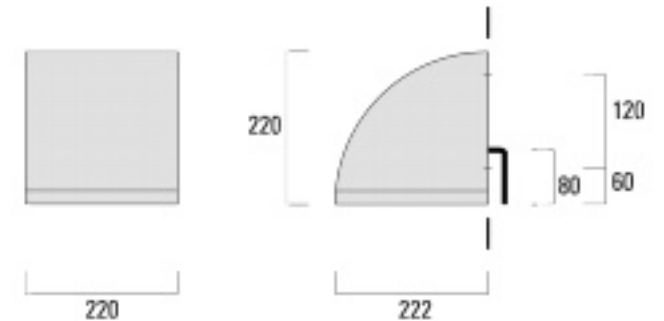
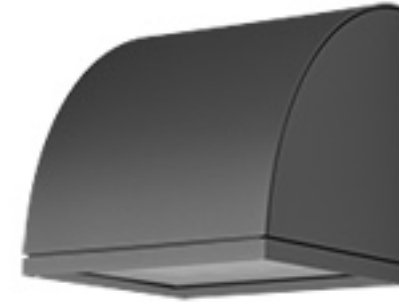
Manufacturer: We-ef
Tel: Office: 016 1518 2900 Mobile: 079 0425 5457
Contact: Rob Marsh Email: r.marsh@we-ef.com

Location: Exterior terrace lighting
Cat. Reference: **132-0526**
Description: Emergency wall light
Dimensions: 222mm Length
 220mm Height
 220mm Width

Accessories: -
Control Gear: Integral driver / DALI dimming
Colour: Custom RAL 1035 Peal Beige – Client to confirm RAL colour prior to ordering
CDM/H&S: -

Notes: **Architectural luminaire to be used as maintained emergency fitting with integral 3-hour emergency DALI battery pack to link up to the Lutron system**

Circuit Wattage: 14W
Voltage: 220-240V
Beam Angle: Asymmetric side throw beam
Colour Kelvin: 3000K
CRI (Ra): 80
Luminous Flux: 1344 lm



DETAILED LUMINAIRE SCHEDULE

the language of light

Project: Stephenson House – Exterior Lighting
Reference: 0164 – SC2

LUMINAIRE REF: EM7 – UPDATED 05.03.21

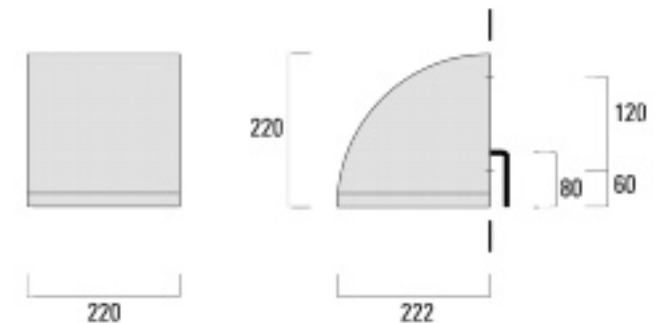
Manufacturer: We-ef
Tel: Office: 016 1518 2900 Mobile: 079 0425 5457
Contact: Rob Marsh Email: r.marsh@we-ef.com

Location: Exterior terrace lighting
Cat. Reference: **132-0528**
Description: Emergency wall light
Dimensions: 222mm Length
 220mm Height
 220mm Width

Accessories: -
Control Gear: Integral driver / DALI dimming
Colour: Custom RAL 1035 Peal Beige – Client to confirm RAL colour prior to ordering
CDM/H&S: -

Notes: **Architectural luminaire to be used as maintained emergency fitting with integral 3-hour emergency DALI battery pack to link up to the Lutron system**
Integral gear to be used which is compatible with the Lutron system. Gear has been reviewed by We-ef and a suitable alternative driver has been determined.

Circuit Wattage: 14W
Voltage: 220-240V
Beam Angle: Rectangular forward throw beam
Colour Kelvin: 3000K
CRI (Ra): 80
Luminous Flux: 1210 lm



DETAILED LUMINAIRE SCHEDULE

the language of light

Project: Stephenson House – Exterior Lighting
Reference: 0164 – SC2

LUMINAIRE REF: EM12 – UPDATED 17.07.20

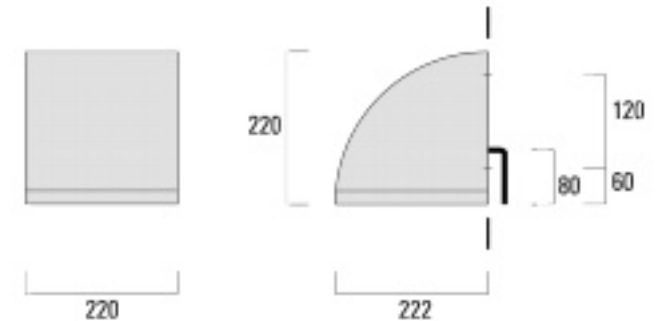
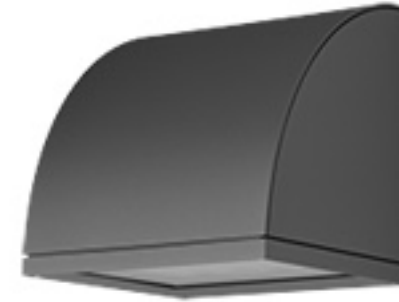
Manufacturer: We-ef
Tel: Office: 016 1518 2900 Mobile: 079 0425 5457
Contact: Rob Marsh Email: r.marsh@we-ef.com

Location: Exterior terrace level 4
Cat. Reference: **132-0536**
Description: Emergency wall light
Dimensions: 222mm Length
 220mm Height
 220mm Width

Accessories: -
Control Gear: Integral driver / DALI dimming
Colour: Custom RAL 1035 Peal Beige – Client to confirm RAL colour prior to ordering
CDM/H&S: -

Notes: **Architectural luminaire to be used as maintained emergency fitting with integral 3-hour emergency DALI battery pack to link up to the Lutron system**

Circuit Wattage: 28W
Voltage: 220-240V
Beam Angle: Asymmetric side throw beam
Colour Kelvin: 3000K
CRI (Ra): 80
Luminous Flux: 2340 lm



DETAILED LUMINAIRE SCHEDULE

the language of light

Project: Stephenson House – Exterior Lighting
Reference: 0164 – SC2

LUMINAIRE REF: EM13 – UPDATED 17.07.20

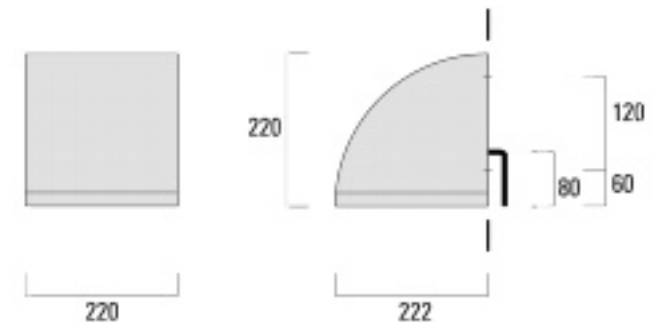
Manufacturer: We-ef
Tel: Office: 016 1518 2900 Mobile: 079 0425 5457
Contact: Rob Marsh Email: r.marsh@we-ef.com

Location: Exterior terrace level 4
Cat. Reference: **132-0540**
Description: Emergency wall light
Dimensions: Length
 222mm Height
 220mm Width
 220mm

Accessories: -
Control Gear: Integral driver / DALI dimming
Colour: Custom RAL 1035 Peal Beige – Client to confirm RAL colour prior to ordering
CDM/H&S: -

Notes: **Architectural luminaire to be used as maintained emergency fitting with integral 3-hour emergency DALI battery pack to link up to the Lutron system**

Circuit Wattage: 28W
Voltage: 220-240V
Beam Angle: Asymmetric forward throw beam
Colour Kelvin: 3000K
CRI (Ra): 80
Luminous Flux: 2230 lm



DETAILED LUMINAIRE SCHEDULE

the language of light

Project: Stephenson House – Exterior Lighting
Reference: 0164 – SC2

LUMINAIRE REF: EM14 – UPDATED 17.07.20

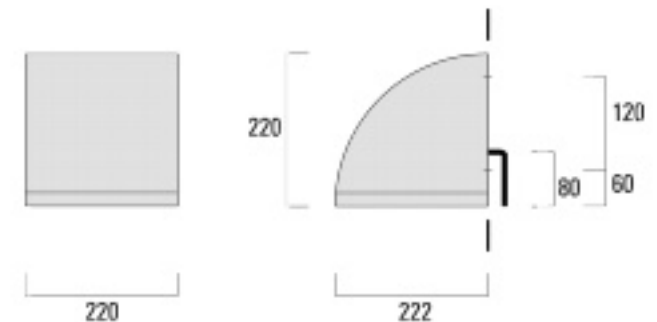
Manufacturer: We-ef
Tel: Office: 016 1518 2900 Mobile: 079 0425 5457
Contact: Rob Marsh Email: r.marsh@we-ef.com

Location: Exterior terrace level 4
Cat. Reference: **132-0538**
Description: Emergency wall light
Dimensions: 222mm Length
 220mm Height
 220mm Width

Accessories: -
Control Gear: Integral driver / DALI dimming
Colour: Custom RAL 1035 Peal Beige – Client to confirm RAL colour prior to ordering
CDM/H&S: -

Notes: **Architectural luminaire to be used as maintained emergency fitting with integral 3-hour emergency DALI battery pack to link up to the Lutron system**

Circuit Wattage: 28W
Voltage: 220-240V
Beam Angle: Rectangular side throw beam
Colour Kelvin: 3000K
CRI (Ra): 80
Luminous Flux: 2107 lm



DETAILED LUMINAIRE SCHEDULE

the language of light

Project: Stephenson House – Exterior Lighting
Reference: 0164 – SC2

LUMINAIRE REF: L3 – UPDATED 17.07.20

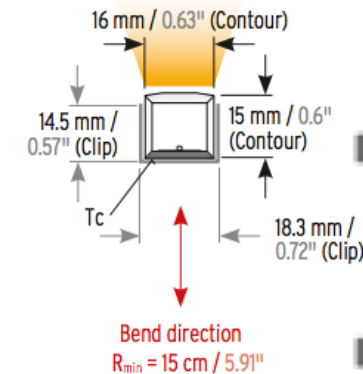
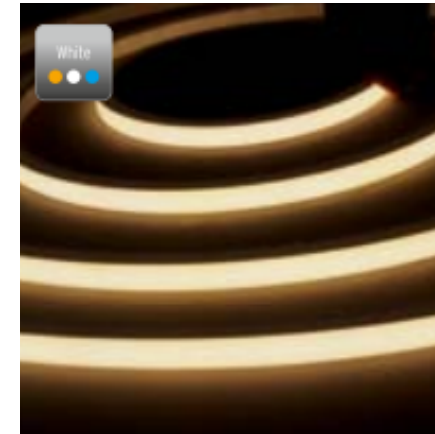
Manufacturer: LED Linear (supplied by Architectural FX)
Tel: Office: 013 4429 1536 Mobile: 075 8418 8272
Contact: James Hamilton Email: jh@architecturalfx.co.uk

Location: Terraces - Benches
Cat. Reference: **VARIOLED FLEX VENUS TV W825 IP67**
Description: Flexible linear LED / 3000K / IP6
Dimensions: Various length
15 mm height
16 mm width
Dimensions exclude mounting channel

Accessories: **Mounting clips**
Control Gear: Remote driver / DALI dimming
Colour: White
CDM/H&S: -
Notes:

Delivered colour temperature 3000K;
Electrical contractor to measure lengths onsite prior to ordering
Electrical contractor to measure lengths onsite prior to ordering
Maximum Driver Distance Based on 1.5mm CSA Cable: 20m
Maximum Driver Distance Based on 2.5mm CSA Cable: 40m
Driver Dimensions: 153mm x 50mm x 23mm
Power Supply Dimensions: 228mm x 68mm x 39mm
Please contact manufacturer for further wiring information if required
Drivers and power supplies to be housed locally in bench void, suitable IP rated box to be used.

Circuit Wattage: 6W/m
Voltage: 24V
Beam Angle: N/A
Colour Kelvin: 3000K
Luminous Flux: 330lm/m
CRI (Ra) 80



DETAILED LUMINAIRE SCHEDULE

the language of light

Project: Stephenson House – Exterior Lighting
Reference: 0164 – SC2

LUMINAIRE REF:

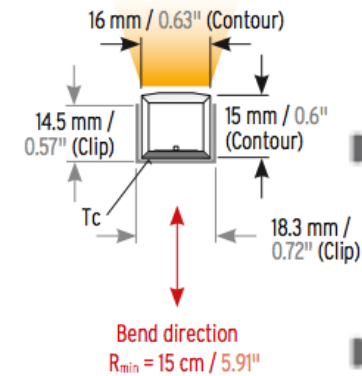
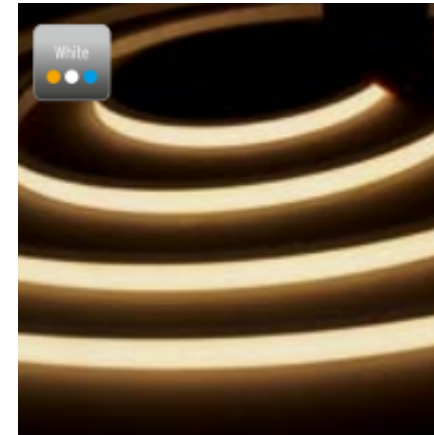
L8 – UPDATED 17.07.20

Manufacturer: LED Linear (supplied by Architectural FX)
Tel: Office: 013 4429 1536 Mobile: 075 8418 8272
Contact: James Hamilton Email: jh@architecturalfx.co.uk

Location: Lantern Frame of Light
Cat. Reference: **VARIOLED FLEX PHOBOS TC W930 TV IP67**
Description: Flexible linear LED / 3000K / IP67
Dimensions: Various Length (to be measured prior to ordering)
15 mm height
16 mm width
Dimensions do not include mounting channel

Accessories: **Custom aluminium channel RAL coloured**
Control Gear: **Remote driver – DALI dimming**
Colour: RAL coloured channel to match stonework – RAL 1035 Pearl Beige
CDM/H&S: Suitable safety precautions to be taken when working at heights
Notes: **Delivered colour temperature 3000K;**
Electrical contractor to measure lengths onsite prior to ordering
Maximum Driver Distance Based on 1.5mm CSA Cable: 18m
Maximum Driver Distance Based on 2.5mm CSA Cable: 30m
Driver Dimensions: 153mm x 50mm x 23mm
Power Supply Dimensions: 228mm x 68mm x 39mm
Maximum Series Length: 3.964m
Please contact manufacturer for further wiring information if required
Drivers and power supplies to be house internally within office ceiling void

Circuit Wattage: 10W/m
Voltage: 24V
Beam Angle: N/A
Colour Kelvin: 3000K
Luminous Flux: 530 lm/m
CRI (Ra) 90



DETAILED LUMINAIRE SCHEDULE

the language of light

Project: Stephenson House – Exterior Lighting
Reference: 0164 – SC2

LUMINAIRE REF:

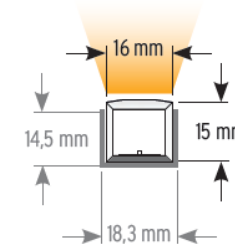
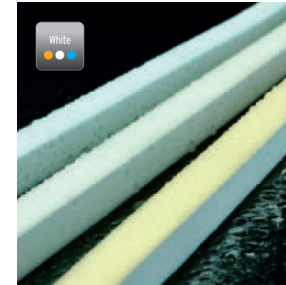
L16E – ADDED 05.03.21

Manufacturer: LED Linear (supplied by Architectural FX)
Tel: Office: 013 4429 1536 Mobile: 075 8418 8272
Contact: James Hamilton Email: jh@architecturalfx.co.uk

Location: Level 7 Terrace
Cat. Reference: **VARIOLED FLEX VENUS W825 XX TV IP67**
Description: Flexible linear LED / 3000K delivered colour temperature / IP67 / Fitting to be used for emergency lighting
Dimensions: Various Length (to be measured prior to ordering)
20.7 mm Height (including bracket)
18.2 mm Width (including bracket)

Accessories: **TV Mounting Profile 10000339**
L-Shaped Bracket
Control Gear: **Emergency battery pack for non-maintained purposes**
Colour: N/A
CDM/H&S: Suitable safety precautions to be taken when working at heights
Notes: **Delivered colour temperature 3000K;**
Fitting to be used as a non-maintained 3 hour emergency light at 100% output
Electrical contractor to measure lengths onsite prior to ordering
Linear aluminium mounting profile can be supplied in 2m and 4m lengths
Emergency 3 hour battery pack dimensions: 385mm x 395mm x 105mm
Contractor to use suitable fire rated cable
Emergency fitting to be tested via a key switch
LED indicator to be located adjacent to luminaire, final location and fixing method TBC

Circuit Wattage: 6W/m
Voltage: 24V
Beam Angle: N/A
Colour Kelvin: 3000K delivered
Luminous Flux: 380 lm/m
CRI (Ra) 80



DETAILED LUMINAIRE SCHEDULE

the language of light

Project: Stephenson House – Exterior Lighting
Reference: 0164 – SC2

LUMINAIRE REF:

LIN1 – UPDATED 17.07.20

Manufacturer: LED Linear (supplied by Architectural FX)
Tel: Office: 013 4429 1536 Mobile: 075 8418 8272
Contact: James Hamilton Email: jh@architecturalfx.co.uk

Location: Hampstead Road Facade
Cat. Reference: **KALYPSO TC HD36 W830 / 645MM 10° IP67**
Description: Linear narrow beam wall washer 10° / 3000K / IP67
Dimensions: 645mm length
72mm height
25.5mm width

Accessories: **Custom aluminium extrusion with cowl and adjustable bracket**
Control Gear: Remote driver – DALI dimmable
Colour: Custom aluminium extrusion and brackets to be RAL coloured to match facade pier - RAL 9001
Cream - MBA to confirm finish prior to final order
CDM/H&S: Suitable safety precautions to be taken when working at heights
Notes:

**It is proposed the drivers are located accessibly in the ceiling of the office floorplate.
Multiple fittings can be located on one driver but please ensure only same fitting type
(i.e. same length fittings) are on the same driver to ensure maximum flexibility for
dimming. Refer to manufacturers wiring diagram.**

Maximum Driver Distance Based on 1.5mm CSA Cable: 20m

Maximum Driver Distance Based on 2.5mm CSA Cable: 35m

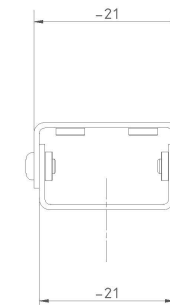
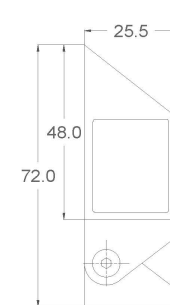
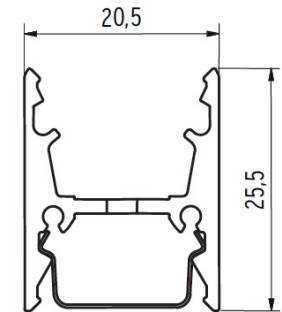
Driver Dimensions: 153mm x 50mm x 23mm

Power Supply Dimensions: 228mm x 68mm x 39mm

Please contact manufacturer for further wiring information

Up to 4 fittings to be located on one power supply and driver

Circuit Wattage: 36W/M
Voltage: 24V
Beam Angle: 10°
Colour Kelvin: 3000K
Luminous Flux: 3050lm/m
CRI (Ra) 80



DETAILED LUMINAIRE SCHEDULE

the language of light

Project: Stephenson House – Exterior Lighting
Reference: 0164 – SC2

LUMINAIRE REF:

LIN2 – UPDATED 17.07.20

Manufacturer: LED Linear (supplied by Architectural FX)
Tel: Office: 013 4429 1536 Mobile: 075 8418 8272
Contact: James Hamilton Email: jh@architecturalfx.co.uk

Location: Hampstead Road Facade
Cat. Reference: **KALYPSO TC HD36 W830 / 393MM 10° IP67**
Description: Linear narrow beam wall washer 10° /3000K / IP67
Dimensions: 393mm length
72mm height
25.5mm width

Accessories: **Custom aluminium extrusion with cowl and adjustable bracket**
Control Gear: Remote driver – DALI dimmable
Colour: Custom aluminium extrusion and brackets to be RAL coloured to match facade pier - RAL 9001
Cream - MBA to confirm finish prior to final order
CDM/H&S: Suitable safety precautions to be taken when working at heights
Notes:

**It is proposed the drivers are located accessibly in the ceiling of the office floorplate.
Multiple fittings can be located on one driver but please ensure only same fitting type
(i.e. same length fittings) are on the same driver to ensure maximum flexibility for
dimming. Refer to manufacturers wiring diagram.**

Maximum Driver Distance Based on 1.5mm CSA Cable: 20m

Maximum Driver Distance Based on 2.5mm CSA Cable: 35m

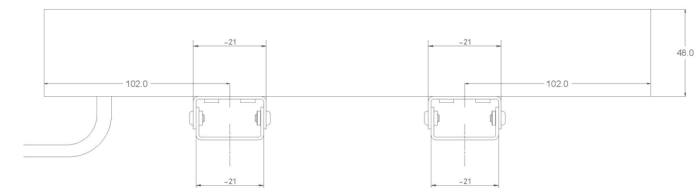
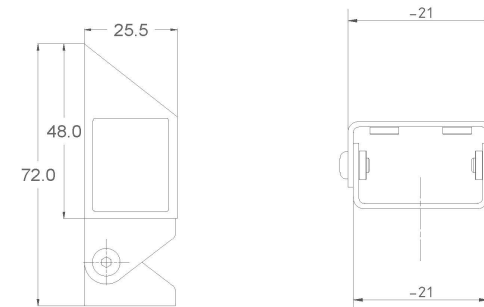
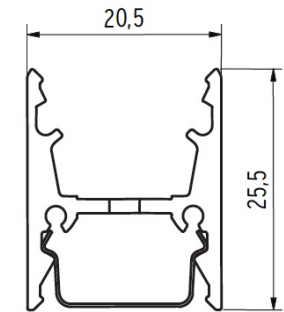
Driver Dimensions: 153mm x 50mm x 23mm

Power Supply Dimensions: 228mm x 68mm x 39mm

Please contact manufacturer for further wiring information

Up to 4 fittings to be located on one power supply and driver

Circuit Wattage: 36W/M
Voltage: 24V
Beam Angle: 10°
Colour Kelvin: 3000K
Luminous Flux: 3050lm/m
CRI (Ra) 80



DETAILED LUMINAIRE SCHEDULE

the language of light

Project: Stephenson House – Exterior Lighting
Reference: 0164 – SC2

LUMINAIRE REF:

LIN3 – UPDATED 17.07.20

Manufacturer: LED Linear (supplied by Architectural FX)
Tel: Office: 013 4429 1536 Mobile: 075 8418 8272
Contact: James Hamilton Email: jh@architecturalfx.co.uk

Location: Hampstead Road Facade
Cat. Reference: **KALYPSO TC HD35 W830 / 1270MM 10° IP67**
Description: Linear narrow beam wall washer 10° / 3000K / IP67
Dimensions: 1270mm length
72mm height
25.5mm width

Accessories: **Custom aluminium extrusion with cowl and adjustable bracket**
Control Gear: Remote driver – DALI dimmable
Colour: Custom aluminium extrusion and brackets to be RAL coloured to match facade pier - RAL 9001 Cream - MBA to confirm finish prior to final order
CDM/H&S: Suitable safety precautions to be taken when working at heights
Notes:

It is proposed the drivers are located accessibly in the ceiling of the office floorplate. Multiple fittings can be located on one driver but please ensure only same fitting type (i.e. same length fittings) are on the same driver to ensure maximum flexibility for dimming. Refer to manufacturers wiring diagram.

Maximum Driver Distance Based on 1.5mm CSA Cable: 12m

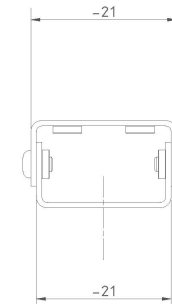
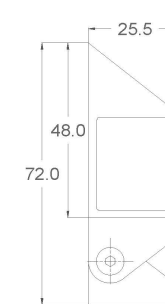
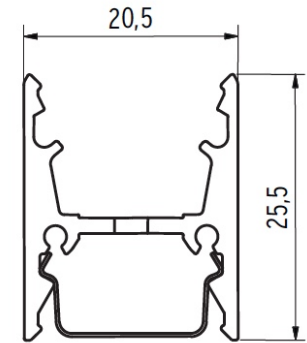
Maximum Driver Distance Based on 2.5mm CSA Cable: 20m

Driver Dimensions: 153mm x 50mm x 23mm

Power Supply Dimensions: 228mm x 68mm x 39mm

Please contact manufacturer for further wiring information

Circuit Wattage: 36W/M
Voltage: 24V
Beam Angle: 10°
Colour Kelvin: 3000K
Luminous Flux: 3050lm/m
CRI (Ra) 80



DETAILED LUMINAIRE SCHEDULE

the language of light

Project: Stephenson House – Exterior Lighting
Reference: 0164 – SC2

LUMINAIRE REF: LIN4 – UPDATED 30.07.21

Manufacturer: Light Graphix
Tel: Office: 01322 527 629
Contact: Mo Arrahman Email: mo@lightgraphix.biz

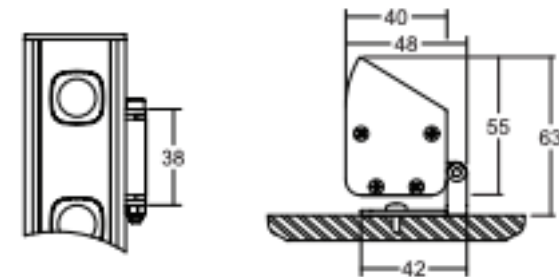
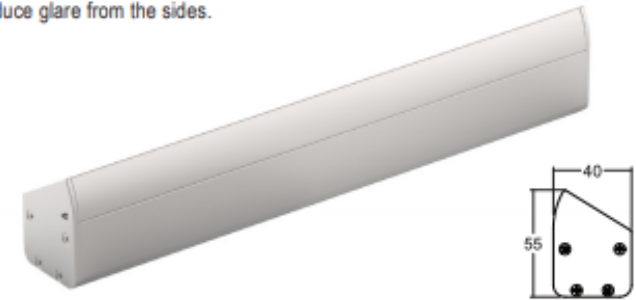
Location: Drummond Street Facade
Cat. Reference: **LD38C/500/LW27/50/OB/RAL/ABM/GLF/DALI/650**
Description: Surface mounted linear LED with lensed optics, cowl and adjustable mounting bracket
Dimensions: 650mm length
63mm height
40mm width

Accessories: **Adjustable mounting bracket**
Control Gear: Remote driver - DALI dimming
Colour: Fitting and brackets to be RAL coloured 1035 Pearl Beige
CDM/H&S: Suitable safety precautions to be taken when working at heights
Notes: **It is proposed the drivers are located accessibly in the ceiling of the office floorplate. Multiple fittings can be located on one driver but please ensure only same fitting type (i.e. same length fittings) are on the same driver to ensure maximum flexibility for dimming.**
Driver Dimensions based on 4 output DALI driver:388mm(L)x42mm(H)x30mm(W)
Maximum Driver Distance based on 4 output DALI driver using 8 core cable: 30m
Upto 4 fittings can be located on a 4 output DALI driver
Please contact manufacturer prior to electrical installation for detailed advice on cabling

Circuit Wattage: 22.1W
Voltage: 3.2V
Beam Angle: 12°x36° Oval beam
Colour Kelvin: 2700K
Luminous Flux: 2960lm/m
CRI (Ra) 93

LD38C

Integrated linear anti-glare cowl. Supplied with special end caps to further reduce glare from the sides.



DETAILED LUMINAIRE SCHEDULE

the language of light

Project: Stephenson House – Exterior Lighting
Reference: 0164 – SC2

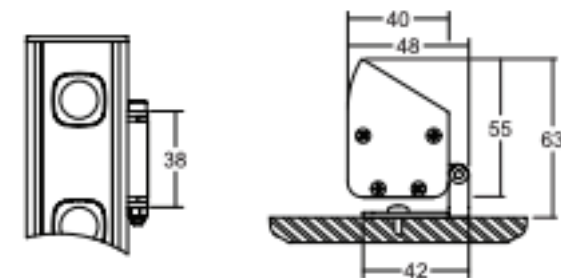
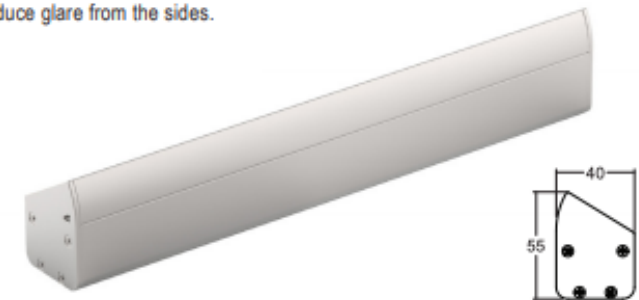
LUMINAIRE REF:

LIN5 - UPDATED 30.07.21

Manufacturer:	Light Graphix
Tel:	Office: 01322 527 629
Contact:	Mo Arrahman Email: mo@lightgraphix.biz
Location:	Drummond Street Facade
Cat. Reference:	LD38C/500/LW27/50/OB+EOB/RAL/ABM/GLF/DALI/400
Description:	Surface mounted linear LED with lensed optics, cowl and adjustable mounting bracket
Dimensions:	400mm length 63mm height 40mm width
Accessories:	Adjustable mounting bracket
Control Gear:	Remote driver - DALI dimming
Colour:	Fitting and brackets to be RAL coloured 1035 Pearl Beige
CDM/H&S:	Suitable safety precautions to be taken when working at heights
Notes:	It is proposed the drivers are located accessibly in the ceiling of the office floorplate. Multiple fittings can be located on one driver but please ensure only same fitting type (i.e. same length fittings) are on the same driver to ensure maximum flexibility for dimming. Fitting to be made up of oval beam on left hand side and extra oval beam at right hand side (if fitting is facing the façade) as per the Pearl Beige mock-up sample. Driver Dimensions based on 4 output DALI driver:388mm(L)x42mm(H)x30mm(W) Maximum Driver Distance based on 4 output DALI driver using 8 core cable: 30m Upto 4 fittings can be located on a 4 output DALI driver Please contact manufacturer prior to electrical installation for detailed advice on cabling
Circuit Wattage:	13.6W
Voltage:	3.2V
Beam Angle:	12°x36° Oval beam + 15°x60° Extra Oval beam
Colour Kelvin:	2700K
Luminous Flux:	2960lm/m
CRI (Ra)	93

LD38C

Integrated linear anti-glare cowl. Supplied with special end caps to further reduce glare from the sides.



DETAILED LUMINAIRE SCHEDULE

the language of light

Project: Stephenson House – Exterior Lighting
Reference: 0164 – SC2

LUMINAIRE REF: LIN6 – UPDATED 30.07.21

Manufacturer: Light Graphix
Tel: Office: 01322 527 629
Contact: Mo Arrahman Email: mo@lightgraphix.biz

Location: Drummond Street Facade
Cat. Reference: **LD38C/500/LW27/50/OB/RAL/ABM/GLF/DALI/1300**
Description: Surface mounted linear LED with lensed optics, cowl and adjustable mounting bracket
Dimensions: 1300mm length
63mm height
40mm width

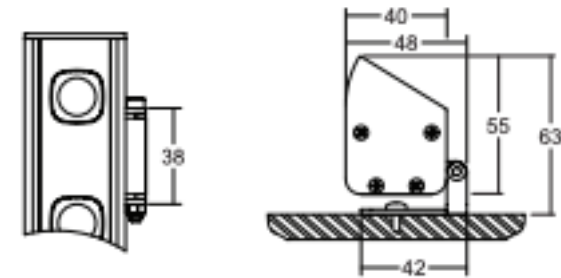
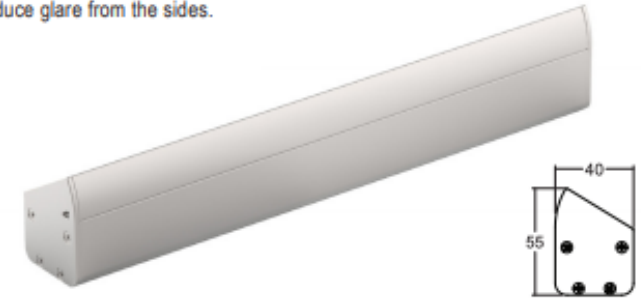
Accessories: **Adjustable mounting bracket**
Control Gear: Remote driver - DALI dimming
Colour: Fitting and brackets to be RAL coloured 1035 Pearl Beige
CDM/H&S: Suitable safety precautions to be taken when working at heights
Notes: **It is proposed the drivers are located accessibly in the ceiling of the office floorplate. Multiple fittings can be located on one driver but please ensure only same fitting type (i.e. same length fittings) are on the same driver to ensure maximum flexibility for dimming.**
Driver Dimensions based on 4 output DALI driver: 388mm(L)x42mm(H)x30mm(W)
Maximum Driver Distance based on 4 output DALI driver using 8 core cable: 30m
Please contact manufacturer prior to electrical installation for detailed advice on cabling

Circuit Wattage: 44.2W
Voltage: 3.2V
Beam Angle: 12°x36° Oval beam

Colour Kelvin: 2700K
Luminous Flux: 2960lm/m
CRI (Ra) 93

LD38C

Integrated linear anti-glare cowl. Supplied with special end caps to further reduce glare from the sides.



DETAILED LUMINAIRE SCHEDULE

Project: Stephenson House – Exterior Lighting
Reference: 0164 – SC2

LUMINAIRE REF: SP3 – UPDATED 21.05.21

Manufacturer: Light Graphix
Tel: Office: 01322 527 629
Contact: Mo Arrahman Email: mo@lightgraphix.biz

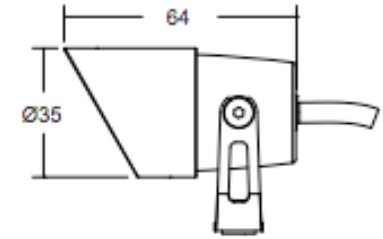
Location: Exterior terrace gardens
Cat. Reference: **LD51-700 / LW30 / MB / GS / CO / BLACK**
Description: Miniature spotlight/ 31° / 3000K / IP67
Dimensions: 64 mm length
35 mm height
35 mm width
Dimensions exclude ground spike

Accessories: **CO – Cowl, GS – Ground Spike**
Control Gear: Remote driver / DALI
Colour: Black anodised
CDM/H&S: -
Notes:

Multiple fittings (13 no. max) to be powered by one driver.
Driver Dimensions: 210mm(L)x33.5mm(H)x40.4mm(W)
Maximum Driver Distance: 50m
Driver to be housed in IP rated box if located in exterior location, please refer to drawings for information on driver locations

Circuit Wattage: 2.4W
Voltage: 700mA
Beam Angle: 31°
Colour Kelvin: 3000K
Luminous Flux: 174 lm
CRI (Ra) 93

the language of light



DETAILED LUMINAIRE SCHEDULE

Project: Stephenson House – Exterior Lighting
Reference: 0164 – SC2

the language of light

LUMINAIRE REF: SP4 – UPDATED 21.05.21

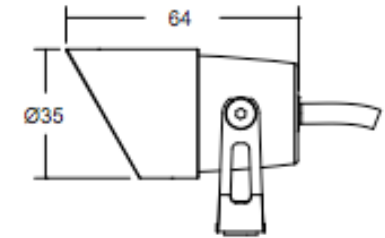
Manufacturer: Light Graphix
Tel: Office: 01322 527 629
Contact: Mo Arrahman Email: mo@lightgraphix.biz

Location: Exterior terrace gardens
Cat. Reference: **LD51-500 / LW30 / WB / GS / CO / BLACK**
Description: Miniature spotlight/ 48° / 3000K / IP67
Dimensions: 64 mm length
35 mm height
35 mm width
Dimensions exclude ground spike

Accessories: **CO – Cowl, GS – Ground Spike**
Control Gear: Remote driver / DALI
Colour: Black anodised
CDM/H&S: -
Notes:

Multiple fittings (14 no. max) to be powered by one driver.
Driver Dimensions: 210mm(L)x33.5mm(H)x40.4mm(W)
Maximum Driver Distance: 50m
Driver to be housed in IP rated box if located in exterior location, please refer to drawings for information on driver locations

Circuit Wattage: 2.2W
Voltage: 500mA
Beam Angle: 48°
Colour Kelvin: 3000K
Luminous Flux: 130 lm
CRI (Ra) 93



DETAILED LUMINAIRE SCHEDULE

Project: Stephenson House – Exterior Lighting
Reference: 0164 – SC2

the language of light

LUMINAIRE REF: SP6 – UPDATED 21.05.21

Manufacturer: Light Graphix
Tel: Office: 01322 527 629
Contact: Mo Arrahman Email: mo@lightgraphix.biz

Location: Exterior terrace gardens
Cat. Reference: **LD51-700 / LW30 / WB / GS / CO / BLACK**
Description: Miniature spotlight/ 48° / 3000K / IP67
Dimensions: 64 mm length
35 mm height
35 mm width
Dimensions exclude ground spike

Accessories: **CO – Cowl, GS – Ground Spike**

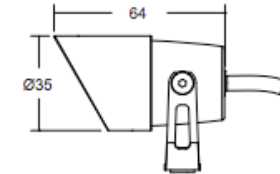
Control Gear: Remote driver / DALI

Colour: Black anodised

CDM/H&S: -

Notes: **Multiple fittings (13 no. max) to be powered by one driver.**
Driver Dimensions: 210mm(L)x33.5mm(H)x40.4mm(W)
Maximum Driver Distance: 50m
Driver to be housed in IP rated box if located in exterior location, please refer to drawings for information on driver locations

Circuit Wattage: 2.4W
Voltage: 700mA
Beam Angle: 48°
Colour Kelvin: 3000K
Luminous Flux: 174 lm
CRI (Ra) 93



DETAILED LUMINAIRE SCHEDULE

Project: Stephenson House – Exterior Lighting
Reference: 0164 – SC2

the language of light

LUMINAIRE REF:

SP7 – UPDATED 21.05.21

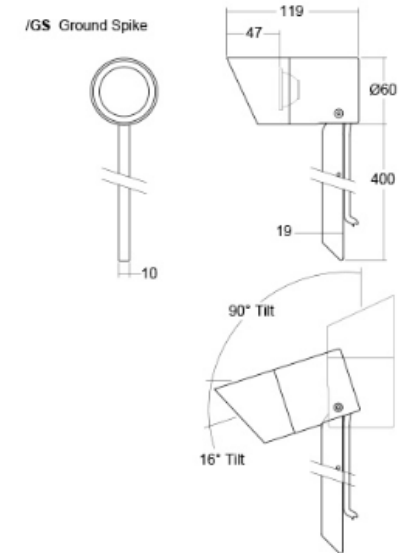
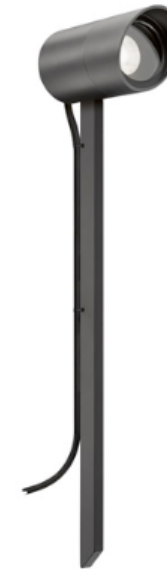
Manufacturer: Light Graphix
Tel: Office: 01322 527 629
Contact: Mo Arrahman Email: mo@lightgraphix.biz

Location: Exterior terrace gardens
Cat. Reference: **LD10238-500 / LW30 / WB / GS / BLACK**
Description: Spotlight/ 34° / 3000K / IP67
Dimensions: 119 mm length
60 mm height
60 mm width
Dimensions exclude ground spike

Accessories: **GS – Ground Spike**
Control Gear: Remote driver / DALI
Colour: Black anodised
CDM/H&S: -
Notes:

Multiple fittings (4 no. max) to be powered by one driver.
Driver Dimensions: 210mm(L)x33.5mm(H)x40.4mm(W)
Maximum Driver Distance: 50m
Driver to be housed in IP rated box if located in exterior location, please refer to drawings for information on driver locations

Circuit Wattage: 7W
Voltage: 500mA
Beam Angle: 34°
Colour Kelvin: 3000K
Luminous Flux: 474 lm
CRI (Ra) 85



DETAILED LUMINAIRE SCHEDULE

the language of light

Project: Stephenson House – Exterior Lighting
Reference: 0164 – SC2

LUMINAIRE REF: **WL4E –UPDATED 21.05.21**

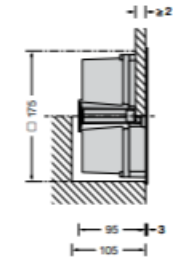
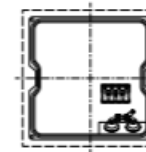
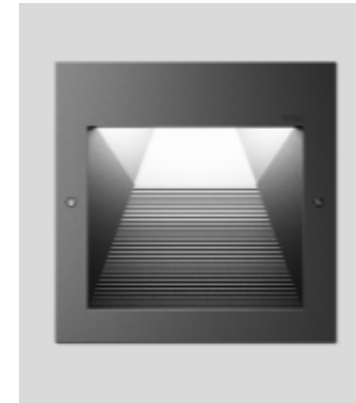
Manufacturer: Bega (supplied by Fagerhult)
Tel: Office: 020 7403 4123 Mobile: 075 8550 9782
Contact: Sam Ashdown Email: sam.ashdown@fagerhult.co.uk

Location: Level 7 Terrace
Cat. Reference: **24211K3 (RAL)**
Description: Recessed wall light / 3000K / IP65
Dimensions: Length 190 mm
Width 190 mm
Depth (Excluding emergency battery pack) 105 mm
Required recessed opening 175 mm x 175 mm

Accessories: **3-hour emergency battery pack**
Control Gear: Integral DALI dimming for architectural use, remote 3hour emergency battery pack in IP rated box
Colour: RAL coloured to Pearl Beige RAL 1035
CDM/H&S: -
Notes:

Architectural luminaire to be used as a maintained emergency fitting and to be supplied with remote 3 hour emergency battery pack. Level 7 emergency lighting to be tested via a key switch, GLP to locate key switch.
Emergency battery pack to be within 1m of luminaire, it is suggested battery pack is located within IP rated box and fits within parapet wall void, Permasteelisa to confirm.
Architectural DALI driver to form part of the Lutron control system, to allow the fitting to be used at night as terrace lighting as well as in an emergency situation
Size of IP rated box for emergency battery pack: 190mm (L) x 140mm (W) x 70mm (H)
Emergency LED indicator diode to be integral to luminaire

Circuit Wattage: 6.9 W
Voltage: 220-240 V
Beam Angle: N/A
Colour Kelvin: 3000K
Luminous Flux: 566 lm
CRI (Ra) 80



DETAILED LUMINAIRE SCHEDULE

the language of light

Project: Stephenson House – Exterior Lighting
Reference: 0164 – SC2

LUMINAIRE REF:

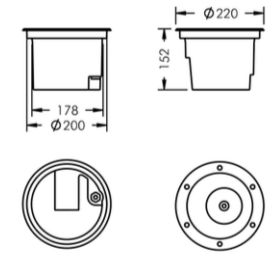
U2

Manufacturer: Meyer supplied by Commercial Lighting
Tel: Office: 020 8442 0880 Mobile: 07971663060
Contact: Howard Lawrence Email: howard@commercial-lighting.co.uk

Location: Pocket Garden Balconies
Cat. Reference: **UPLIGHT 220 - 8 663 016 148**
Description: Adjustable inground uplight / 30° / 3000K / IP68
Dimensions: 152mm Depth
220mm Diameter
Recess cut-out: 200mm Diameter

Accessories: -
Control Gear: Integral driver / DALI dimming
Colour: Black housing with stainless steel bezel
CDM/H&S: -
Notes:

Circuit Wattage: 19W
Voltage: 230V
Beam Angle: 30°
Colour Kelvin: 3000K
Luminous Flux: 1640 lm
CRI (Ra) 80





The Boathouse
The Embankment
London, SW15 1LB

+44 (0)20 8780 9006
mail@studio29lighting.com

studio29lighting.com

