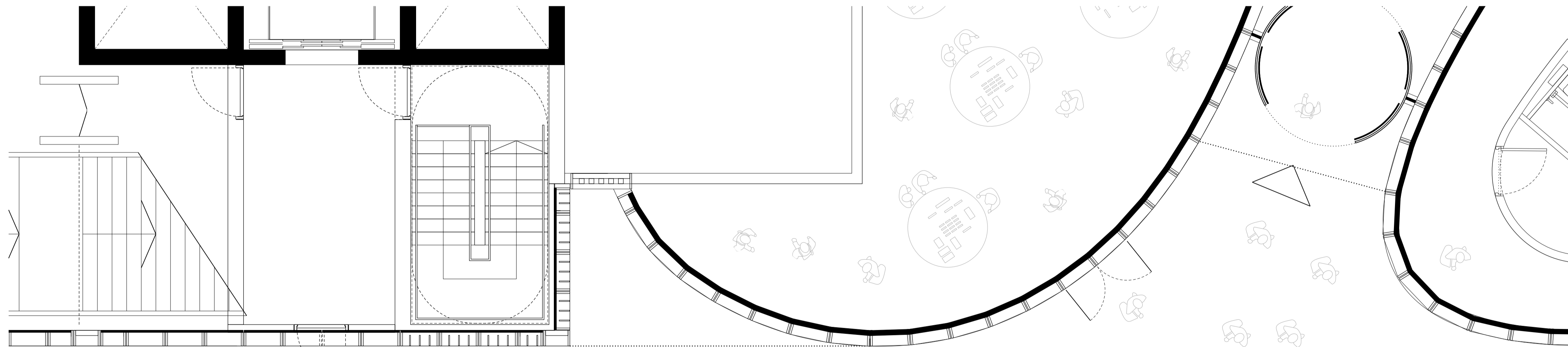
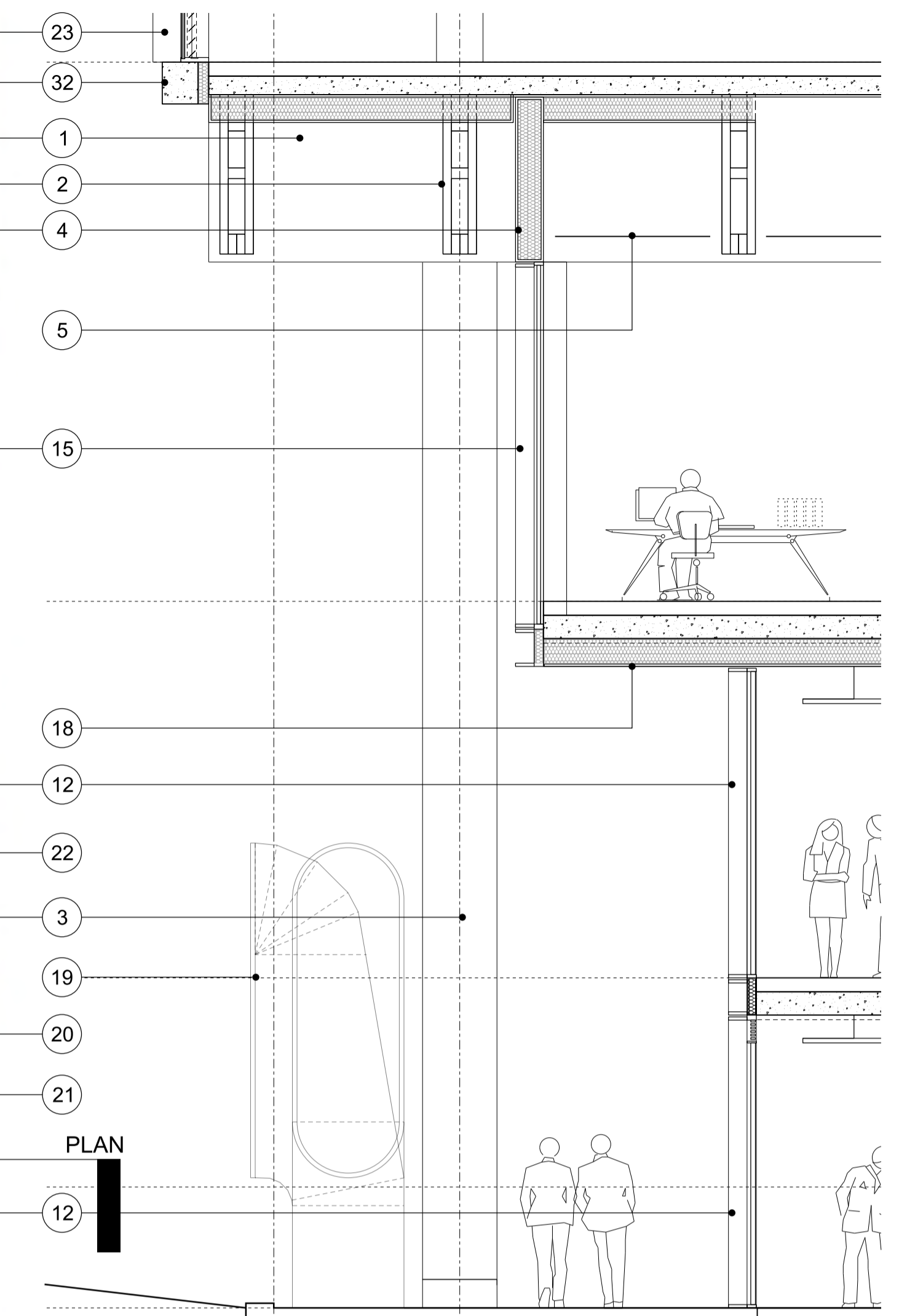




1  
1401  
ELEVATION  
1:50  
19 16 14 16 20



2  
1401  
PLAN  
1:50



3  
1401  
SECTION  
1:50

**MATERIAL DESCRIPTION**

**TRANSFER STRUCTURE**

1. Coloured concrete
2. Timber secondary trusses with stainless steel tension rods and fixings
3. RC columns with expressed, painted, permanent steel formwork
4. Back painted glass insulated infill panel
5. Mesh infill ceiling panel

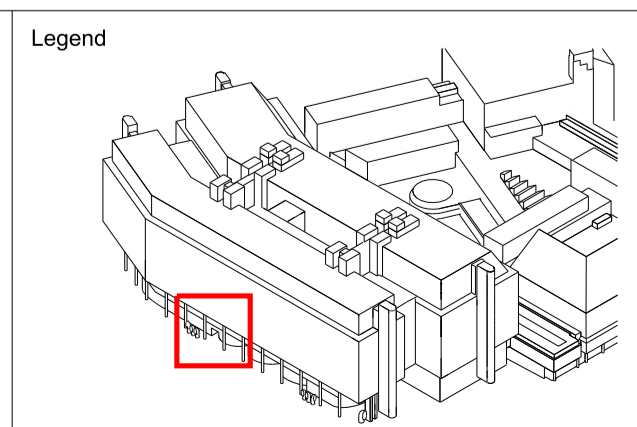
**CLADDING LOWER LEVELS**

12. Anodised aluminium double glazed unitised cladding system at 750mm centres
13. Anodised aluminium unitised cladding system at 750mm centres
14. Anodised aluminium double glazed unitised cladding system at 750mm centres w. vertical ribs
15. Anodised aluminium double glazed unitised cladding system at 3m centres
16. Anodised aluminium unitised cladding system with vertical ribs with weathering louvre behind
17. Anodised aluminium unitised cladding system with vertical ribs at 3m centres
18. Anodised aluminium insulated soffit panel
19. Painted steel air intake/extract trumps
20. Integrated horizontal louvre to retail units paint finish
21. Circular glazed motorised sliding entrance lobby
22. Double glazed unit

**CLADDING UPPER LEVELS**

23. CCF system at 1.5m centres with dark green anodised/ppc finish aluminium fins and solid red pigmented GRC infill (East/South/West)
24. DGU at 1.5m centres with dark green anodised/ppc finish aluminium fins and solid openable vent red pigmented GRC (North)
25. DGU at 1.5m centres and solid openable vent (North)
26. CCF system at 1.5m centres with flush outer face, horizontal articulation only (South)
27. CCF system at 2.5m centres with expressed panel articulation solid infills. (East/West)
28. Plant room louvre panel
29. Glazed doors to terrace
30. Balustrade with mesh infill, integrated parapet, stainless steel uprights and GRC capping
31. Balustrade with mesh infill, integrated parapet, stainless steel uprights and metal capping
32. Coloured glass reinforced concrete spandrel

Revision	Date	Description
00	24-09-2021	For Planning Application



**Drawing Purpose**  
FOR PLANNING APPLICATION

Drawn by RSHP	Checked by RSHP	Authorised by RSHP
------------------	--------------------	-----------------------

Do not scale from drawing. The author of this drawing takes no responsibility for any dimensions obtained by measuring or scaling from this drawing and no reliance may be placed on such dimensions. If no dimension is given, it is the responsibility of the recipient to ascertain the dimension specifically from the author or by site measurement.  
The sizing of all structural and service elements must always be checked against the relevant engineers' drawings. No reliance should be placed upon sizing information shown on this drawing.

This drawing has been prepared at a preliminary stage of the design. It is indicative and illustrative only and has not been developed in detail. Further development of the design and clarification of design assumptions will result in changes and RSHP do not undertake any responsibility that this drawing will represent the final construction.

Project <b>BRITISH LIBRARY</b>	Drawing Title © copyright Rogers Stirk Harbour + Partners, all rights reserved 2021 <b>DETAILED BAY TYPICAL NORTH LOWER LEVELS</b>	
Contact Rogers Stirk Harbour + Partners	Scale @ A1 1:50	Drawing Number RSHP-P-1401-D-X
The Leadenhall Building 122 Leadenhall Street London EC3V 4AB	tel: 020 7385 1235 fax: 020 7385 8409 email: J11010@rsh-p.com www.rsh-p.com	Drawing Date 24-09-2021
	Revision Date -	Revision 00